

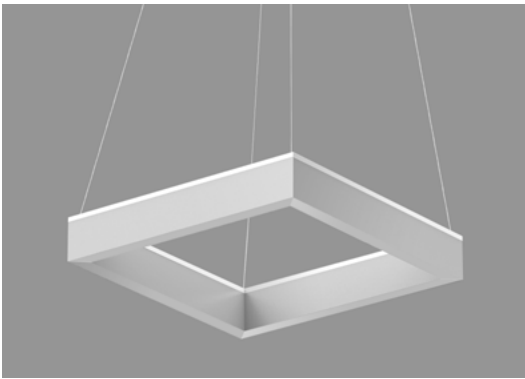
# FORTEX 4 LED

PENDANT



**LUMENWERX**  
WWW.LUMENWERX.COM

## INDIRECT



PROJECT: \_\_\_\_\_

TYPE: \_\_\_\_\_

NOTES: \_\_\_\_\_

### DESCRIPTION

**Fortex 4** is a series of distinctive and elegantly scaled rectangular pendants ideal for spaces such as conference rooms, executive offices, break rooms, cafeterias, vestibules and lobbies. Fortex 4 pendants consist of crisp 3.75" x 1.5" extruded aluminum sides, capped by a gently glowing optic that extends 0.5" beyond the housing. Corners are mitered and fully luminous. Fortex coordinates with Via 1.5 Plus linear luminaires.

**up to 102 lm/w performance**

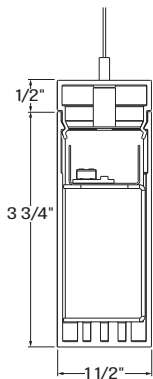
### ORDER GUIDE

FOR4PI		HLO	LED				
LUMINAIRE ID	SIZE	OPTICS	LIGHT SOURCE	CRI	INDIRECT LUMEN PACKAGES	COLOR TEMP.	VOLTAGE
FOR4PI - fortex 4 pendant indirect	22 - 2'x2' 33 - 3'x3' 44 - 4'x4' 14 - 1'x4' 24 - 2'x4'	HLO - High-Efficiency Lambertian Optic	LED - high performance LED	80 - 80CRI 90 - 90CRI	200 - min. ultra low output 200lm/ft 400 - low output 400lm/ft 500 - medium output 500lm/ft 750 - max. high output 750lm/ft #### - other required lm/ft	27 - 2700k 30 - 3000k 35 - 3500k 40 - 4000k	120 - 120V 277 - 277V UNV - 120V-277V

DRIVER	ELECTRICAL	MOUNTING	FINISH	OPTIONS
D1 - 1% dimming 0-10V DA - Dali LTEA2W - Lutron 1% - 2 wire FF 120V LDE1 - Lutron Hi-lume 1% Eco LDE5 - Lutron 5% EcoSystem	1 - 1 circuit	5SWAC## - 5" square white canopy For Fortex 2x2 minimum length 20" For Fortex 3x3 minimum length 33" For Fortex 4x4 minimum length 45" For Fortex 1x4 minimum length 33" For Fortex 2x4 minimum length 38" <a href="#">For all other options refer to our Pendant Mounting Guide</a>	W - matte white AL - aluminum CF# - custom finish specify RAL#	CU - custom

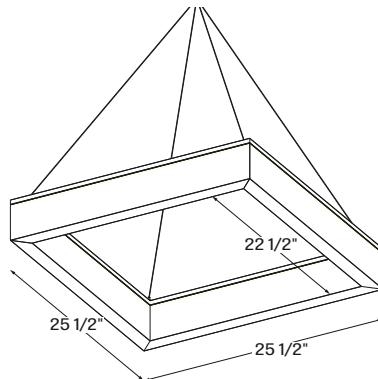
See page 2 for ordering code detailed information

### SECTION VIEW



FOR4PI

### 3D VIEW



FOR4PI - 2'x2'

### OPTICS



HLO - High-efficiency Lambertian Optic



# FORTEX 4 LED

PENDANT

## INDIRECT

### OPTICS

**HIGH EFFICIENCY LAMBERTIAN OPTIC (HLO)** - Matte white side reflectors combined with High-Efficiency Lambertian Optic (HLO) shielding of diffusing 0.075" thick acrylic with up to 88% transmission and good source obscuration. Luminaire brightness is controlled by the flux-to-shielding area ratio.

### LIGHT SOURCE - LED

Custom linear array of mid-flux LED's are cartridge-mounted with quick-connect wiring to facilitate service and thermal management. Available in 3000K, 3500K and 4000K with a minimum 80 CRI and an option for 90 CRI with elevated R9 value. Color consistency maintained to within 3 SDCM. LEDs operated at reduced drive current to optimize efficacy and lumen maintenance.

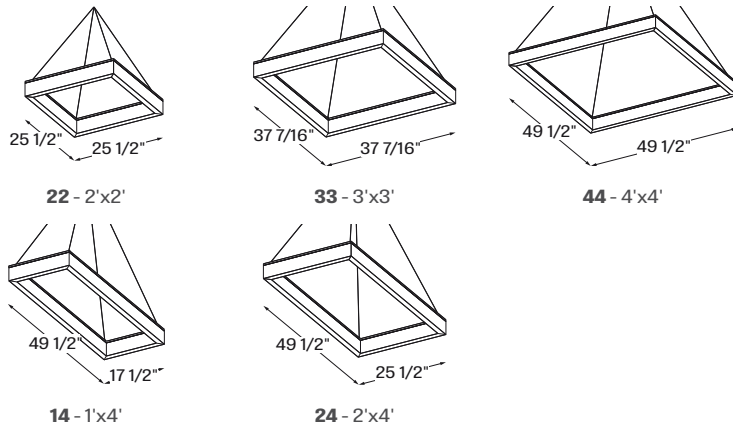
All LEDs have been tested in accordance with IESNA LM-80-08 and the results (following TM-21) have shown L80 lumen maintenance greater than 60,000 hours. Absolute luminaire photometry is measured and presented in accordance with IESNA LM-79, unless otherwise indicated.

### PERFORMANCE PER 1' AT 4000K

LED output	Color Temp	Watts	Nominal Delivered Lumens	Efficacy LPW
ultra low output	4000K	2	200	104
low output	4000K	4	400	102
medium output	4000K	5	500	102
high output	4000K	7.5	750	102

### LUMINAIRE SIZE

Fortex 4 is offered in 5 standard sizes.



### ELECTRICAL

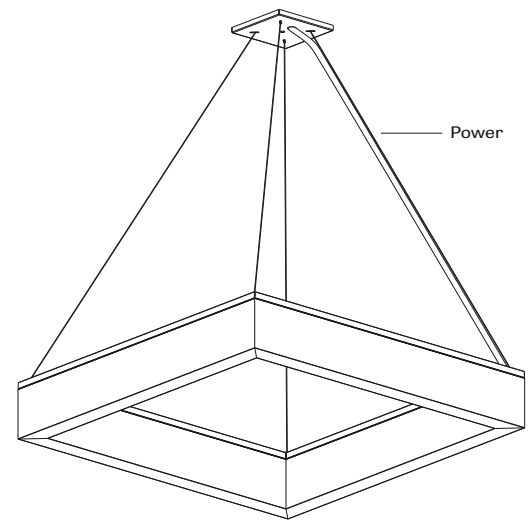
Factory-set, adjustable output current LED driver with universal (120-277VAC) input. Dimmable from 100% to 1% with 0-10V dimming control. Rated life (90% survivorship) of 50,000 hours at 50°C max. ambient (and 70°C max. case) temperature. At maximum driver load: Efficiency>84%, PF>0.9, THD<20%. Other specifiable options include Lutron Hi-Lume 1% (specify 2-wire, or Ecosystem Dim-to-Off), Lutron 5-Series (5% Ecosystem), DMX (RDM compatible) and DALI protocol drivers. All of our standard 0-10V drivers are NEMA 410 compliant.

### MOUNTING OPTIONS

Fortex 4 mounts from a 5" square canopy using four aircraft cables. The minimum length varies as per fixture sizes to avoid lens interference. Canopy installation determines luminaire alignment.

- 5SAC22# - 5" square canopy - minimum height 20"
- 5SAC33# - 5" square canopy - minimum height 33"
- 5SAC44# - 5" square canopy - minimum height 45"
- 5SAC14# - 5" square canopy - minimum height 33"
- 5SAC24# - 5" square canopy - minimum height 38"

[For all other options, see our website for a detailed Pendant Mounting Guide](#)



### FINISH

**Interior** - 95%, reflective matte powder coated white paint

**Exterior** - matte white or aluminum powder coating. Custom finishes are also available.

### CONSTRUCTION

**Housing** - Extruded Aluminum (0.095" nominal) up to 90% Recycled Content

**Interior brackets** - Die formed cold rolled sheet steel 18 gauge thick

**Reflectors** - Cold rolled steel 0.024" thick precisely die formed, 95% reflective matte white painted

**Hanger** - Chromed Griplock securely attached with spring steel hardware in end caps and/or joiners

**Air craft cable suspension** - 7x7 braids Aluminum air craft cable 0.06" thick

# FORTEX 4 LED

PENDANT

## INDIRECT

### WEIGHT

**Fortex 4 - 22** - 13.74lbs - 6.23kg

**Fortex 4 - 33** - 19.11lbs - 8.67kg

**Fortex 4 - 44** - 24.55lbs - 11.14kg

**Fortex 4 - 14** - 17.09lbs - 7.75kg

**Fortex 4 - 24** - 18.86lbs - 8.55kg

### CERTIFICATIONS

**ETL** - Rated for Indoor Dry/Damp locations. Conforms to UL Standard 1598 and certified to CAN/CSA Standard C22.2 No. 250.0.

### WARRANTY

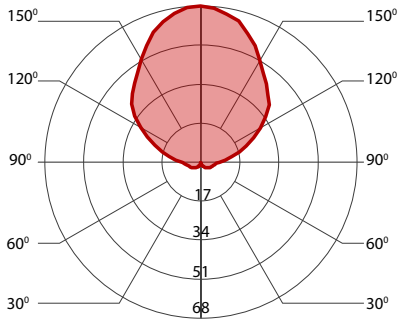
LumenWerx provides a five-year limited warranty of electrical and mechanical performance of the luminaires, including the LED boards, drivers, and auxiliary electronics. LumenWerx will repair or replace defective luminaires or components at our discretion, provided they have been installed and operated in accordance with our specifications. Other limitations apply, please refer to the full warranty on our website.

# FORTEX 4 LED

PENDANT

**INDIRECT**

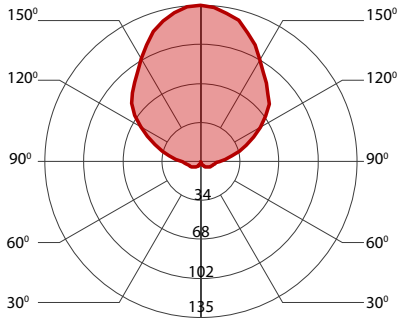
## 200 LUMEN AT 80CRI - ULTRA LOW OUTPUT



### PERFORMANCE PER 1'

LED output	Color Temp	Watts	Nominal Delivered Lumens	Efficacy LPW
ultra low output	3000K	2	200	98
ultra low output	3500K	2	200	101
ultra low output	4000K	2	200	104

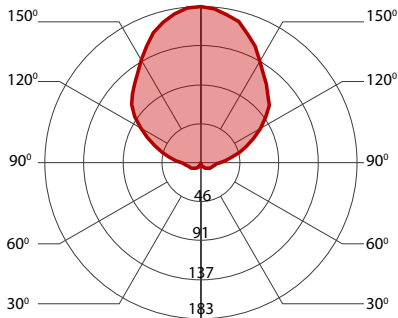
## 400 LUMEN AT 80CRI - LOW OUTPUT



### PERFORMANCE PER 1'

LED output	Color Temp	Watts	Nominal Delivered Lumens	Efficacy LPW
low output	3000K	4	400	96
low output	3500K	4	400	99
low output	4000K	4	400	102

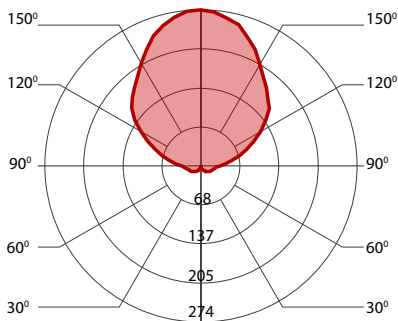
## 500 LUMEN AT 80CRI - MEDIUM OUTPUT



### PERFORMANCE PER 1'

LED output	Color Temp	Watts	Nominal Delivered Lumens	Efficacy LPW
medium output	3000K	5	500	96
medium output	3500K	5	500	99
medium output	4000K	5	500	102

## 750 LUMEN AT 80CRI - HIGH OUTPUT



### PERFORMANCE PER 1'

LED output	Color Temp	Watts	Nominal Delivered Lumens	Efficacy LPW
high output	3000K	8	750	96
high output	3500K	7.5	750	99
high output	4000K	7.5	750	102