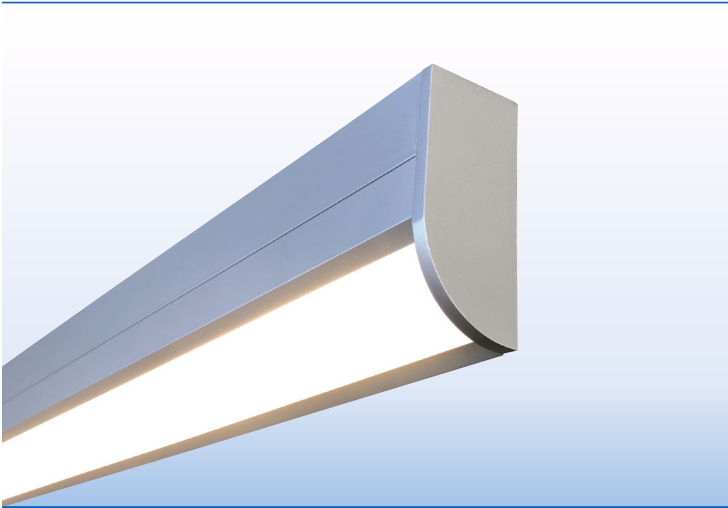
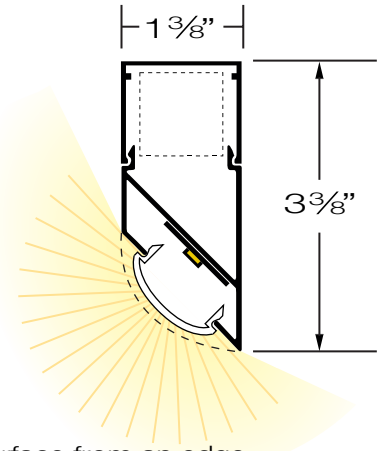


## HIGH PERFORMANCE 45° ASYMMETRIC



|          |
|----------|
| PROJECT: |
| TYPE:    |



Asento asymmetric fixtures are specifically designed to illuminate a flat surface from an edge.

### SPECIFICATIONS

|                      |   |
|----------------------|---|
| <b>HOUSING</b>       | Extruded aluminum housing up to 12' long. Continuous runs available.    |
| <b>FINISH</b>        | Satin anodized or white paint finish standard. Custom finish optional.  |
| <b>LENS</b>          | Extruded DR acrylic, snap-on frosted widespread lens.                   |
| <b>LED DRIVER</b>    | Integral, universal voltage; 0-10V dimming standard; 1% or 10% dimming. |
| <b>MOUNTING</b>      | Cable Suspended and Surface Mount; See page 2 and 3 for details.        |
| <b>LED's</b>         | 60,000 hours. (L70), High uniformity, 85 CRI, by Nichia and Cree.       |
| <b>CERTIFICATION</b> | ETL/CSA listed for damp locations. LM79  2001431  MADE IN THE USA       |

### LED COLOR & LUMEN OPTIONS

| LED COLOR   | CRI | LUMENS PER FOOT - WATTS PER FOOT - LUMENS PER WATT |          |         |          |          |         |           |           |         |
|-------------|-----|--|----------|---------|----------|----------|---------|-----------|-----------|---------|
|             |     | LOW  |          |         | MEDIUM   |          |         | HIGH      |           |         |
| WHITE 2700K | 85  | 458 L/FT   | 3.9 W/FT | 117 L/W | 850 L/FT | 7.9 W/FT | 107 L/W | 1149 L/FT | 11.5 W/FT | 100 L/W |
| WHITE 3000K | 85  | 474 L/FT   | 3.9 W/FT | 121 L/W | 878 L/FT | 7.9 W/FT | 111 L/W | 1187 L/FT | 11.5 W/FT | 103 L/W |
| WHITE 3500K | 85  | 487 L/FT   | 3.9 W/FT | 124 L/W | 903 L/FT | 7.9 W/FT | 114 L/W | 1221 L/FT | 11.5 W/FT | 106 L/W |
| WHITE 4000K | 85  | 497 L/FT   | 3.9 W/FT | 126 L/W | 920 L/FT | 7.9 W/FT | 116 L/W | 1244 L/FT | 11.5 W/FT | 108 L/W |

Values include .85 driver efficiency factor. Higher lumen packages available.

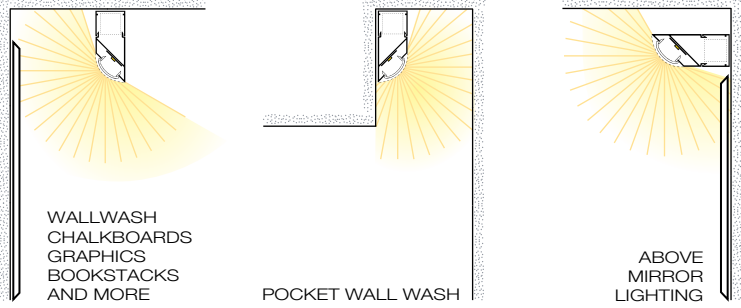
### FIXTURE LENGTHS

| NOMINAL LENGTH | 2'  | 3'  | 4'  | 5'  | 6'  | 7'  | 8'  | 9'   | 10'  | 11'  | 12'  |
|----------------|-----|-----|-----|-----|-----|-----|-----|------|------|------|------|
| ACTUAL LENGTH  | 23" | 34" | 49" | 56" | 73" | 89" | 97" | 112" | 121" | 134" | 145" |

### PART NUMBER

| SERIES | LUMENS   | LED COLOR | VOLTS     | MOUNTING               | ENDCAP STYLE         | FINISH   | LENGTH |
|--------|--|-----------|-----------|------------------------|----------------------|----------|--------|
| AS1    | L LOW  | 27K 2700K | UNV       | <u>CABLE SUSPENDED</u> | <u>STANDARD</u>      | S SATIN  | 2' 8"  |
|        | M MEDIUM   | 3K 3000K  | (120/277) | SK36 36" CABLE KIT     | SEB BLANK ENDS       | W WHITE  | 3' 9"  |
|        | H HIGH   | 35K 3500K | 10% DIM   | SK48 48" CABLE KIT     | SEK ONE END K/O      | C CUSTOM | 4' 10" |
|        | CP CUSTOM PROGRAMMED (Specify Lumens/FT or Watts/FT) | 4K 4000K  | UNV 1%    | SK72 72" CABLE KIT     | SBEK BOTH ENDS K/O   |          | 5' 11" |
|        |  |           | (120/277) | <u>SURFACE MOUNT</u>   | <u>ARCHITECTURAL</u> |          | 6' 12" |
|        |  |           | 1% DIM    | SM SURFACE MOUNT       | AEB BLANK ENDS       |          | 7'     |
|        |  |           |           | JBP J BOX PLATE        |                      |          |        |

## SURFACE MOUNT

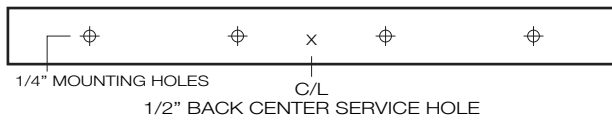


WALLWASH  
CHALKBOARDS  
GRAPHICS  
BOOKSTACKS  
AND MORE

POCKET WALL WASH

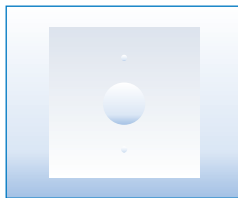
ABOVE  
MIRROR  
LIGHTING

### MOUNTING DETAILS

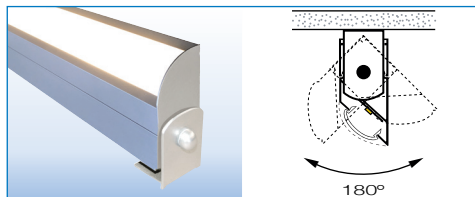


- 1/4" Mounting holes provided evenly spaced on back channel.
- 1/2" Back center service hole for snap-in connector provided for surface mount applications when using standard blank endcap or architectural endcap.
- 2' fixtures require off center service hole due to 12" driver

Note: Narrow housing will not cover recessed J Box. Whip feed recommended. Use optional "JBP" canopy plate for J-Box mount. (See Picture Below)

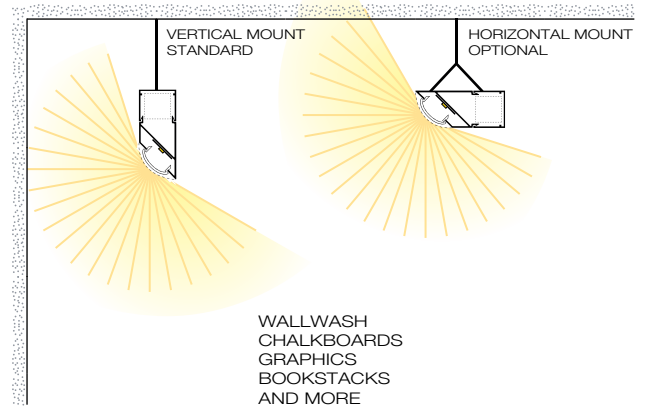


**JBP - J BOX PLATE**  
5" FLAT CANOPY PLATE TO COVER J-BOX



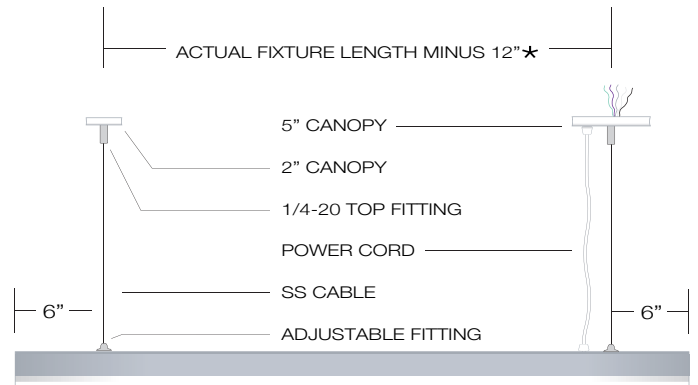
**AM - ADJUSTABLE MOUNT**  
ADJUSTABLE END BRACKETS 3' CORD STANDARD (8' FIXTURE MAX.)

## CABLE SUSPENDED



WALLWASH  
CHALKBOARDS  
GRAPHICS  
BOOKSTACKS  
AND MORE

### MOUNTING DETAILS

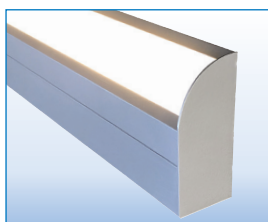


- SK36** 36" Suspension Kit
  - SK48** 48" Suspension Kit
  - SK72** 72" Suspension Kit
- Other cable lengths available.

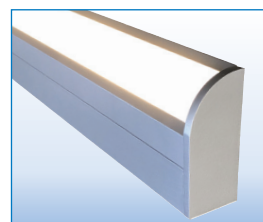
Suspension Kit includes:  
(2) Top Fittings for 1/4-20 Rod  
(2) Adjustable Bottom Fittings  
(2) Aircraft Cables  
(1) Prewired 18/5 White SVT Cord  
(1) White Canopy with Mounting Hardware

- \*Custom pendant spacing available; consult factory
- \*Lengths over 8' require center cable support

## ENDCAP STYLES

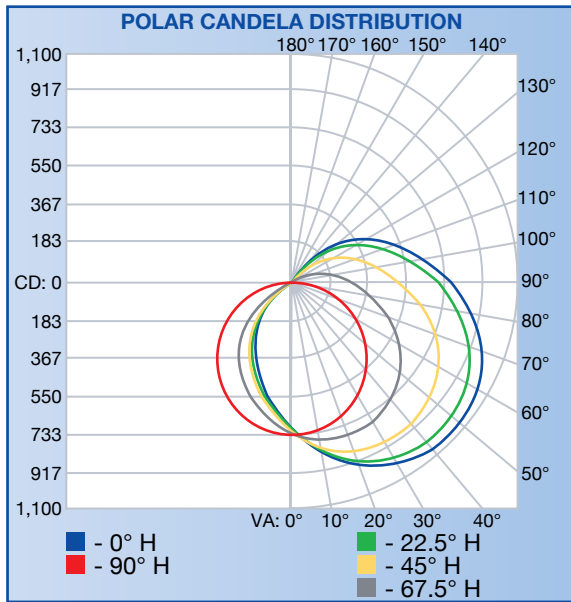


**STANDARD ENDCAP**  
**SEB** BLANK ENDS  
**SEK** ONE END K/O  
**SBEK** BOTH END K/O



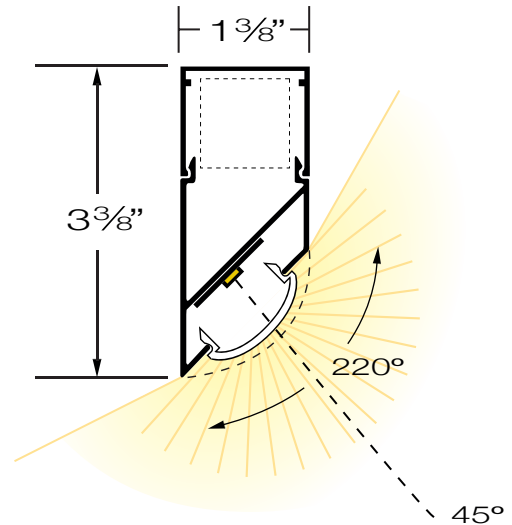
**AEB - ARCHITECTURAL ENDCAP**  
3/16" BLANK PLATE ENDCAP  
1/2" BACK SERVICE HOLE  
FOR SURFACE MOUNT

### POLAR GRAPH

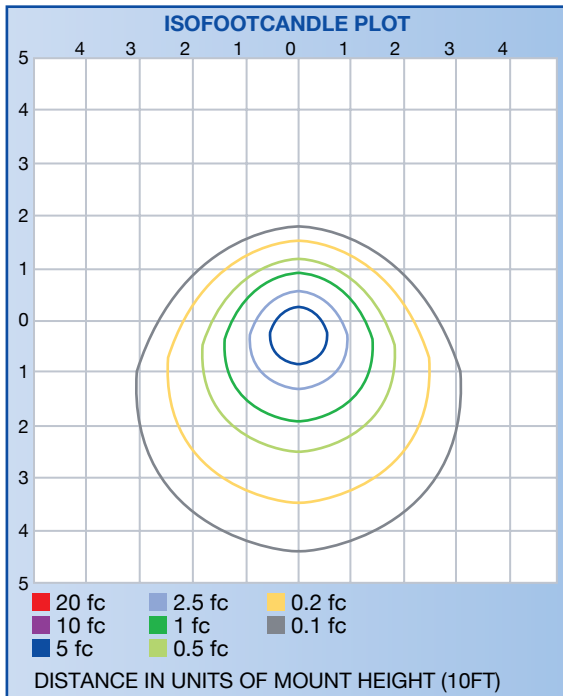


\*Photometrics available on Primus website or call us to request.

### FIXTURE END VIEW



### ISOILLUMINATION PLOT



### ILLUMINANCE – CONE OF LIGHT

|        | ILLUMINANCE AT A DISTANCE |            |         |
|--------|---------------------------|------------|---------|
|        | Center Beam fc            | Beam Width |         |
| 2.0ft  | 187.5 fc                  | 7.7 ft     | 6.0 ft  |
| 4.0ft  | 46.9 fc                   | 15.5 ft    | 12.0 ft |
| 6.0ft  | 20.8 fc                   | 23.2 ft    | 18.0 ft |
| 8.0ft  | 11.7 fc                   | 30.9 ft    | 24.0 ft |
| 10.0ft | 7.5 fc                    | 38.7 ft    | 30.0 ft |

■ VERT. SPREAD 125.3°  
■ HORIZ. SPREAD 112.6°