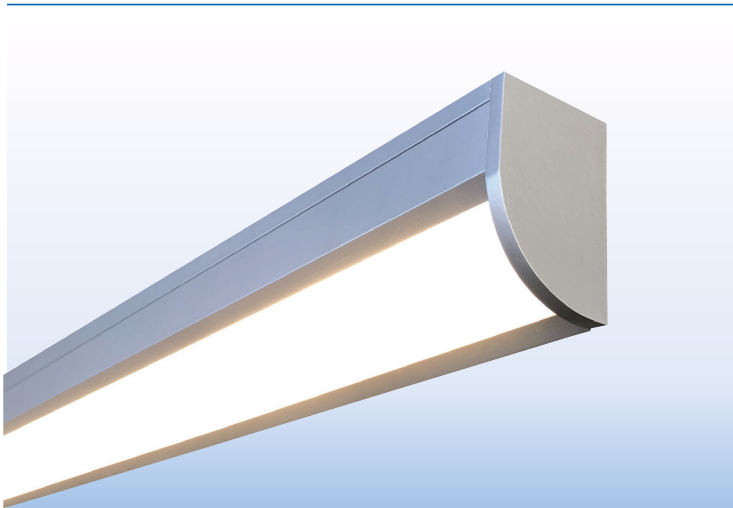




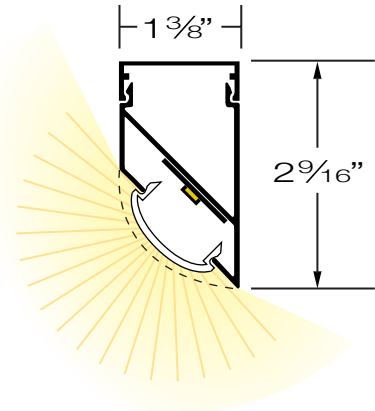
ASENTO 1 – LPR LED SERIES

CABLE SUSPENDED / SURFACE MOUNT

LOW PROFILE REMOTE DRIVER HIGH PERFORMANCE 45° ASYMMETRIC



PROJECT:
TYPE:



Low profile Asento asymmetric fixtures are specifically designed to illuminate a flat surface from an edge.

SPECIFICATIONS

HOUSING	Extruded aluminum housing up to 12' long. Continuous runs available.
FINISH	Satin anodized or white paint finish standard. Custom finish optional.
LENS	Extruded DR acrylic, snap-on frosted widespread lens.
LED DRIVER	Integral, universal voltage; 0-10V dimming standard; 1% or 10% dimming.
MOUNTING	Cable Suspended and Surface Mount; See page 2 details.
LED's	60,000 hours. (L70), High uniformity, 85 CRI, by Nichia and Cree.
CERTIFICATION	ETL/CSA listed for damp locations. LM79 2001431 MADE IN THE USA

LED COLOR & LUMEN OPTIONS

LED COLOR	CRI	LUMENS PER FOOT – WATTS PER FOOT – LUMENS PER WATT								
		LOW			MEDIUM			HIGH		
WHITE 2700K	85	458 L/FT	3.9 W/FT	117 L/W	850 L/FT	7.9 W/FT	107 L/W	1149 L/FT	11.5 W/FT	100 L/W
WHITE 3000K	85	474 L/FT	3.9 W/FT	121 L/W	878 L/FT	7.9 W/FT	111 L/W	1187 L/FT	11.5 W/FT	103 L/W
WHITE 3500K	85	487 L/FT	3.9 W/FT	124 L/W	903 L/FT	7.9 W/FT	114 L/W	1221 L/FT	11.5 W/FT	106 L/W
WHITE 4000K	85	497 L/FT	3.9 W/FT	126 L/W	920 L/FT	7.9 W/FT	116 L/W	1244 L/FT	11.5 W/FT	108 L/W

Values include .85 driver efficiency factor. Higher lumen packages available.

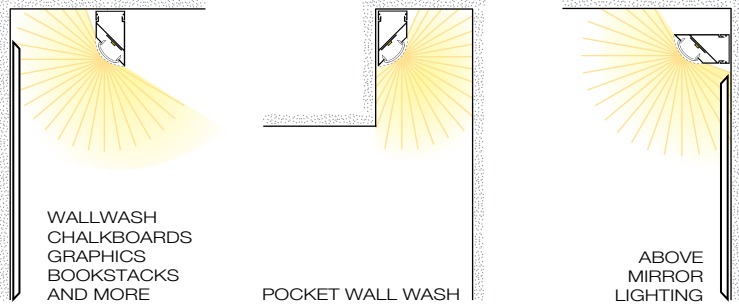
FIXTURE LENGTHS

NOMINAL LENGTH	2'	3'	4'	5'	6'	7'	8'	9'	10'	11'	12'
ACTUAL LENGTH	23"	34"	49"	56"	73"	89"	97"	112"	121"	134"	145"

PART NUMBER

SERIES	LUMENS	LED COLOR	VOLTS	MOUNTING	ENDCAP STYLE	FINISH	LENGTH
AS1-LPR	L LOW	27K 2700K	UNV	<u>SURFACE MOUNT</u>	<u>STANDARD</u>	S SATIN	2' 8"
	M MEDIUM	3K 3000K	(120/277)	SM SURFACE MOUNT	SEB BLANK ENDS	W WHITE	3' 9"
	H HIGH	35K 3500K	10% DIM	JBP J-BOX PLATE	SEK ONE END K/O	C CUSTOM	4' 10"
	CP CUSTOM PROGRAMMED (Specify Lumens/FT or Watts/FT)	4K 4000K	UNV 1%	AM ADJUSTABLE	SBEK BOTH ENDS K/O		5' 11"
			(120/277)	<u>CABLE SUSPENDED</u>	<u>ARCHITECTURAL</u>		6' 12"
			1% DIM	SK36 36" CABLE	AEB BLANK ENDS		7'
				SK48 48" CABLE			
				SK72 72" CABLE			

SURFACE MOUNT

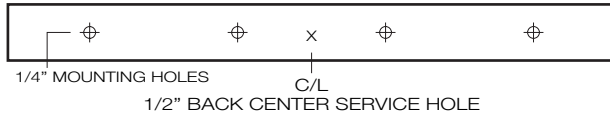


WALLWASH
CHALKBOARDS
GRAPHICS
BOOKSTACKS
AND MORE

POCKET WALL WASH

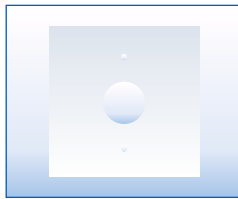
ABOVE
MIRROR
LIGHTING

MOUNTING DETAILS

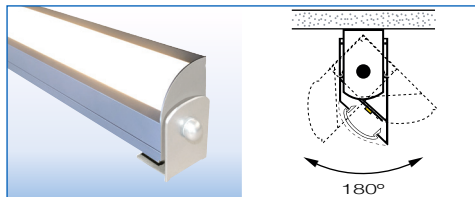


- 1/4" Mounting holes provided evenly spaced on back channel.
- 1/2" Back center service hole for snap-in connector provided for surface mount applications when using standard blank endcap or architectural endcap.
- Back center feed standard. For other feed options, specify or consult factory.
- 2' fixtures require off center service hole due to 12" driver

Note: Narrow housing will not cover recessed J Box. Whip feed recommended. Use optional "JBP" canopy plate for J-Box mount. (See Picture Below)

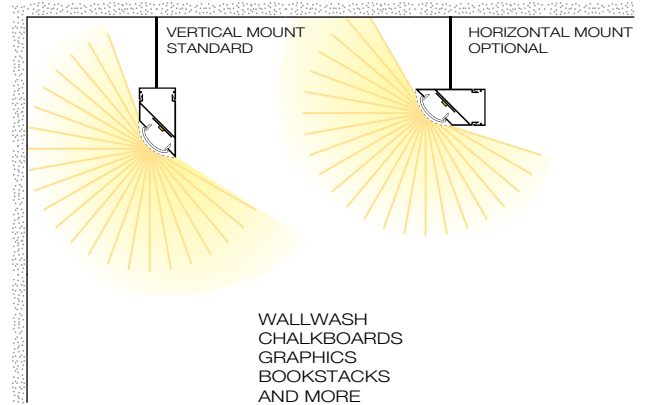


JBP – J BOX PLATE
5" FLAT CANOPY PLATE TO COVER J-BOX



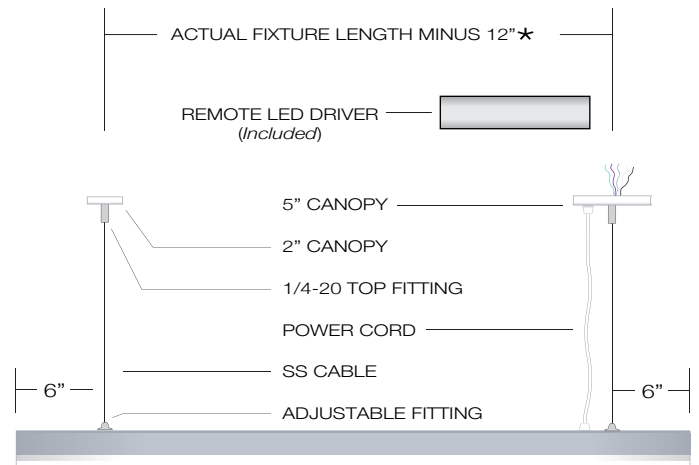
AM – ADJUSTABLE MOUNT
ADJUSTABLE END BRACKETS 3' CORD STANDARD (8' FIXTURE MAX.)
(Specify Feed Cord Location)

CABLE SUSPENDED



WALLWASH
CHALKBOARDS
GRAPHICS
BOOKSTACKS
AND MORE

MOUNTING DETAILS



- SK36** 36" Suspension Kit
- SK48** 48" Suspension Kit
- SK72** 72" Suspension Kit
- Other cable lengths available.

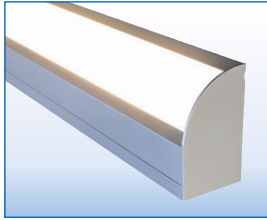
Suspension Kit includes:

- (2) Top Fittings for 1/4-20 Rod
- (2) Adjustable Bottom Fittings
- (2) Aircraft Cables
- (1) Prewired 18/2 White SVT Cord
- (2) White Canopy with Mounting Hardware

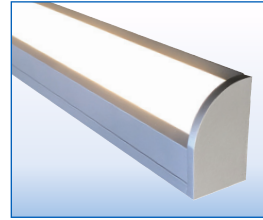
*Custom pendant spacing available; consult factory

*Lengths over 8' require center cable support

ENDCAP STYLES



STANDARD ENDCAP
SEB BLANK ENDS
SEK ONE END K/O
SBEK BOTH END K/O



AEB – ARCHITECTURAL ENDCAP
 3/16" BLANK PLATE ENDCAP
 1/2" BACK SERVICE HOLE
 FOR SURFACE MOUNT

REMOTE LED DRIVERS WITH ENCLOSURE *(Included)* Universal Voltage (120/277) 0–10V Dimming Standard



ENCLOSURE DIMENSIONS	WATTS
16" X 2" x 1 1/4"	1 – 30W
16" X 2" x 1 1/4"	1 – 50W
28" X 2" x 1 1/4" (ENCLOSURE W/ TWO DRIVERS)	2 – 50W
18" X 2" x 1 1/4"	1 – 85W
34" X 2" x 1 1/4" (ENCLOSURE W/ TWO DRIVERS)	2 – 85W

20' Max Remote Driver Distance

The chart below shows watts / fixture and driver requirements.

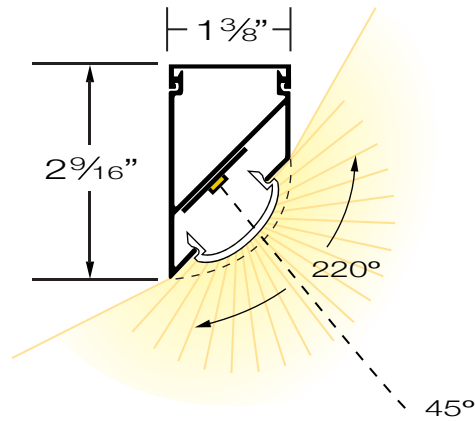
Some medium and high lumen fixtures require more than one driver; Refer to chart below.

FIXTURE LENGTH	2'	3'	4'	5'	6'	7'	8'	9'	10'	11'	12'
LOW LUMENS	8W	12W	16W	20W	24W	28W	32W	36W	39W	43W	47W
DRIVER REQUIRED	30W	30W	30W	30W	30W	30W	50W	50W	50W	50W	50W
MEDIUM LUMENS	16W	24W	32W	40W	48W	56W	64W	72W	79W	87W	95W
DRIVER REQUIRED	30W	30W	50W	50W	50W	85W	85W	85W	85W	(2) 50W	(2) 50W
HIGH LUMENS	23W	35W	46W	58W	69W	81W	92W	104W	115W	127W	138W
DRIVER REQUIRED	30W	50W	50W	85W	85W	85W	(2) 50W	(2) 85W	(2) 85W	(2) 85W	(2) 85W

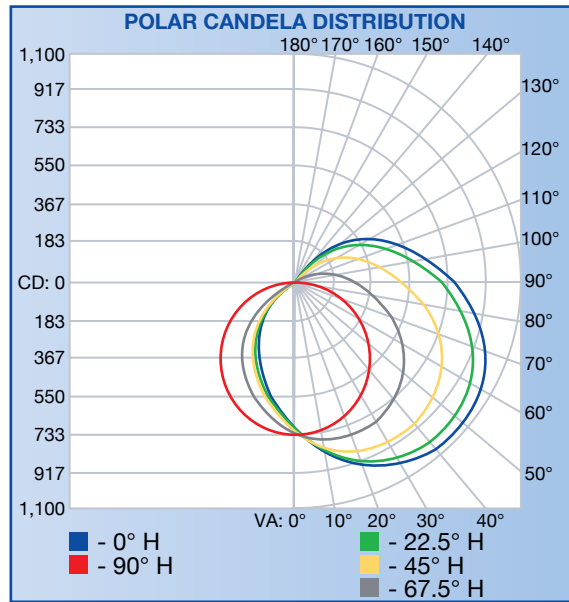
Some low wattage fixtures can be grouped on a single driver.

The number of fixtures connected to a single driver must not exceed driver max wattage ratings.

FIXTURE END VIEW

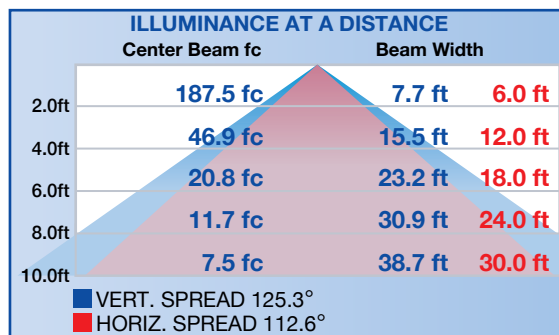


POLAR GRAPH



*Photometrics available on Primus website or call us to request.

ILLUMINANCE – CONE OF LIGHT



4' Fixture at High (35K / 1076L/FT)