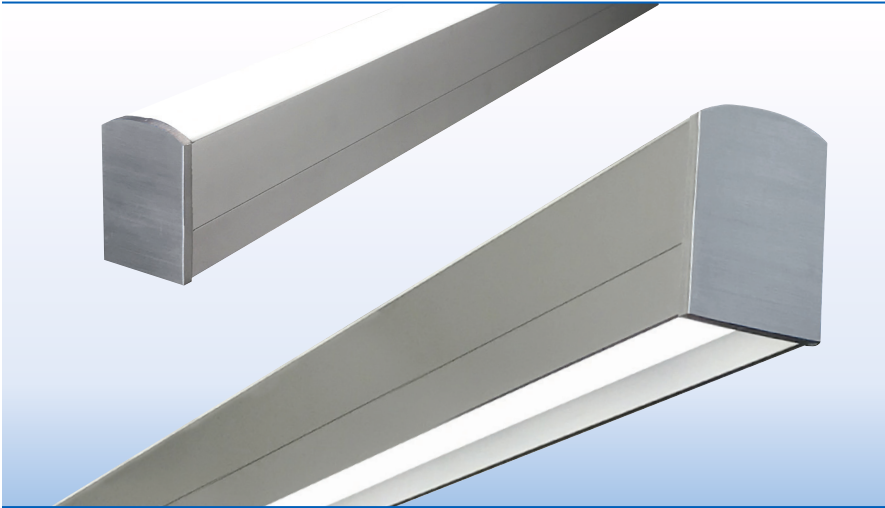
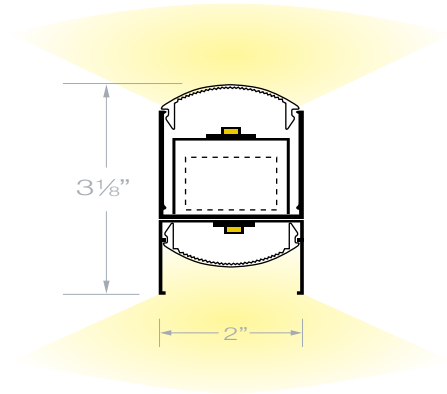


DIRECT / INDIRECT LIGHT LINEAR LED FIXTURE



PROJECT:
TYPE:



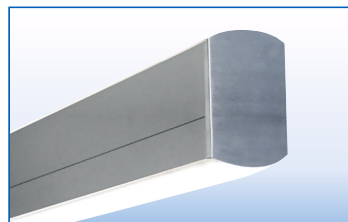
SPECIFICATIONS

DESCRIPTION	Architectural direct/indirect linear LED luminaire.
HOUSING	Extruded aluminum housing, 2" wide and up to 12' long; no exposed hardware.
FINISH	Satin anodized or white paint finish standard. Custom finish optional.
LENS	White frosted acrylic, smooth uniformity and no pixelization. TOP LENS: Flat Round Lens. DOWN LENS: Four Styles (See Below & Page 2 for Dimensions)
LED DRIVER	Integral (<i>Included</i>), Universal Voltage; 1% and 10% 0-10V Dimming Standard; Custom Programmable.
MOUNTING	Cable Suspended & Wall Mount: See Page 3 for details.
LED's	(LED boards) 50,000 hours. (L70), 85 CRI, by Nichia and Cree; 2700K, 3000K, 3500K and 4000K.
CERTIFICATION	ETL/CSA listed for damp locations. 2001431 MADE IN THE USA

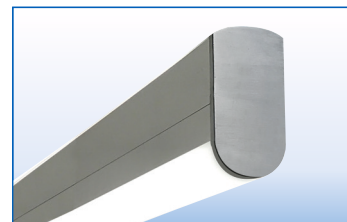
LENS OPTIONS



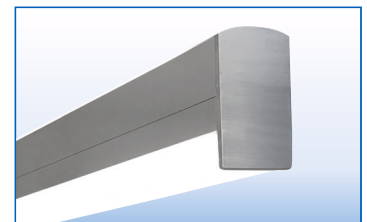
DL - RGL – REGRESSED



DL - FRL – FLAT ROUND LENS



DL - RLR – ROUND LENS

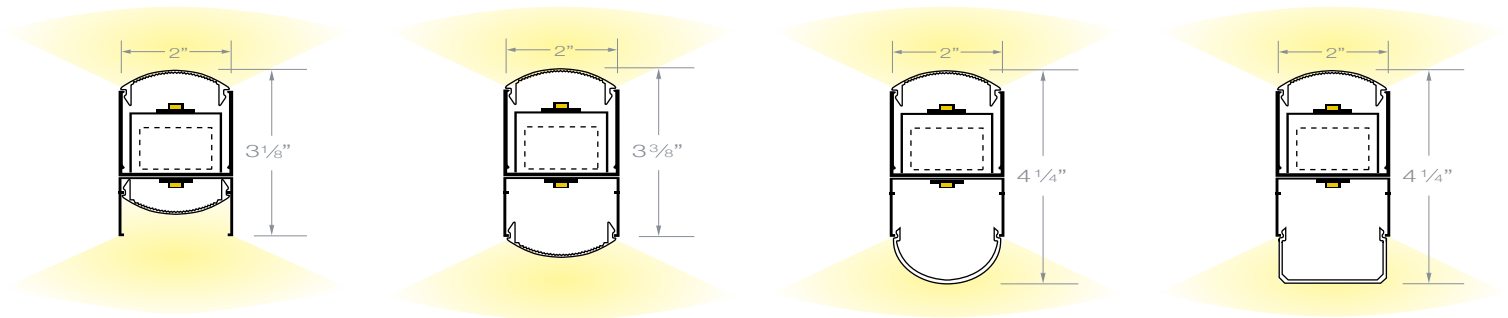


DL - SQL – SQUARE LENS

PART NUMBER

SERIES	LUMENS	COLOR	VOLTS	ENDCAP STYLE	MOUNTING	FINISH	LENGTH
DL - RGL	L/L LOW	27K 2700K	120V/277V	<u>STANDARD ENDCAP</u>	<u>SURFACE MOUNT</u>	S SATIN	2' 8'
DL - FRL	M/M MEDIUM	3K 3000K	UNV 1 1% DIM	SEB BLANK ENDS	WM WALL MOUNT	W WHITE	4' 10'
DL - RLR	H/H HIGH	35K 3500K	UNV 10 10% DIM	<u>ARCHITECTURAL ENDCAP</u>	<u>CABLE SUSPENDED</u>	C CUSTOM	6' 12'
DL - SQL	CP CUSTOM PROGRAMMED (Specify Lumens/FT or Watts/FT)	4K 4000K		AEB BLANK ENDS	SK36 36" CABLE KIT SK48 48" CABLE KIT SK72 72" CABLE KIT		SQUARES & RECTANGLES <small>CONSULT FACTORY</small>

ENDVIEWS (PROFILE DIMENSIONS)



DL – RGL
REGRESSED LENS

DL – FRL
FLAT ROUND LENS

DL – RLR
ROUNDED LENS

DL – SQL
SQUARE LENS

*Consult factory for square and rectangle patterns.

LUMENS & LED COLOR OPTIONS

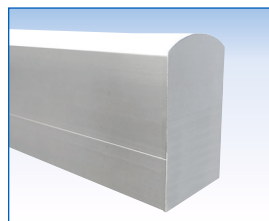
LED COLOR (85 CRI)		LUMENS PER FOOT – WATTS PER FOOT – LUMENS PER WATT								
		LOW			MEDIUM			HIGH		
WHITE 2700K	UP	458 L/FT	3.9 W/FT	117 L/W	850 L/FT	7.9 W/FT	107 L/W	1149 L/FT	11.5 W/FT	100 L/W
	DOWN	458 L/FT	3.9 W/FT	117 L/W	850 L/FT	7.9 W/FT	107 L/W	1149 L/FT	11.5 W/FT	100 L/W
	TOTAL	916 L/FT	7.8 W/FT		1700 L/FT	15.8 W/FT		2298 L/FT	23 W/FT	
WHITE 3000K	UP	474 L/FT	3.9 W/FT	121 L/W	878 L/FT	7.9 W/FT	111 L/W	1187 L/FT	11.5 W/FT	103 L/W
	DOWN	474 L/FT	3.9 W/FT	121 L/W	878 L/FT	7.9 W/FT	111 L/W	1187 L/FT	11.5 W/FT	103 L/W
	TOTAL	948 L/FT	7.8 W/FT		1756 L/FT	15.8 W/FT		2374 L/FT	23 W/FT	
WHITE 3500K	UP	487 L/FT	3.9 W/FT	124 L/W	903 L/FT	7.9 W/FT	114 L/W	1221 L/FT	11.5 W/FT	106 L/W
	DOWN	487 L/FT	3.9 W/FT	124 L/W	903 L/FT	7.9 W/FT	114 L/W	1221 L/FT	11.5 W/FT	106 L/W
	TOTAL	974 L/FT	7.8 W/FT		1806 L/FT	15.8 W/FT		2442 L/FT	23 W/FT	
WHITE 4000K	UP	497 L/FT	3.9 W/FT	126 L/W	920 L/FT	7.9 W/FT	116 L/W	1244 L/FT	11.5 W/FT	108 L/W
	DOWN	497 L/FT	3.9 W/FT	126 L/W	920 L/FT	7.9 W/FT	116 L/W	1244 L/FT	11.5 W/FT	108 L/W
	TOTAL	994 L/FT	7.8 W/FT		1840 L/FT	15.8 W/FT		2488 L/FT	23 W/FT	

Values include .85 driver efficiency factor. Higher lumen packages available.

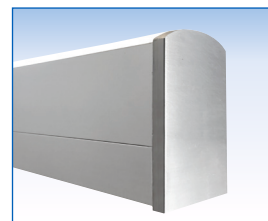
Optional: Can specify different lumens independently for both top and bottom of fixture.

Example: L/H = "L" for low top lumens and "H" for bottom high lumens. This option requires additional drivers. Please consult factory for details and additional cost.

ENDCAP STYLES

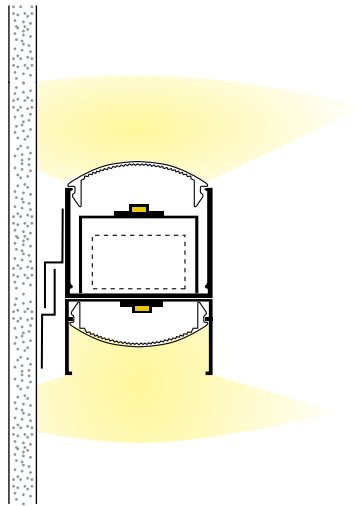


STANDARD ENDCAP
K/O OPTIONS
SEB BLANK ENDS



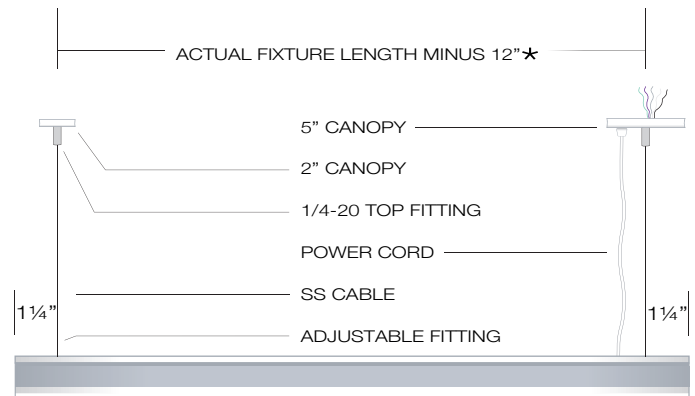
ARCHITECTURAL ENDCAP
AEB BLANK ENDS
3/16" PLATE ENDCAP

WALL MOUNT



Mounting Brackets Included:
For more information, see installation instructions at primuslighting.com

CABLE SUSPENDED



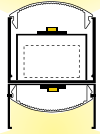
- SK36** 36" Suspension Kit
- SK48** 48" Suspension Kit
- SK72** 72" Suspension Kit
- Other cable lengths available.

- Suspension Kit includes:**
- (2) Top Fittings for 1/4-20 Rod
 - (2) Adjustable Bottom Fittings
 - (2) Aircraft Cables
 - (1) Prewired 18/5 White SVT Cord
 - (1) 5" White Canopy with Mounting Hardware
 - (1) 2" White Canopy

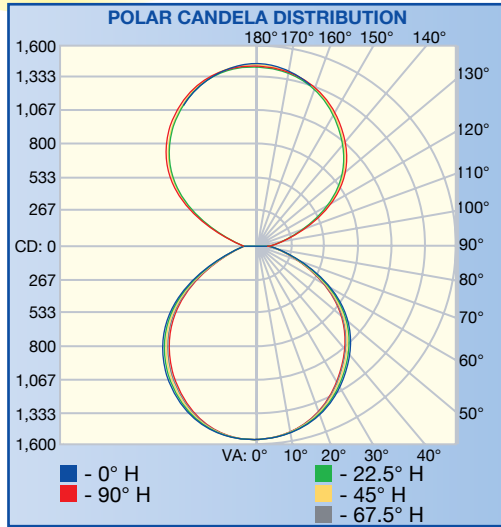
FIXTURE LENGTHS

NOMINAL LENGTH	2'	4'	6'	8'	10'	12'
ACTUAL LENGTH	25"	49"	73"	97"	121"	145"

CANDELA DISTRIBUTION CURVES



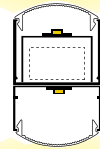
DL – RGL - REGRESSED LENS



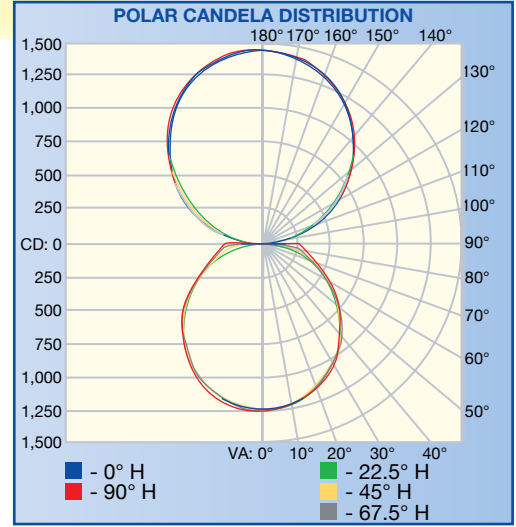
POLAR GRAPH

REPORT NO.: 103858894LAX-001

DL- RGL- H/H- 35K- 4' (DOBLE-LED REGRESSED LENS)



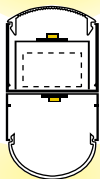
DL – FRL - FLAT ROUND LENS



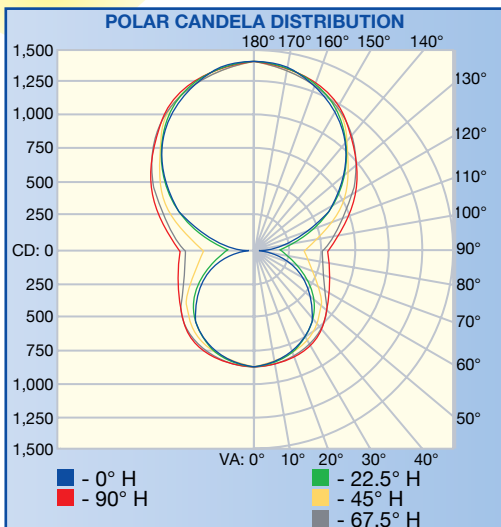
POLAR GRAPH

REPORT NO. 103858894LAX-002

DL- FRL- H/H- 35K- 4' (DOBLE-LED FRL LENS)



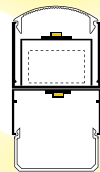
DL – RLR - ROUND LENS



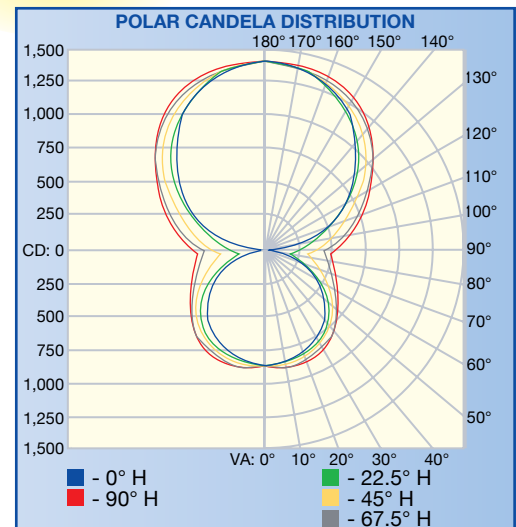
POLAR GRAPH

REPORT NO. 103858894LAX-003

DL- RLR- H/H- 35K- 4' (DOBLE-LED RLR LENS)



DL – SQL - SQUARE LENS



POLAR GRAPH

REPORT NO. 103858894LAX-004

DL- SQL- H/H- 35K- 4' (DOBLE-LED SQL LENS)

* IES FILES AVAILABLE; CONSULT FACTORY

SPECIFICATIONS ARE SUBJECT TO CHANGE
DUE TO CONTINUOUS ADVANCES IN TECHNOLOGY
© PRIMUS LIGHTING, INC. ALL RIGHTS RESERVED