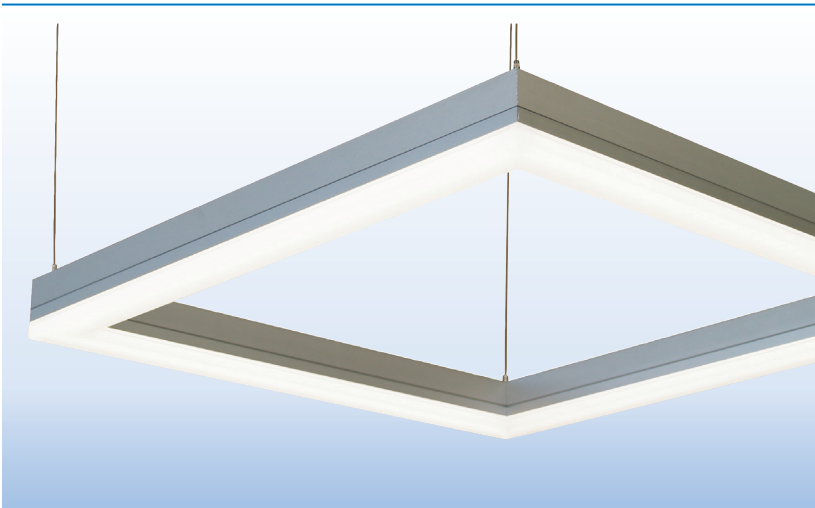


LED SQUARES / CABLE SUSPENDED / SURFACE MOUNT

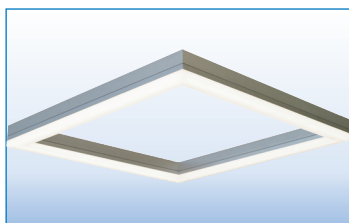


| |
|----------|
| PROJECT: |
| TYPE: |

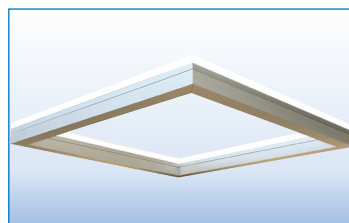
SPECIFICATIONS

| | |
|----------------------|---|
| DESCRIPTION | Architectural LED squares available with down light, up light, inside light or outside light options. |
| HOUSING | Extruded aluminum housing, 1 3/8" wide. |
| FINISH | Satin anodized or white paint finish standard. Custom finish optional. |
| LENS | Three styles, extruded acrylic, snap-on frosted widespread lens, smooth uniformity and no pixelization. |
| LED DRIVER | Integral or remote (<i>Included</i>), universal voltage; 0-10V dimming standard; custom programmable. |
| MOUNTING | Cable suspended and surface mount: See page 3 for details and options. |
| LED's | (LED boards) 50,000 hours. (L70), 85 CRI, by Nichia and Cree; 2700K, 3000K, 3500K and 4000K. |
| CERTIFICATION | ETL/CSA listed for damp locations. 2001431 MADE IN THE USA |

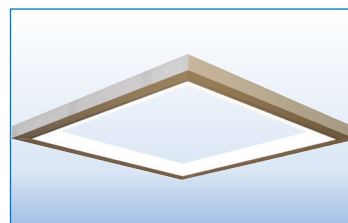
OPTIONS



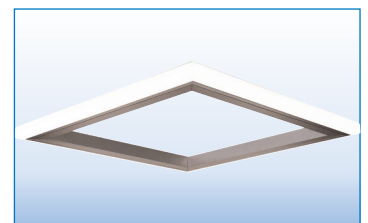
Q1 - DL - DOWN LIGHT



Q1 - UL - UP LIGHT



Q1 - IL - INSIDE LIGHT



Q1 - OL - OUTSIDE LIGHT

PART NUMBER

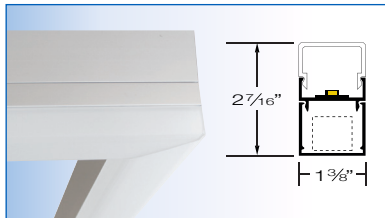
| SERIES | LUMENS | COLOR | LENS | VOLTS | DRIVER | MOUNTING | CABLE | FINISH | FIXTURE SIZE |
|---------|--|-----------|------------|----------------------|------------|-------------------|-------|----------|-----------------|
| Q1 - DL | L LOW | 27K 2700K | SQL SQUARE | UNV | I INTEGRAL | SC STRAIGHT CABLE | 36" | S SATIN | 2' X 2' |
| Q1 - UL | M MEDIUM | 3K 3000K | RLR ROUND | (120/277) 10% DIM | R REMOTE | PC PYRAMID CABLE | 48" | W WHITE | 3' X 3' |
| Q1 - IL | H HIGH | 35K 3500K | FRL FLAT | UNV 1% | | CC CENTER CABLE | 72" | C CUSTOM | 4' X 4' |
| Q1 - OL | CP CUSTOM PROGRAMMED (Specify Lumens/FT or Watts/FT) | 4K 4000K | | (120/277) 1% DIM | | SM SURFACE | | | OTHER (SPECIFY) |

LUMENS & LED COLOR OPTIONS

| | SQ SIZE | WATTS | 2700K | 3000K | 3500K | 4000K |
|----------------------|---------|-------|---------|---------|---------|---------|
| LOW LUMENS | 2' SQ | 31W | 2808 L | 3256 L | 3416 L | 3504 L |
| | 3' SQ | 47W | 4212 L | 4884 L | 5124 L | 5256 L |
| | 4' SQ | 62W | 5616 L | 6512 L | 6832 L | 7008 L |
| MEDIUM LUMENS | 2' SQ | 63W | 5216 L | 6056 L | 6352 L | 6520 L |
| | 3' SQ | 95W | 7824 L | 9084 L | 9528 L | 9780 L |
| | 4' SQ | 126W | 10432 L | 12112 L | 12704 L | 13040 L |
| HIGH LUMENS | 2' SQ | 92W | 7056 L | 8192 L | 8608 L | 8824 L |
| | 3' SQ | 138W | 10584 L | 12288 L | 12912 L | 13236 L |
| | 4' SQ | 184W | 14112 L | 16384 L | 17216 L | 17648 L |

Values include .85 driver efficiency factor. Higher lumen packages available.

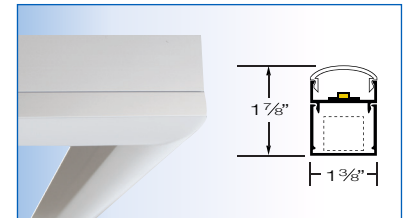
LENS OPTIONS



SQL - SQUARE LENS



RLR - ROUND LENS



FRL - FLAT ROUND LENS

REMOTE LED DRIVERS WITH ENCLOSURE *(Included)*

Universal Voltage (120/277) 0-10V Dimming

Remote LED drivers recommended for easy maintenance.



WATTS

1 - 50W

2 - 50W

1 - 85W

2 - 85W

ENCLOSURE DIMENSIONS

16" X 2" x 1 1/4"

28" X 2" x 1 1/4" (ENCLOSURE W/ TWO DRIVERS)

18" X 2" x 1 1/4"

34" X 2" x 1 1/4" (ENCLOSURE W/ TWO DRIVERS)

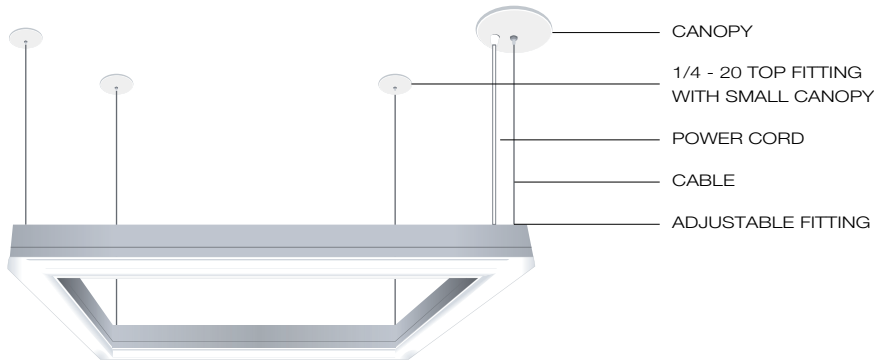
20' Max Remote Driver Distance

The chart below shows watts / fixture and driver requirements.

Some medium and high lumen fixtures require more than one driver; Refer to chart below.

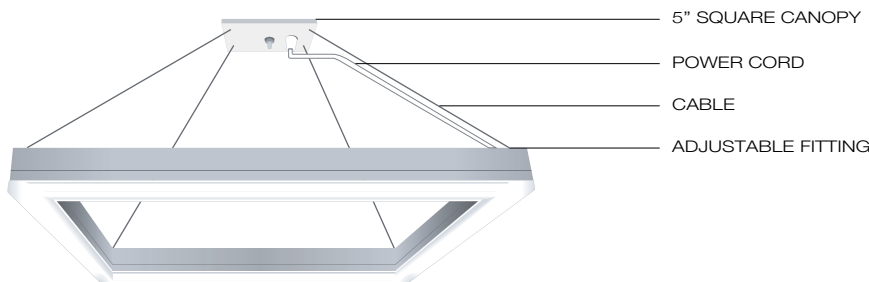
| SQUARE SIZE | LOW LUMENS | | MEDIUM LUMENS | | HIGH LUMENS | |
|----------------|------------|------------------|---------------|------------------|-------------|------------------|
| | WATTS | DRIVERS REQUIRED | WATTS | DRIVERS REQUIRED | WATTS | DRIVERS REQUIRED |
| 2' X 2' | 31W | 1 - 50W | 63W | 1 - 85W | 92W | 2 - 50W |
| 3' X 3' | 47W | 1 - 50W | 95W | 2 - 50W | 138W | 2 - 85W |
| 4' X 4' | 62W | 1 - 85W | 126W | 2 - 85W | 184W | 4 - 50W |

MOUNTING OPTIONS



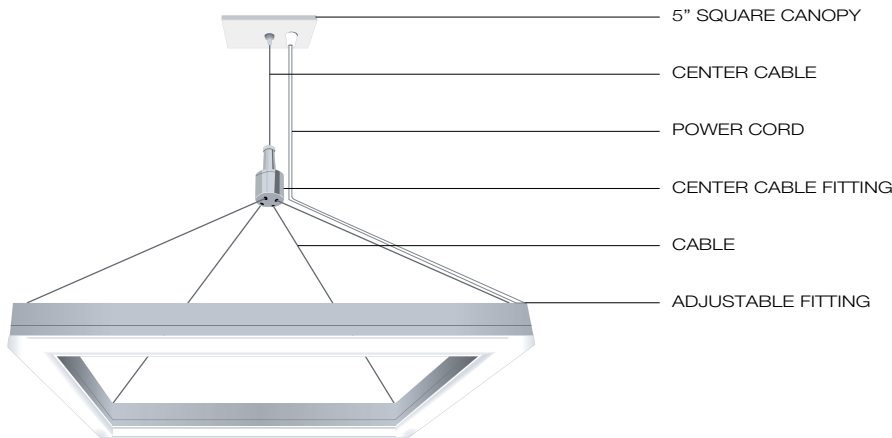
SC – STRAIGHT CABLES STYLE

- Suspension Kit includes:
- (1) 5" Round Canopy with Mounting Hardware
 - (4) Top Fittings for 1/4-20 Rod with Small Canopy
 - (1 or 2) Prewired 18/2 or 18/5 White Power Cord
 - (4) Aircraft Cables 36", 48" or 72"
 - (4) Adjustable Bottom Fittings



PC – PYRAMID CABLES STYLE

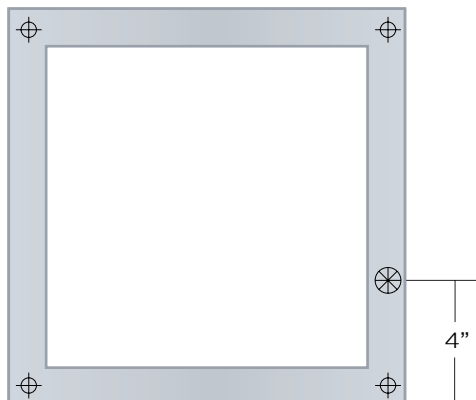
- Suspension Kit includes:
- (1) 5" Square Canopy with Mounting Hardware
 - (1 or 2) Prewired 18/2 or 18/5 White Power Cord
 - (4) Aircraft Cables 36", 48" or 72"
 - (4) Adjustable Bottom Fittings



CC – CENTER CABLE STYLE

- Suspension Kit includes:
- (1) 5" Square Canopy with Mounting Hardware
 - (1) Center Aircraft Cable
 - (1 or 2) Prewired 18/2 or 18/5 White Power Cord
 - (1) Center Cable Fitting
 - (4) Aircraft Cables 36", 48" or 72"
 - (4) Adjustable Bottom Fittings

* Note: Fixture can rotate due to the flow of air in a given area.



SM – SURFACE MOUNT

- ⊕ 1/4" Mounting Holes Provided
- ⊗ 1/2" Service Hole Provided for Snap in Connector

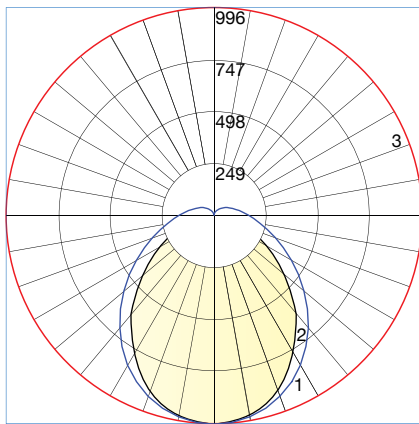
* Position of mounting holes may vary; Consult Factory

FIXTURE SIZES

| | 2' SQUARE | | 3' SQUARE | | 4' SQUARE | |
|---------------|--------------|-----------------|--------------|-----------------|--------------|-----------------|
| | NOMINAL SIZE | ACTUAL SIZE | NOMINAL SIZE | ACTUAL SIZE | NOMINAL SIZE | ACTUAL SIZE |
| DOWN LIGHT | 2' X 2' | 24" X 24" | 3' X 3' | 35" X 35" | 4' X 4' | 46" X 46" |
| UP LIGHT | 2' X 2' | 24" X 24" | 3' X 3' | 35" X 35" | 4' X 4' | 46" X 46" |
| INWARD LIGHT | 2' X 2' | 26" X 26" | 3' X 3' | 37" X 37" | 4' X 4' | 48" X 48" |
| OUTWARD LIGHT | 2' X 2' | * 24.5" X 24.5" | 3' X 3' | * 35.5" X 35.5" | 4' X 4' | * 46.5" X 46.5" |

* Outside dimension is 7/8" less with FRL lens. Other sizes and rectangles available; Consult Factory

PHOTOMETRICS / CANDELA DISTRIBUTION

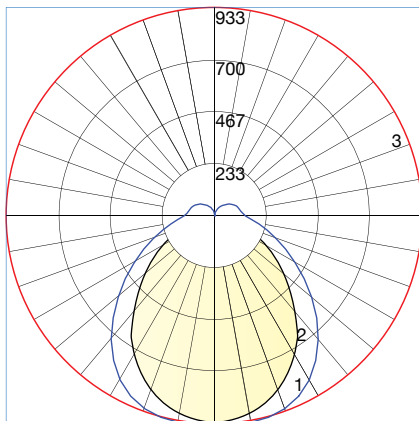


SQL – SQUARE LENS

POLAR GRAPH

FILE NAME: L011501402.IES

Maximum Candela = 432 (Low Lumens)

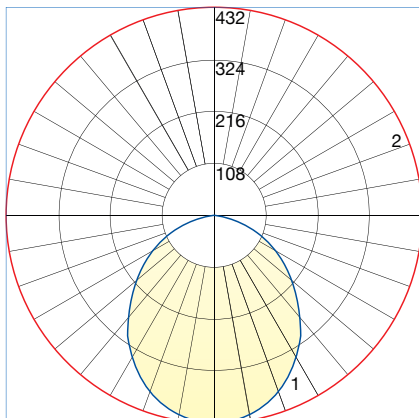


RLR – ROUND LENS

POLAR GRAPH

FILE NAME: L011501401.IES

Maximum Candela = 432 (Low Lumens)



FRL – FLAT ROUND LENS

POLAR GRAPH

FILE NAME: L10137801R01.IES

Maximum Candela = 432 (Low Lumens)