

ARIES SMALL DOUBLE RING LED

Architectural Indoor



PROJECT:		
TYPE:		
PO#:		QTY:
COMMENTS:		

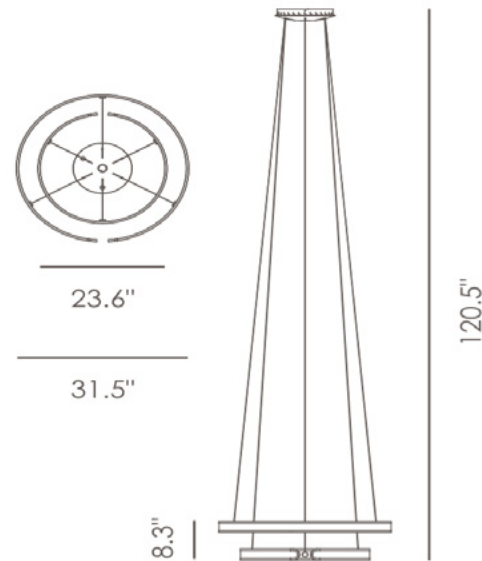


FEATURES

- Acrylic Lens
- Aluminum and Steel Construction
- Ceiling Mounted
- CRI \geq 90
- Dimmable @ 120V
- Dimmable to 10%
- ETL Listed For Dry Locations
- LED Light Fixture
- 2 Total Lights
- 120 Volt
- ~50,000 Hour Rated LED Life

LINE DRAWING

LINE DRAWING NOT TO SCALE



FINISHES

Brushed
Champagne



ARIES SMALL DOUBLE RING LED

Architectural Indoor



Fixture Core

PROJECT:	
TYPE:	
PO#:	QTY:
COMMENTS:	

PRODUCT CODE	SOURCE/WATTAGE	VOLTAGE	DIMMING DRIVER
ASDR - Aries Small Double Ring LED	L92.0-LT2800 - 92W @ 2800mA ELV Low Voltage 2-Wire Dimming Electronic Driver (Leading or Trailing Edge)	120V	ELV or TRIAC Dimming @ 120V
ORDER INFO			
ASDR	L92.0-LT2800	120V	ELV, TRIAC

Example ^

Aesthetics & Options

TRIM	FINISH	COLOR TEMP	OPTIONS
Not Applicable	BC - Brushed Champagne	30K - 3000K Color Temp	Not Applicable
ORDER INFO			
Not Applicable	BC	30K	Not Applicable

Example ^

PROD	SOURCE	30K SPECS				
ASDR	L92.0	<ul style="list-style-type: none"> • 30K - 3000K Color Temp • 7320 LED Source Lumens • 79.6 LED Source Lumens Per Watt • 1726 Delivered LED Lumens • 18.8 Delivered LED Lumens Per Watt 				

NOTES

Don't see the configuration you are looking for?
Call us today at (513) 858-6004



TERONLIGHTING.COM
33 DONALD DR, FAIRFIELD, OH 45014
P: 513.858.6004 F: 513.858.6038
E: SALES@TERONLIGHT.COM

We reserve the right to revise the design components of any product due to parts availability or change in UL standards, without assuming any obligation or liability to modify any products previously manufactured, and without notice.