

BIRDIE POLY BFP RD RNG LED

Architectural Outdoor



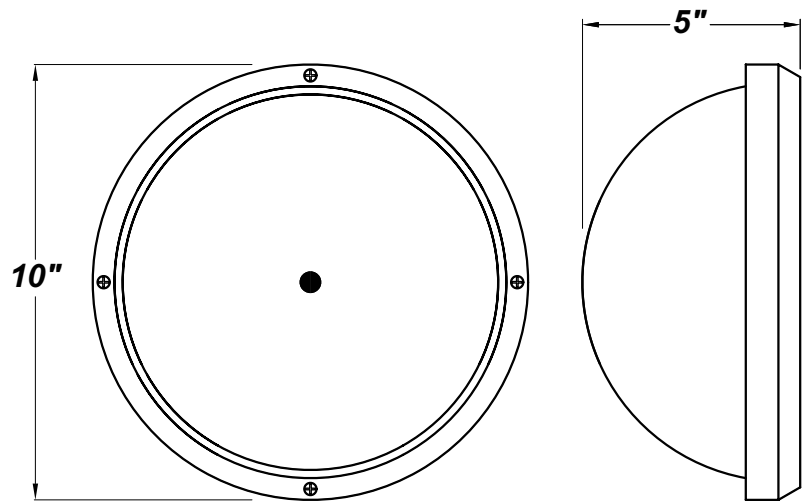
PROJECT:	
TYPE:	
PO#:	QTY:
COMMENTS:	

FEATURES

- White or Black Polycarbonate Housing and Fascia
- Aluminum Back Pan w/ Powder Coat Finish
- Frosted White Polycarbonate Lens
- Ambient Operating Temperature -40° C (-40° F) to 40° C (105° F)
- Constant Current at 700 Milliamps
- UL Class 2 Driver - Power Factor >.90
- Thermal Protected LED Array
- Wall or Ceiling Mount
- LED Light Fixture
- Mounting Hardware Included
- UL Listed Wet Location
- Vandal Resistant

LINE DRAWING

LINE DRAWING NOT TO SCALE



FINISHES

For RAL Colors
& Custom
Match -
Contact Teron
Lighting Inc.

BIRDIE POLY BFP RD RNG LED

Architectural Outdoor



Fixture Core

PROJECT:	
TYPE:	
PO#:	QTY:
COMMENTS:	

PRODUCT CODE	SOURCE/WATTAGE	VOLTAGE	DIMMING DRIVER
BER - Birdie Poly BFP RD LED	L18.0 - 22W @ 700 Constant Current Driver	120V 277V (50 / 60Hz)	Not Applicable
ORDER INFO			
BER	L18.0	120V	Not Applicable

Example ^ (may not represent a manufacturable product)

Aesthetics & Options

TRIM	FINISH	COLOR TEMP	OPTIONS
RNG	BK - Black Polycarbonate WH - White Polycarbonate (Standard)	40K - 4000K Color Temp	Not Applicable
ORDER INFO			
RNG	BK	40K	Not Applicable

Example ^ (may not represent a manufacturable product)

PROD	SOURCE	40K SPECS			
BER	L18.0	<ul style="list-style-type: none"> 40K - 4000K Color Temp 1824 LED Source Lumens 82 LED Source Lumens Per Watt 			

REPLACEMENT PART	PART NO	NOTES
White Polycarbonate Lens	3400760	
Birdie Poly Round White RNG Fascia	5510002	
Birdie Poly Round Black RNG Fascia	5510001	

Don't see the configuration you are looking for?
Call us today at (513) 858-6004



TERONLIGHTING.COM
33 DONALD DR, FAIRFIELD, OH 45014
P: 513.858.6004 F: 513.858.6038
E: SALES@TERONLIGHT.COM



We reserve the right to revise the design components of any product due to parts availability or change in UL standards, without assuming any obligation or liability to modify any products previously manufactured, and without notice.