

# CONTOUR LED

Architectural Indoor



PROJECT:	
TYPE:	
PO#:	QTY:
COMMENTS:	

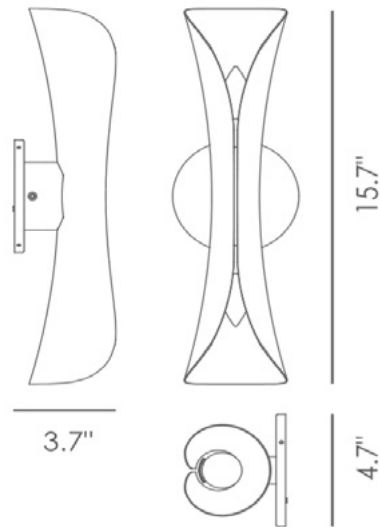


## FEATURES

- ADA Compliant
- Aluminum Construction
- Aluminum Shade
- CRI ≥ 90
- Dimmable @ 120V
- Dimmable to 10%
- ETL Listed For Dry Locations
- Includes 2-E26 Sockets LED with a maximum of 25W (LAMPS NOT INCLUDED)
- LED Light Fixture
- Wall Mounted
- 2 Total Lights
- 120 Volt
- ~50,000 Hour Rated LED Life

## LINE DRAWING

LINE DRAWING NOT TO SCALE



## FINISHES

Brushed  
Aluminum



# CONTOUR LED

Architectural Indoor



Fixture Core

PROJECT:	
TYPE:	
PO#:	QTY:
COMMENTS:	

PRODUCT CODE	SOURCE/WATTAGE	VOLTAGE	DIMMING DRIVER
<b>CONT - Contour LED</b>	<b>L50.0 - 2x25W Max E26 Sockets</b>	<b>120V</b>	<b>ELV or TRIAC Dimming @ 120V</b>
ORDER INFO			
CONT	L50.0	120V	ELV, TRIAC

Example ^

Aesthetics & Options

TRIM	FINISH	COLOR TEMP	OPTIONS
<b>Not Applicable</b>	<b>AL - Brushed Aluminum</b>	<b>Not Applicable</b>	<b>Not Applicable</b>
ORDER INFO			
Not Applicable	AL	Not Applicable	Not Applicable

Example ^

## NOTES

Lamps not included.

Don't see the configuration you are looking for?  
Call us today at (513) 858-6004



**TERONLIGHTING.COM**  
33 DONALD DR, FAIRFIELD, OH 45014  
P: 513.858.6004 F: 513.858.6038  
E: SALES@TERONLIGHT.COM

We reserve the right to revise the design components of any product due to parts availability or change in UL standards, without assuming any obligation or liability to modify any products previously manufactured, and without notice.