

HERITAGE SHALLOW RNG LED

Architectural Outdoor



PROJECT:	
TYPE:	
PO#:	QTY:
COMMENTS:	

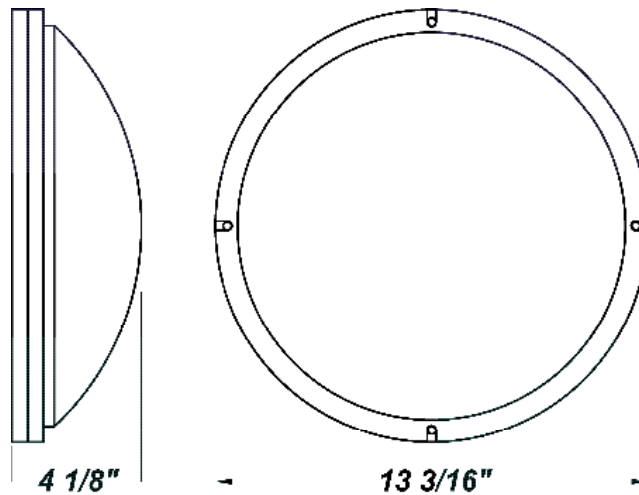
FEATURES

- 100V - 277V
- CSA Listed Wet Location For Wall or Ceiling Mount
- Die-Cast, Marine Grade Aluminum Housing
- EPDM Ribbed / Foam Rubber Gasketing
- Injection Molded Polycarbonate Fascia w/ Weep Holes
- Junction Box Pattern on Housing For Easy Mounting
- Translucent White Injection Molded Lens Frame
- UV-Stabilizing Polycarbonate Diffuser



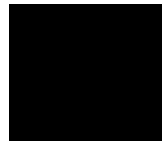
LINE DRAWING

LINE DRAWING NOT TO SCALE



FINISHES

Matte Black



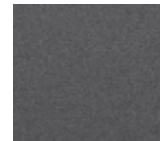
Matte Bronze



Matte White



Matte Titanium



For RAL Colors
& Custom
Match -
Contact Teron
Lighting Inc.

HERITAGE SHALLOW RNG LED

Architectural Outdoor



Fixture Core

PROJECT:	
TYPE:	
PO#:	QTY:
COMMENTS:	

PRODUCT CODE	SOURCE/WATTAGE	VOLTAGE	DIMMING DRIVER
HRTS - Heritage Shallow	L20.0- ZE700 - 20 Watts @ 20 700mA (0-10V Dimming Driver)	100 - 277V (50 / 60Hz)	0-10V Dimming
ORDER INFO			

HRTS	L20.0-ZE700	100 - 277V	Not Applicable
Example ^ (may not represent a manufacturable product)			

Aesthetics & Options

TRIM	FINISH	COLOR TEMP	OPTIONS
RNG	BK - Matte Black BZ - Matte Bronze WH - Matte White TI - Matte Titanium	30K - 3000K Color Temp 35K - 3500K Color Temp 40K - 4000K Color Temp 50K - 5000K Color Temp	FRL- Frosted Ribbed Lens TP - Tamper Resistant Screws SPD – Surge Protection Device
ORDER INFO			

CRS	BK	27K	EB51
Example ^ (may not represent a manufacturable product)			

PROD	SOURCE	30K SPECS				
HRTS	L20.0	<ul style="list-style-type: none"> • 30K - 3000K Color Temp • 3398.5 LED Source Lumens • 169.9 LED Source Lumens Per Watt 				

REPLACEMENT PART	PART NO	NOTES
White Ribbed Polycarbonate Diffuser	3408360	White Ribbed is standard lens.
Frosted Ribbed Polycarbonate Diffuser	3408362	

Don't see the configuration you are looking for?
Call us today at (513) 858-6004



TERONLIGHTING.COM
33 DONALD DR, FAIRFIELD, OH 45014
P: 513.858.6004 F: 513.858.6038
E: SALES@TERONLIGHT.COM



We reserve the right to revise the design components of any product due to parts availability or change in UL standards, without assuming any obligation or liability to modify any products previously manufactured, and without notice.