

# MEDMASTER® MEDSLOT™

## Multi-Function Luminaires for Patient Rooms

### MAERS4 SERIES

#### PRODUCT FEATURES:

- » 4" x 48" recessed linear slot luminaire for paired, over-bed lighting
- » Provides ambient, exam and reading modes within a seamless design
- » High-output, high-CRI LED lamp sources
- » No visible room-side fasteners for clean aesthetic
- » Standard low-voltage controller
- » Standard IP64 and NSF2 ratings for cleanability and ingress-protection



#### PROJECT INFORMATION

Job Name \_\_\_\_\_

Fixture Type \_\_\_\_\_

Catalog Number \_\_\_\_\_

Approved by \_\_\_\_\_

#### SPECIFICATIONS

**HOUSING:** Extruded 6063-T5 aluminum construction with aluminum endcaps. Low-gloss anti-microbial white TGIC polyester powder coat finish with five-stage pre-treatment. Silicone gasketing throughout.

**OPTIC:** Standard 20° asymmetric distribution for all functions. Must specify Left- and Right-Throw for offset paired mounting over bed. Snap-in, one-piece extruded frost DR acrylic diffuser.

**LED MODULE:** Serviceable mid-power LED array. See Ordering Information for available color temperature options. Minimum 82 CRI standard (R9>20) with 90 CRI optional.

**DRIVER:** 120-277VAC, 50/60Hz electrical input with serviceable constant-current drivers (<20% THD, >0.90 PF). See 'CONTROL' for dimming information. Minimum 85% driver efficiency.

**CONTROL:** Integrated low-voltage controller with dimming (MLVCD) for pillow-switch/wall-control of ambient, exam and reading modes. "Ambient" mode operates the primary light engine at 50% output. A sustained button press on the wall/bed controller sweeps light intensity (dimming) from 50% down to 0% (bi-directionally). "Exam" mode operates the primary light engine at 100% output. Dimming is not possible in "Exam mode." "Reading" mode operates an integral secondary light engine positioned nearest the headwall. A sequential button press and hold on the wall/bed controller changes intensity (100%/66%/33%) bi-directionally. Optional secondary conduit entry available.

**INSTALLATION:** Suitable for Type-IC recessed ceiling installation into 9/16" and 15/16" lay-in and regular grid ceilings, flanged drywall ceilings and trimless mud-in installations with 5/8" drywall. See Ordering Information for Ceiling Type selection. Suitable for 0°C - 40°C ambient temperature environments.

**PHOTOMETRICS:** Photometry tested to the IESNA LM-79-08 standard by an ILAC/ISO17025 accredited laboratory. For detailed photometric information, please visit [www.kenall.com](http://www.kenall.com).

**WARRANTY:** Limited five (5) year warranty.

**LISTINGS:** Luminaire is certified to UL standards by Intertek Testing Laboratories for Type-IC and Wet Location installations. IP64 rating per IEC60598. NSF2 Splash/Non-Food Zone rated. Standard CCEA compliance.



#### ORDERING INFORMATION (Ex: MAERS4-48-TG-RASYM-20L/50L/8L-35K8-DIM1-DV-LEL)

Model	Length	Ceiling Configuration	Optical Distribution	Lamp Power	Lamp Color	Driver Type	Voltage	Controls	Options
<b>MAERS4</b>	<b>48</b>					<b>DIM1</b>	<b>DV</b>		
	<b>Nominal Length</b>			<b>Lamp Power</b>		<b>Driver Type</b>			
	48 4'			20L/50L 20W Ambient/50W Exam		<b>DIM1</b> 0-10V Dimming to 1% (see Control description for detail)			
				20L/50L/8L 20W Ambient/50W Exam/8W Reading					
	<b>Ceiling Configuration</b>			<b>Lamp Color</b>		<b>Input Voltage</b>			
	G 9/16" and 15/16" Lay-In Grid			30K8 3000K / 80 CRI min.		<b>DV</b> 120-277VAC, 50/60Hz			
	TG 9/16" and 15/16" Tegular Grid			30K9 3000K / 90 CRI min.					
	FL Flange			35K8 3500K / 80 CRI min.					
	TM Trimless Mud-In for 5/8" Drywall			35K9 3500K / 90 CRI min.					
	<b>Optical Distribution</b>			40K8 4000K / 80 CRI min.		<b>Controls</b>			
	RASYM Asymmetric, Right Throw			40K9 4000K / 90 CRI min.		MLVCD Integrated Low Voltage Controller with Dimming			
	LASYM Asymmetric, Left Throw					MLVCDs Integrated Low Voltage Controller with Dimming and Secondary Conduit Entry			
						<b>Options</b>			
						LEL Integral Emergency Battery Backup with Remote Test Button			
						FS Fuse & Holder			

#### ACCESSORIES ORDERED SEPERATELY

**MPWS** Low Voltage Wall Switch (Click [here](#) for Specifications)



[www.kenall.com](http://www.kenall.com) | P: 800-4-Kenall | F: 262-891-9701 | 10200 55th Street Kenosha, Wisconsin 53144, USA

A brand of **legrand**

This product complies with the Buy American Act: manufactured in the United States with more than 50% of the component cost of US origin. It may be covered by patents found at [www.kenall.com/patents](http://www.kenall.com/patents). Content of specification sheets is subject to change; please consult [www.kenall.com](http://www.kenall.com) for current product details. ©2019 Kenall Mfg. Co.

# MEDMASTER® MEDSLOT™

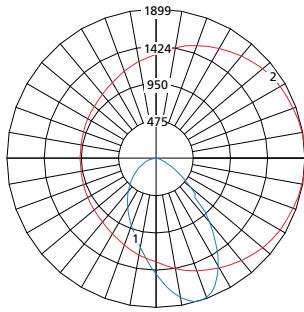
Multi-Function Luminaires for Patient Rooms

## MAERS4 SERIES

PERFORMANCE		Initial Delivered Lumens, by Lamp Color (lm)						Efficacy (lm/W)	Input Power (W)	Estd. L70 LED Life (Hrs)
Function	Lamp Power	30K8	30K9	35K8	35K9	40K8	40K9			
Ambient	20L	3,022	2,480	3,092	2,540	3,059	2,603	86 - 108	29	80,000
Exam	50L	5,345	4,386	5,468	4,493	5,410	4,604	77 - 96	57	80,000
Reading	8L	957	785	979	804	969	824	76 - 95	10	80,000

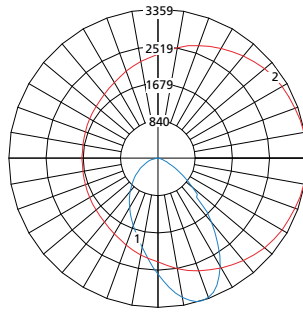
Information subject to change without notice. Visit [www.kenall.com](http://www.kenall.com) for IES files and additional information.

Model: MAERS4-yy-LASYM-20L-50L-8L-40K8-DIM1-zzz Ambient



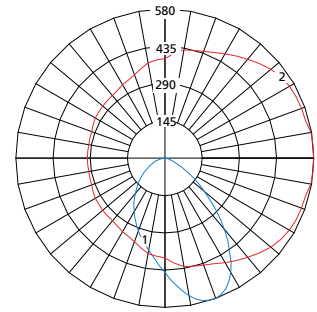
Maximum Candela = 1899 Located At Horizontal Angle = 0, Vertical Angle = 17.5  
 1 - Vertical Plane Through Horizontal Angles (0-180) (Through Max. Cd.)  
 2 - Horizontal Cone Through Vertical Angle (17.5) (Through Max. Cd.)

Model: MAERS4-yy-LASYM-20L-50L-8L-40K8-DIM1-zzz Exam



Maximum Candela = 3359 Located At Horizontal Angle = 0, Vertical Angle = 17.5  
 1 - Vertical Plane Through Horizontal Angles (0-180) (Through Max. Cd.)  
 2 - Horizontal Cone Through Vertical Angle (17.5) (Through Max. Cd.)

Model: MAERS4-yy-LASYM-20L-50L-8L-40K8-DIM1-zzz Reading

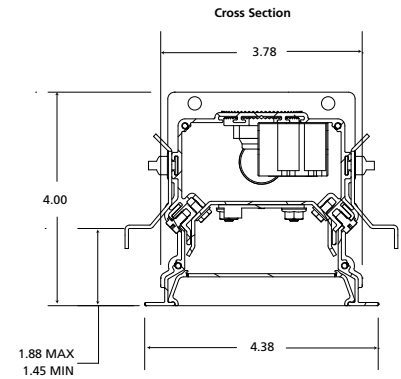
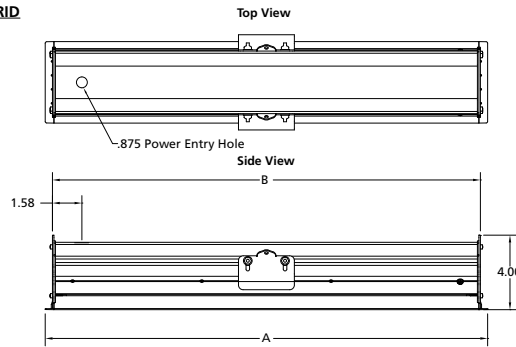


Maximum Candela = 580 Located At Horizontal Angle = 0, Vertical Angle = 20  
 1 - Vertical Plane Through Horizontal Angles (0-180) (Through Max. Cd.)  
 2 - Horizontal Cone Through Vertical Angle (20) (Through Max. Cd.)

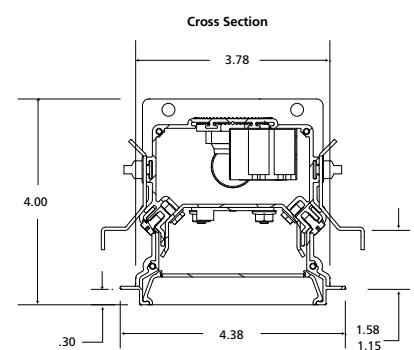
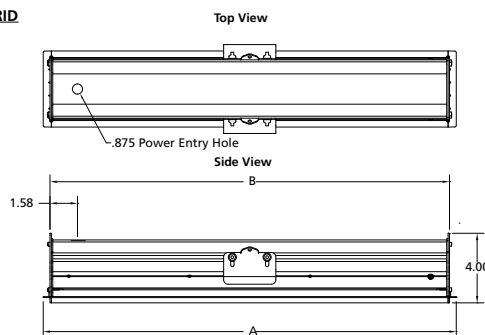
### DIMENSIONAL DATA

Nominal Length	Ceiling Configuration	A	B
48	LAY-IN GRID	47.75"	46.97"
	TEGULAR	47.75"	46.97"

#### LAY-IN GRID



#### TEGULAR GRID



[www.kenall.com](http://www.kenall.com) | P: 800-4-Kenall | F: 262-891-9701 | 10200 55th Street Kenosha, Wisconsin 53144, USA

This product complies with the Buy American Act: manufactured in the United States with more than 50% of the component cost of US origin. It may be covered by patents found at [www.kenall.com/patents](http://www.kenall.com/patents). Content of specification sheets is subject to change; please consult [www.kenall.com](http://www.kenall.com) for current product details. ©2019 Kenall Mfg. Co.

A brand of **legrand**

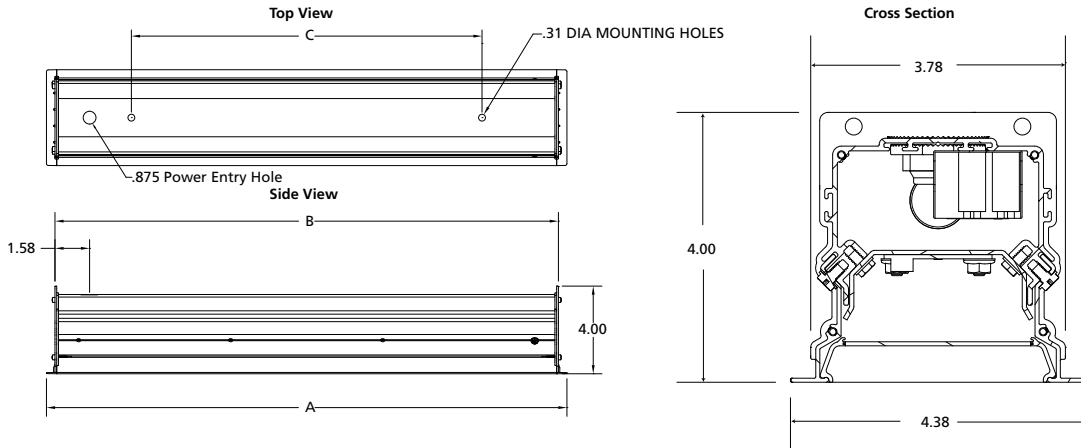
# MEDMASTER® MEDSLOT™

## Multi-Function Luminaires for Patient Rooms

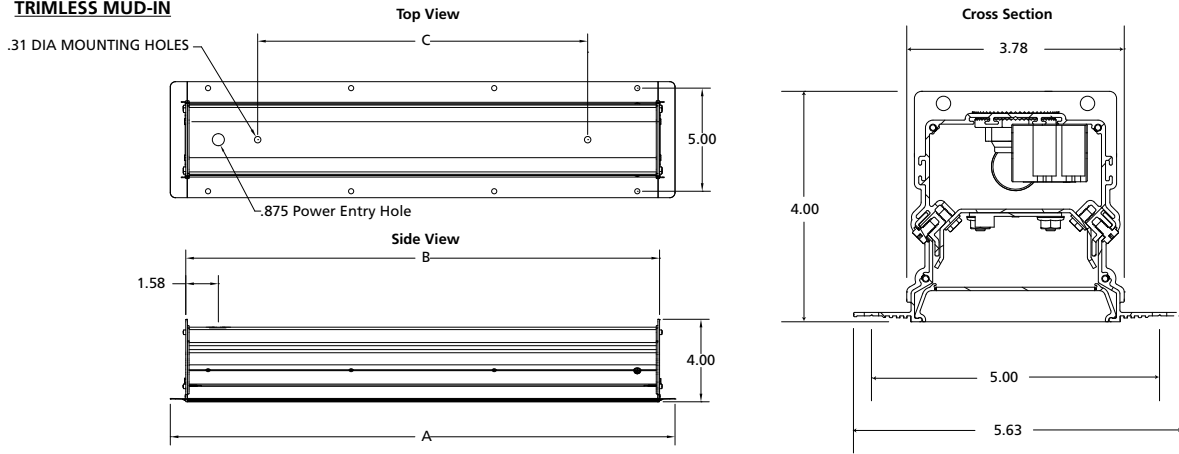
### MAERS4 SERIES

#### DIMENSIONAL DATA

##### FLANGE

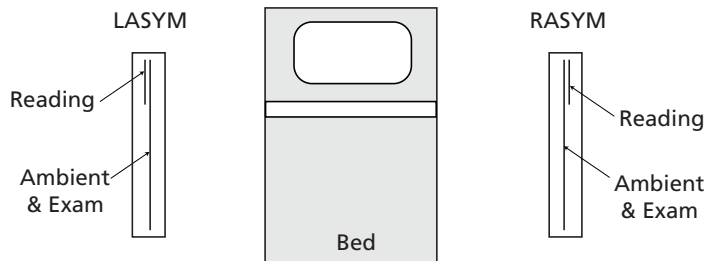


##### TRIMLESS MUD-IN



Nominal Length	Ceiling Configuration	A	B	C	Ceiling Cut-Out
48	FLANGE	47.75"	46.97"	40.00"	3.875" x 47.25"
	TRIMLESS	48.47"	46.97"	40.00"	

#### LUMINAIRE ORIENTATION / LAYOUT (must be specified in pairs)



NOTE: The power feed hub (supplied) is located toward the headwall.



www.kenall.com | P: 800-4-Kenall | F: 262-891-9701 | 10200 55th Street Kenosha, Wisconsin 53144, USA

This product complies with the Buy American Act: manufactured in the United States with more than 50% of the component cost of US origin. It may be covered by patents found at [www.kenall.com/patents](http://www.kenall.com/patents). Content of specification sheets is subject to change; please consult [www.kenall.com](http://www.kenall.com) for current product details. ©2019 Kenall Mfg. Co.

A brand of **legrand**