

MEDMASTER® MEDSLOT™

Luminaires for Patient/Exam Rooms

MRS4 SERIES

PRODUCT FEATURES:

- » 4" recessed linear slot luminaire in multiple lengths
- » Single-function luminaire provides ambient lighting within the patient room
- » Symmetric and 15° asymmetric optical distribution options
- » No visible room-side fasteners for clean aesthetic
- » High-output, high-CRI LED lamp sources



PROJECT INFORMATION

Job Name _____

Fixture Type _____

Catalog Number _____

Approved by _____

SPECIFICATIONS

HOUSING: Extruded 6063-T5 aluminum construction with gasketed aluminum endcaps. Low-gloss anti-microbial white TGIC polyester powder-coat finish with five-stage pre-treatment.

OPTIC: Symmetric (Lambertian) or 15° asymmetric distribution option. Snap-in, one-piece extruded frost DR acrylic diffuser.

LED MODULE: Serviceable mid-power LED array. Minimum 82 CRI standard (R9>20). See Ordering Information for available color temperature options.

DRIVER: 120-277VAC or 347VAC, 50/60Hz electrical input with serviceable constant-current driver (<20% THD, >0.90 PF). Minimum 85% driver efficiency. Standard 0-10V dimming with 1-100% range and dim-to-dark capabilities (non dim-to-dark with 347V); maximum 330 µA maximum source current. Optional eldoLED ECOdrive DALI drivers with 1-100% range and Lutron EcoSystem dimming drivers with 1-100% range and Soft-On, Fade-to-Black.

INSTALLATION: Suitable for Type-IC recessed ceiling installation into 9/16" and 15/16" lay-in and tegular grid ceilings, flanged drywall ceilings and trimless mud-in installations with 5/8" drywall. See Ordering Information for selection. Suitable for 0°C - 40°C ambient temperature environments.

PHOTOMETRICS: Photometry tested to the IESNA LM-79-08 standard by an ILAC/ISO17025 accredited laboratory. For detailed photometric information, please visit www.kenall.com.

WARRANTY: Limited five (5) year warranty.

LISTINGS: Luminaire is certified to UL standards by Intertek Testing Laboratories for Type-IC and Wet Location installations. IP64 rating per IEC60598. NSF2 Splash/Non-Food Zone rated. Standard CCEA compliance.



ORDERING INFORMATION (Ex: MRS4-48-FL-ASYM-750LF-35K9-DIM1-DV-LEL)

Model	Length	Ceiling Configuration	Optical Distribution	Lumen Output	Lamp Color	Driver Type	Voltage	Options
MRS4								
Nominal Length				Lumen Output		Driver Type		
24	2'			500LF	500 lumens/ft	DIM1	0-10V Dimming to 1%	
36	3'			750LF	750 lumens/ft	DALI*	DALI Dimming to 1% (n/a with 6' length, and 1200LF in 8' length)	
48	4'			1200LF	1200 lumens/ft	ECO1†	Lutron EcoSystem Dimming to 1%	
72	6'							
96	8'							
Ceiling Configuration				Lamp Color		Input Voltage		
G	9/16" and 15/16" Lay-In Grid			30K8	3000K / 80 CRI min.	DV	120-277VAC, 50/60Hz	
TG	9/16" and 15/16" Tegular Grid			30K9	3000K / 90 CRI min.	347	347VAC, 60Hz (n/a with 2' and 3' lengths)	
FL	Flange			35K8	3500K / 80 CRI min.			
TM	Trimless Mud-In for 5/8" Drywall			35K9	3500K / 90 CRI min.			
				40K8	4000K / 80 CRI min.			
				40K9	4000K / 90 CRI min.			
Optical Distribution								
SYM	Symmetric							
ASYM	Asymmetric							
						Options		
						LEL*	Integral Emergency Battery Backup with Remote Test Button	
						LVC*	Low Voltage Controller (click here for specifications)	
						LVCD*	Low Voltage Controller with Dimming (click here for specifications)	
						FS	Fuse & Holder	

* n/a with 347V

† Only available in 4' and 8' lengths. Available in 500LF and 750LF lumen outputs when ordered with ASYM distribution

ACCESSORIES ORDERED SEPERATELY

MPWS Low Voltage Wall Switch (Click [here](#) for Specifications)



www.kenall.com | P: 800-4-Kenall | F: 262-891-9701 | 10200 55th Street Kenosha, Wisconsin 53144, USA

A brand of Legrand

This product complies with the Buy American Act: manufactured in the United States with more than 50% of the component cost of US origin. It may be covered by patents found at www.kenall.com/patents. Content of specification sheets is subject to change; please consult www.kenall.com for current product details. ©2019 Kenall Mfg. Co.

MEDMASTER® MEDSLOT™

Luminaires for Patient/Exam Rooms

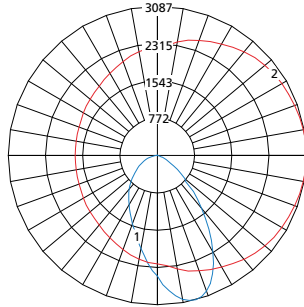
MRS4 SERIES

PERFORMANCE

Distribution Type	Nominal Lumen Output	Initial Delivered Lumens per Foot, by Lamp Color (lm/ft)						Efficacy (lm/W)	Unit Input Power (W/ft)	Estd. L70 LED Life (Hrs)
		30K8	30K9	35K8	35K9	40K8	40K9			
ASYM	500LF	517	424	529	434	523	445	88 - 110	5	85,000
	750LF	757	621	774	636	766	652	87 - 108	7	85,000
	1200LF	1,188	975	1,215	998	1,202	1,023	79 - 99	12	85,000
SYM	500LF	473	409	488	419	504	429	104 - 128	4	85,000
	750LF	707	611	729	626	754	641	104 - 128	6	85,000
	1200LF	1,137	983	1,172	1,007	1,212	1,032	98 - 121	10	85,000

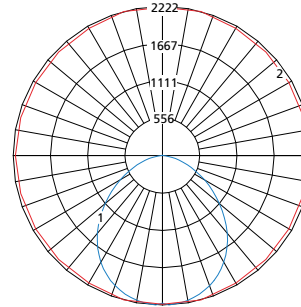
Nominal Lumen Output values based on 40K8 lamp color. Information subject to change without notice. Visit www.kenall.com for IES files and additional information.

Model: MRS4-48-yy-ASYM-1200LF-40K8-DIM1-zzz



Maximum Candela = 3087 Located At Horizontal Angle = 0, Vertical Angle = 15
 — 1 - Vertical Plane Through Horizontal Angles (0-180) (Through Max. Cd.)
 — 2 - Horizontal Cone Through Vertical Angle (15) (Through Max. Cd.)

Model: MRS4-48-yy-SYM-1200LF-40K8-DIM1-zzz

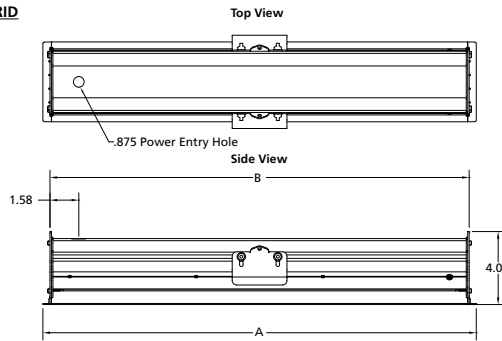


Maximum Candela = 2222 Located At Horizontal Angle = 75, Vertical Angle = 2.5
 — 1 - Vertical Plane Through Horizontal Angles (75-255) (Through Max. Cd.)
 — 2 - Horizontal Cone Through Vertical Angle (2.5) (Through Max. Cd.)

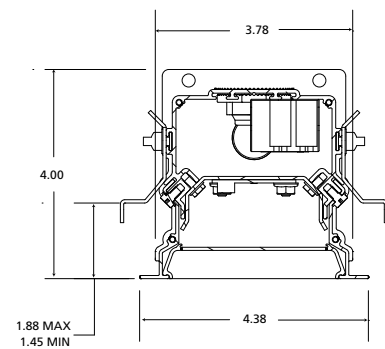
DIMENSIONAL DATA

Nominal Length	Ceiling Configuration	A	B
24	LAY-IN GRID	23.75"	22.97"
	TEGULAR	23.75"	22.97"
36	LAY-IN GRID	35.75"	34.97"
	TEGULAR	35.75"	34.97"
48	LAY-IN GRID	47.75"	46.97"
	TEGULAR	47.75"	46.97"
72	LAY-IN GRID	71.75"	70.97"
	TEGULAR	71.75"	70.97"
96	LAY-IN GRID	95.75"	94.97"
	TEGULAR	95.75"	94.97"

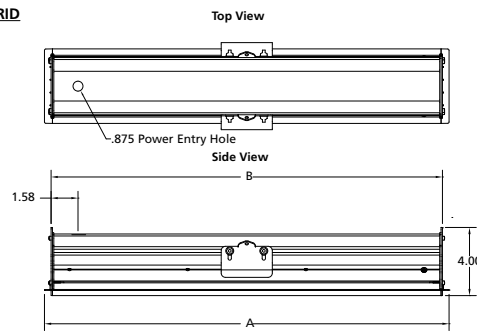
LAY-IN GRID



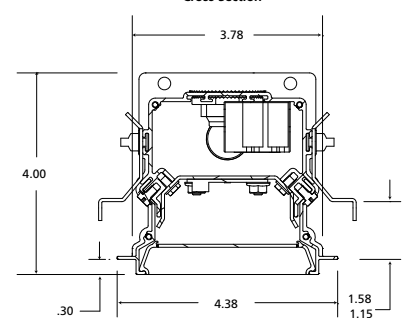
Cross Section



TEGULAR GRID



Cross Section



www.kenall.com | P: 800-4-Kenall | F: 262-891-9701 | 10200 55th Street Kenosha, Wisconsin 53144, USA

This product complies with the Buy American Act: manufactured in the United States with more than 50% of the component cost of US origin. It may be covered by patents found at www.kenall.com/patents. Content of specification sheets is subject to change; please consult www.kenall.com for current product details. ©2019 Kenall Mfg. Co.

A brand of **legrand**

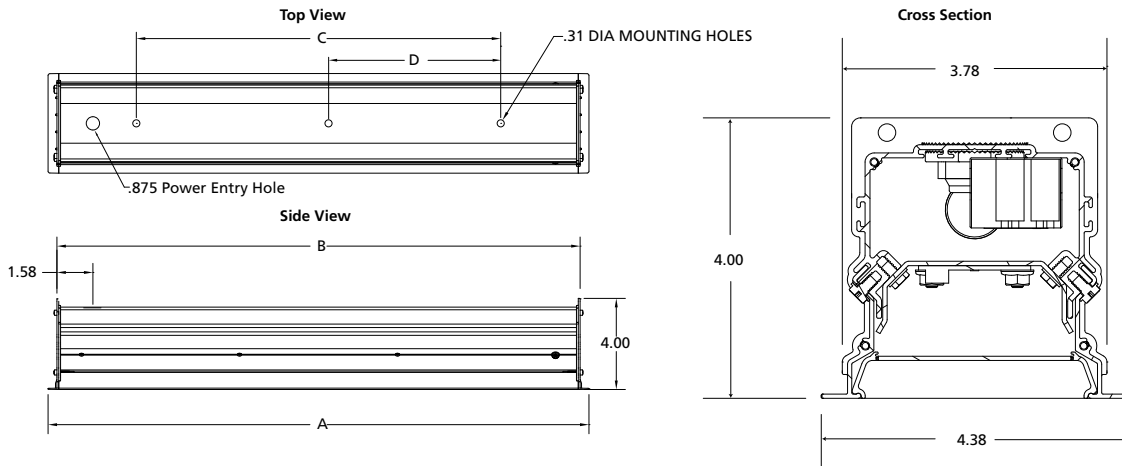
MEDMASTER® MEDSLOT™

Luminaires for Patient/Exam Rooms

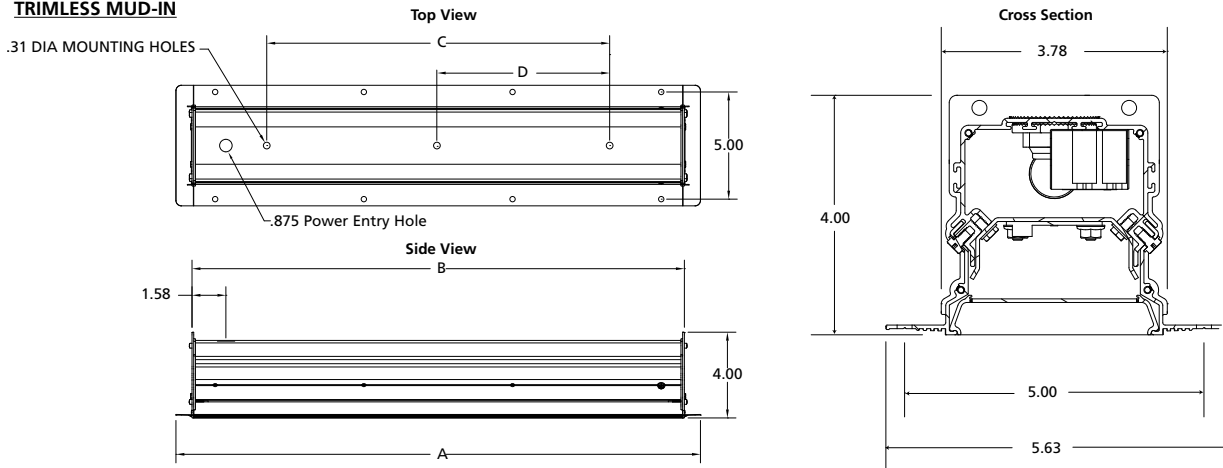
MRS4 SERIES

DIMENSIONAL DATA

FLANGE



TRIMLESS MUD-IN



Nominal Length	Ceiling Configuration	A	B	C	D	Ceiling Cut-Out
24	FLANGE	23.75"	22.97"	16.00"	----	3.875" × 23.25"
	TRIMLESS	24.47"	22.97"	16.00"	----	
36	FLANGE	35.75"	34.97"	28.00"	----	3.875" × 35.25"
	TRIMLESS	36.47"	34.97"	28.00"	----	
48	FLANGE	47.75"	46.97"	40.00"	----	3.875" × 47.25"
	TRIMLESS	48.47"	46.97"	40.00"	----	
72	FLANGE	71.75"	70.97"	32.00"	16.00"	3.875" × 71.25"
	TRIMLESS	72.47"	70.97"	32.00"	16.00"	
96	FLANGE	95.75"	94.97"	44.00"	22.00"	3.875" × 95.25"
	TRIMLESS	96.47"	94.97"	44.00"	22.00"	



www.kenall.com | P: 800-4-Kenall | F: 262-891-9701 | 10200 55th Street Kenosha, Wisconsin 53144, USA

This product complies with the Buy American Act: manufactured in the United States with more than 50% of the component cost of US origin. It may be covered by patents found at www.kenall.com/patents. Content of specification sheets is subject to change; please consult www.kenall.com for current product details. ©2019 Kenall Mfg. Co.

A brand of **legrand**