

MEDMASTER™ TROFFER

MT SERIES

PRODUCT FEATURES:

- » Recessed mount – Flange or Grid; 2'×2', 2'×4'
- » High-output, high-CRI LED lamp options
- » NSF2 rating for ease of wipe-down cleaning



MT22

MT24

PROJECT INFORMATION

Job Name _____

Fixture Type _____

Catalog Number _____

Approved by _____

SPECIFICATIONS

HOUSING/REFLECTOR: Fabricated aluminum construction. Matte white powder coat finish with five-stage pre-treatment.

LENS: Extruded frosted acrylic.

ELECTRICAL: Serviceable mid-power LED array. Available 3000K, 3500K, 4000K and 5000K color temperatures with maximum 3-step MacAdam variation allowance. Minimum 80 CRI standard with optional minimum 90 CRI available. 120/277VAC or 347VAC, 50/60Hz electrical input with replaceable high power factor electronic, constant-current driver (<10% THD, >0.90 PF). Minimum 85% driver efficiency. Standard 0-10V dimming with 1-100% range. 200 µA maximum source current.

INSTALLATION: Designed 1" T-grid and drywall ceilings. Drywall ceiling installation requires Drywall Frame Kit (FA) Accessory.

WARRANTY: Limited five (5) year warranty.

PHOTOMETRICS: Photometry tested to the IESNA LM-79-08 standard by an ILAC/ISO17025 accredited laboratory. For additional photometric data, please go to www.kenall.com.

LISTINGS: Luminaire is certified to UL Standards by Intertek Testing Laboratory for Damp Location and non-IC installations. NSF2 Splash/Non-Food Zone.



ORDERING INFORMATION (Ex: MT24-67L-40K8-DIM1-DV)

Model	Lamp Power	Lamp Color	Driver Type	Voltage	Options	Accessories
DIM1						
Model	Lamp Power	Lamp Color		Voltage	Options	
MT22 2'×2'	2×2	30K8 3000K / 80 CRI min.		DV 120-277 Volts	LEL* Integral Battery Backup (min. 32°F/0°C ambient)	
MT24 2'×4'	45L 45 Watt White LED	30K9 3000K / 90 CRI min.		347 347 Volts	FS Fuse & Holder	
	2×4	35K8 3500K / 80 CRI min.			Accessories	
	45L 45 Watt White LED	35K9 3500K / 90 CRI min.			FA Drywall Frame Kit	
	67L 67 Watt White LED	40K8 4000K / 80 CRI min.				
	90L 90 Watt White LED	40K9 4000K / 90 CRI min.				
		Driver Type				
		DIM1 0-10V Dimming to 1%				

* Height of fixture is 6.75" with LEL option



MEDMASTER™ TROFFER

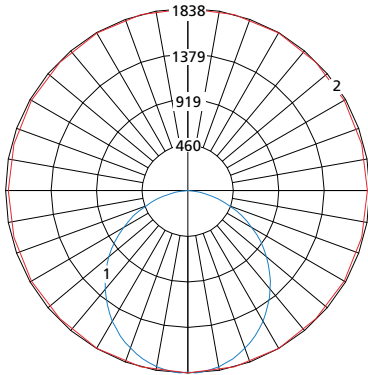
MT SERIES

PERFORMANCE

Model	Lamp Power	Initial Delivered Lumens, By Lamp Color						Efficacy (lm/W)	Input Power (W)	Drive Current (mA)	Estd. L70 LED Life (hrs)
		30K8	30K9	35K8	35K9	40K8	40K9				
MT22	45L	5,274	4,860	5,437	4,984	5,622	5,073	100 - 116	49	100	80,000
MT24	45L	5,371	4,950	5,538	5,076	5,726	5,166	101 - 117	49	100	100,000
	67L	8,036	7,405	8,284	7,594	8,567	7,729	103 - 119	72	75	100,000
	90L	10,437	9,618	10,760	9,863	11,127	10,039	99 - 115	97	100	80,000

Information subject to change without notice. Visit www.kenall.com for IES files and additional information.

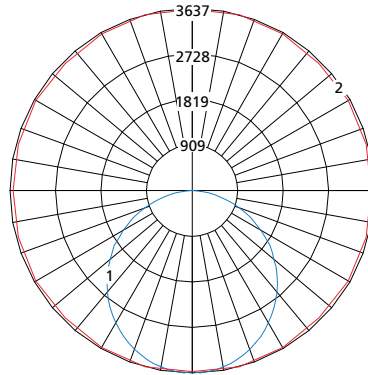
Model: MT22-45L-40K8-DIM1-DV



Maximum Candela = 1838 Located At Horizontal Angle = 90, Vertical Angle = 2.5

- 1 - Vertical Plane Through Horizontal Angles (90-270) (Through Max. Cd.)
- 2 - Horizontal Cone Through Vertical Angle (2.5) (Through Max. Cd.)

Model: MT24-90L-40K8-DIM1-DV

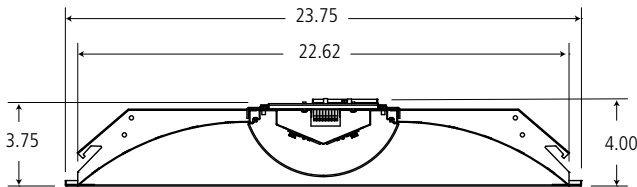


Maximum Candela = 3637 Located At Horizontal Angle = 75, Vertical Angle = 2.5

- 1 - Vertical Plane Through Horizontal Angles (75-255) (Through Max. Cd.)
- 2 - Horizontal Cone Through Vertical Angle (2.5) (Through Max. Cd.)

DIMENSIONAL DATA

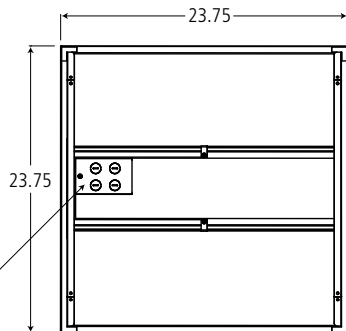
CROSS SECTION



RECOMMENDED CEILING CUTOUT (DRYWALL INSTALLATION)

MT22	24.50" x 24.50"
MT24	24.50" x 48.50"

MT22 TOP VIEW



MT24 TOP VIEW

