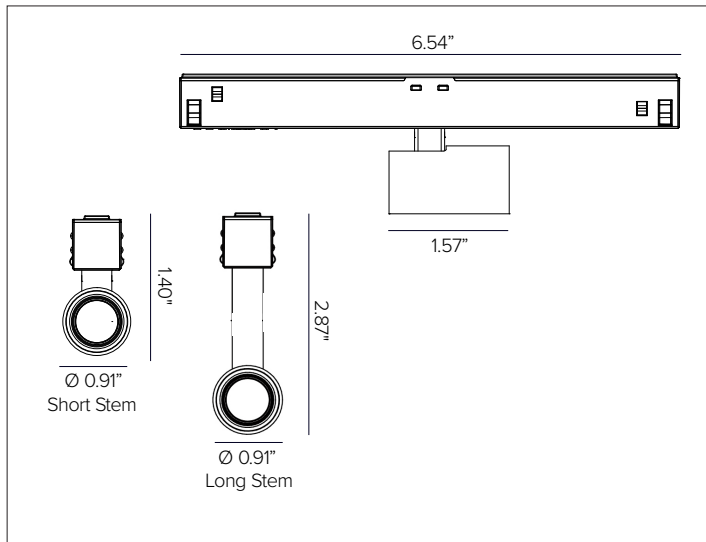


FORTYEIGHT LABEL 2

Low Voltage LED Track Projector



FORTYEIGHT LABEL 2 shown in Deep Black finish.



CONCEPT

Professional low voltage adjustable LED track projector.

MECHANICAL CHARACTERISTICS

| | |
|-------------------------|---|
| Dimensions | 0.91" Diameter x 1.57" D |
| Materials | Die-cast aluminum finished body. |
| Finish | ● Plaster White ● Deep Black |
| Power Connection | To be completed with FORTYEIGHT MULTISYSTEM low voltage polarized track. |
| Functionality | Tool-less installation, utilizing a mechanical fixture system that mounts to FORTYEIGHT MULTISYSTEM track system. NOTE: Max of 4 connectors or 30ft of track per individual 96W power supply and/or 90W. Can be used in combination with FORTYEIGHT fixture range to maximum of 90W per 96W, 48V driver. |
| Mounting | FORTYEIGHT MULTISYSTEM track system, sold separately. Surface version NOT compatible with FORTYEIGHT RECESSED DEEP TRIMLESS track. Fixture can be vertically adjusted from 0° to 90° and horizontally up to 420° with friction locking system. |
| Weight | 0.29lbs |
| Protection | IP20 |

CERTIFICATIONS

cULus Class 2 Listed
 Tested in accordance with LM-79-08.
 Compliant for California installations
 RoHS3 EU 215/863

WARRANTY

5 year limited warranty.

SUSTAINABILITY

Luminaire designed for disposal/recycling at end-of-life. Replaceable LED light source and control gear by a Targetti technician.

ELECTRICAL CHARACTERISTICS

| | |
|---------------------|--|
| Power Supply | Remote 48V driver required, refer to FORTYEIGHT MULTISYSTEM track spec sheet. |
| Wattage | 3W |
| Voltage | 48V |
| Control | 0-10V group fixture control. For individual fixture control DALI or wireless DALI/Casambi. For wireless bluetooth control via Casambi, use DALI fixture in combination with APP1-M-C0-9519 wireless control interface, refer to FORTYEIGHT MULTISYSTEM track specification sheet for detailed information. |

SOURCE

High efficiency LED emitter.

| TM30 | CCT (Nominal) | CRI | R _f | R _g | SDCM |
|------|---------------|-----|----------------|----------------|------|
| | 2700K | 90 | 88 | 104 | 1.5 |
| | 3000K | 90 | 89 | 104 | 1.5 |
| | 3500K | 90 | 91 | 100 | 1.5 |
| | 4000K | 90 | 92 | 99 | 1.5 |

OPTIC

Transparent PMMA lens and holographic filter with different apertures based on the version.

| Beam | SP 13° | FL 31° | MWFL 49° |
|--|---|--------|----------|
| Delivered Lumens | 2700K 112Lm | 101Lm | 97Lm |
| <i>Refer to photometry section for all fixture variations.</i> | 3000K 118Lm | 106Lm | 102Lm |
| | 3500K 123Lm | 111Lm | 106Lm |
| | 4000K 128Lm | 115Lm | 110Lm |
| Efficacy | 43 Lm/W max. Refer to photometric graphs for specific values. | | |
| Lifetime | L90/B10 >30,000hrs at max TA +25°C L82/B10 >50,000hrs at max TA +25°C L72/B10 >80,000hrs at max TA +25°C L67/B10 >100,000hrs at max TA +25°C | | |
| Photobiological Classification | Low risk photobiological safety RG1 | | |

FORTYEIGHT LABEL 2

11 – ACCESSORIES (OPTIONAL)



'Blade of Light' linear spread lens. PMMA holographic filter.

Part No. **1T6939**

FORTYEIGHT LABEL 2

PHOTOMETRY

SPOT

| 2700K | | H(m) | D(m) | Emax(lx) | | |
|---------------|------------------------------|------------------|--------|----------|------|----|
| Ra90 | | | 13° | | | |
| Fixture Power | 3W | 1 | 0.23 | 1052 | | |
| Source Flux | 134lm | 2 | 0.45 | 263 | | |
| Fixture Flux | 112lm | 3 | 0.68 | 117 | | |
| Efficacy | 37lm/W | 4 | 0.90 | 66 | | |
| A6361 | I _{max} =7873cd/klm | I _{max} | 1052cd | 5 | 1.13 | 42 |

| 3000K | | H(m) | D(m) | Emax(lx) | | |
|---------------|------------------------------|------------------|--------|----------|------|----|
| Ra90 | | | 13° | | | |
| Fixture Power | 3W | 1 | 0.23 | 1107 | | |
| Source Flux | 141lm | 2 | 0.45 | 277 | | |
| Fixture Flux | 118lm | 3 | 0.68 | 123 | | |
| Efficacy | 39lm/W | 4 | 0.90 | 69 | | |
| A6362 | I _{max} =7873cd/klm | I _{max} | 1107cd | 5 | 1.13 | 44 |

| 3500K | | H(m) | D(m) | Emax(lx) | | |
|---------------|------------------------------|------------------|--------|----------|------|----|
| Ra90 | | | 13° | | | |
| Fixture Power | 3W | 1 | 0.23 | 1152 | | |
| Source Flux | 146lm | 2 | 0.45 | 288 | | |
| Fixture Flux | 123lm | 3 | 0.68 | 128 | | |
| Efficacy | 41lm/W | 4 | 0.90 | 72 | | |
| A6363 | I _{max} =7873cd/klm | I _{max} | 1152cd | 5 | 1.13 | 46 |

| 4000K | | H(m) | D(m) | Emax(lx) | | |
|---------------|------------------------------|------------------|--------|----------|------|----|
| Ra90 | | | 13° | | | |
| Fixture Power | 3W | 1 | 0.23 | 1196 | | |
| Source Flux | 152lm | 2 | 0.45 | 299 | | |
| Fixture Flux | 128lm | 3 | 0.68 | 133 | | |
| Efficacy | 43lm/W | 4 | 0.90 | 75 | | |
| A6364 | I _{max} =7873cd/klm | I _{max} | 1196cd | 5 | 1.13 | 48 |

FLOOD

| 2700K | | H(m) | D(m) | Emax(lx) | | |
|---------------|------------------------------|------------------|-------|----------|------|----|
| Ra90 | | | 31° | | | |
| Fixture Power | 3W | 1 | 0.55 | 257 | | |
| Source Flux | 134lm | 2 | 1.10 | 64 | | |
| Fixture Flux | 101lm | 3 | 1.65 | 29 | | |
| Efficacy | 34lm/W | 4 | 2.19 | 16 | | |
| A6365 | I _{max} =1920cd/klm | I _{max} | 257cd | 5 | 2.74 | 10 |

| 3000K | | H(m) | D(m) | Emax(lx) | | |
|---------------|------------------------------|------------------|-------|----------|------|----|
| Ra90 | | | 31° | | | |
| Fixture Power | 3W | 1 | 0.55 | 270 | | |
| Source Flux | 141lm | 2 | 1.10 | 67 | | |
| Fixture Flux | 106lm | 3 | 1.65 | 30 | | |
| Efficacy | 35lm/W | 4 | 2.19 | 17 | | |
| A6366 | I _{max} =1920cd/klm | I _{max} | 270cd | 5 | 2.74 | 11 |

| 3500K | | H(m) | D(m) | Emax(lx) | | |
|---------------|------------------------------|------------------|-------|----------|------|----|
| Ra90 | | | 31° | | | |
| Fixture Power | 3W | 1 | 0.55 | 281 | | |
| Source Flux | 146lm | 2 | 1.10 | 70 | | |
| Fixture Flux | 111lm | 3 | 1.65 | 31 | | |
| Efficacy | 37lm/W | 4 | 2.19 | 18 | | |
| A6367 | I _{max} =1920cd/klm | I _{max} | 281cd | 5 | 2.74 | 11 |

| 4000K | | H(m) | D(m) | Emax(lx) | | |
|---------------|------------------------------|------------------|-------|----------|------|----|
| Ra90 | | | 31° | | | |
| Fixture Power | 3W | 1 | 0.55 | 292 | | |
| Source Flux | 152lm | 2 | 1.10 | 73 | | |
| Fixture Flux | 115lm | 3 | 1.65 | 32 | | |
| Efficacy | 38lm/W | 4 | 2.19 | 18 | | |
| A6368 | I _{max} =1920cd/klm | I _{max} | 292cd | 5 | 2.74 | 12 |

MEDIUM WIDE FLOOD

| 2700K | | H(m) | D(m) | Emax(lx) | | |
|---------------|-----------------------------|------------------|-------|----------|------|---|
| Ra90 | | | 49° | | | |
| Fixture Power | 3W | 1 | 0.90 | 131 | | |
| Source Flux | 134lm | 2 | 1.81 | 33 | | |
| Fixture Flux | 97lm | 3 | 2.71 | 15 | | |
| Efficacy | 32lm/W | 4 | 3.62 | 8 | | |
| A6369 | I _{max} =983cd/klm | I _{max} | 131cd | 5 | 4.52 | 5 |

| 3000K | | H(m) | D(m) | Emax(lx) | | |
|---------------|-----------------------------|------------------|-------|----------|------|---|
| Ra90 | | | 49° | | | |
| Fixture Power | 3W | 1 | 0.90 | 138 | | |
| Source Flux | 141lm | 2 | 1.81 | 35 | | |
| Fixture Flux | 102lm | 3 | 2.71 | 15 | | |
| Efficacy | 34lm/W | 4 | 3.62 | 9 | | |
| A6370 | I _{max} =983cd/klm | I _{max} | 138cd | 5 | 4.52 | 6 |

| 3500K | | H(m) | D(m) | Emax(lx) | | |
|---------------|-----------------------------|------------------|-------|----------|------|---|
| Ra90 | | | 49° | | | |
| Fixture Power | 3W | 1 | 0.90 | 144 | | |
| Source Flux | 146lm | 2 | 1.81 | 36 | | |
| Fixture Flux | 106lm | 3 | 2.71 | 16 | | |
| Efficacy | 35lm/W | 4 | 3.62 | 9 | | |
| A6371 | I _{max} =983cd/klm | I _{max} | 144cd | 5 | 4.52 | 6 |

| 4000K | | H(m) | D(m) | Emax(lx) | | |
|---------------|-----------------------------|------------------|-------|----------|------|---|
| Ra90 | | | 49° | | | |
| Fixture Power | 3W | 1 | 0.90 | 149 | | |
| Source Flux | 152lm | 2 | 1.81 | 37 | | |
| Fixture Flux | 110lm | 3 | 2.71 | 17 | | |
| Efficacy | 37lm/W | 4 | 3.62 | 9 | | |
| A6372 | I _{max} =983cd/klm | I _{max} | 149cd | 5 | 4.52 | 6 |