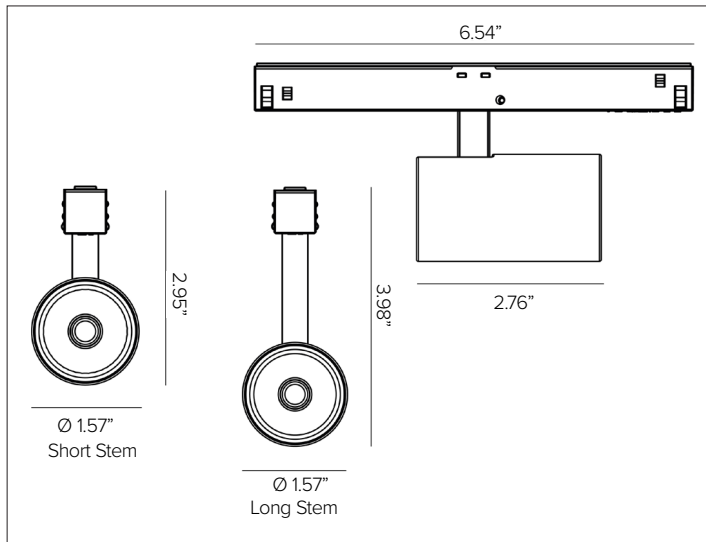


FORTYEIGHT LABEL 4

Low Voltage LED Track Projector



FORTYEIGHT LABEL 4 shown in Deep Black finish.



CONCEPT

Professional low voltage adjustable LED track projector.

MECHANICAL CHARACTERISTICS

Dimensions	1.57" Diameter x 2.76" D
Materials	Die-cast aluminum finished body.
Finish	● Plaster White ● Deep Black
Power Connection	To be completed with FORTYEIGHT MULTISYSTEM low voltage polarized track.
Functionality	Tool-less installation, utilizing a mechanical fixture system that mounts to FORTYEIGHT MULTISYSTEM track system. NOTE: Max of 4 connectors or 30ft of track per individual 96W power supply and/or 90W. Can be used in combination with FORTYEIGHT fixture range to maximum of 90W per 96W, 48V driver.
Mounting	FORTYEIGHT MULTISYSTEM track system, sold separately. Surface version NOT compatible with FORTYEIGHT RECESSED DEEP TRIMLESS track. Fixture can be vertically adjusted from 0° to 90° and horizontally up to 420° with friction locking system.
Weight	0.29lbs
Protection	IP20

CERTIFICATIONS

cULus Class 2 SELV Listed E485491
 Tested in accordance with LM-79-08.
 Compliant for California installations
 RoHS3 EU 215/863

WARRANTY

5 year limited warranty.

SUSTAINABILITY

Luminaire designed for disposal/recycling at end-of-life. Replaceable LED light source and control gear by a Targetti technician.

ELECTRICAL CHARACTERISTICS

Power Supply	Remote 48V driver required, refer to FORTYEIGHT MULTISYSTEM track spec sheet.
Wattage	9W
Voltage	48V
Control	0-10V group fixture control. For individual fixture control DALI or wireless DALI/Casambi. For wireless bluetooth control via Casambi, use DALI fixture in combination with APP1-M-C0-9519 wireless control interface, refer to FORTYEIGHT MULTISYSTEM track specification sheet for detailed information.

SOURCE

High efficiency LED emitter.

TM30	CCT (Nominal)	CRI	Rf	Rg	SDCM
	2700K	90	92	99	1.5
	3000K	90	92	101	1.5
	3500K	90	91	100	1.5
	4000K	90	90	98	1.5

OPTIC

Optical system is dependent on beam angle. SP / FL versions comprised of metalized polycarbonate precision optics with opaque black silicone cut off ring. MWFL version comprised of convex faceted highly reflective anodized aluminum precision optic with opaque black silicone cut off ring.

Beam	SP 18°	FL 27°	MWFL 42°
Delivered Lumens	2700K 577Lm	774Lm	802Lm
	3000K 621Lm	806Lm	835Lm
	4000K 660Lm	819Lm	848Lm

Refer to photometry section for all fixture variations.

For 3500K lumen values use multiplier of 1.02 from 3000K.

Efficacy	96 Lm/W max. Refer to photometric graphs for specific values.
Lifetime	L92/B10 >30,000hrs at max TA +25°C L90/B10 >50,000hrs at max TA +25°C
Photobiological Classification	Low risk photobiological safety RG1

FORTYEIGHT LABEL 4

SPECIFICATION INFORMATION

48	LA	4								10	11
1	2	3	4	5	6	7	8	9		REQUIRED	OPTIONAL

Ex: 48LA410SL1SP27DB

1 - PRODUCT CODE	2 - TYPE	3 - SIZE	4 - CONTROL	5 - STEM	6 - WATTAGE	7 - OPTICS	8 - KELVIN	9 - FINISH
48 — FORTYEIGHT	LA — LABEL	4 — 1.57" Dia.	10 — 0-10V DA ^A — DALI/Wireless Casambi	S ^B — Short L — Long	L1 — 9W	SP — SP 18° FL — FL 27° MW — MWFL 42°	27 — 2700K 30 — 3000K 35 — 3500K 40 — 4000K	PW — Plaster White DB — Deep Black

10 - TRACK	11 - OPTICAL ACCESSORIES
<p>REQUIRED</p> <p>To be completed with FORTYEIGHT MULTISYSTEM TRACK RECESSED TRIMLESS DEEP or SURFACE / SUSPENSION</p>	<p>Anti-Glare Louver See section for details</p> <p>Blade of Light Linear Spread Lens See section for details</p>

^A For wireless bluetooth control via Casambi, use DALI fixture in combination with APPI-M-CO-9519 wireless control interface.
^B Not compatible with Recessed Deep Trimless Track.

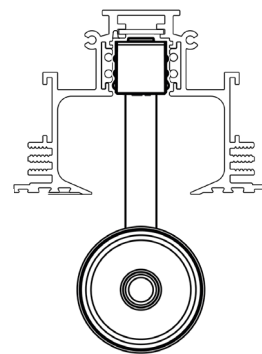
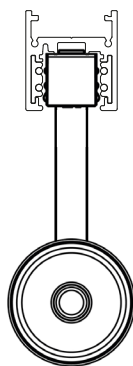
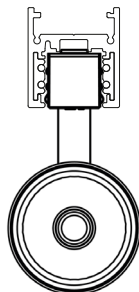
MOUNTING COMPATIBILITY

FORTYEIGHT MULTISYSTEM SURFACE/SUSPENSION TRACK shown with FORTYEIGHT LABEL 4 (S) SHORT STEM fixture version.

FORTYEIGHT MULTISYSTEM SURFACE/SUSPENSION TRACK shown with FORTYEIGHT LABEL 4 (L) LONG STEM fixture version.

FORTYEIGHT RECESSED TRIMLESS DEEP TRACK shown with FORTYEIGHT LABEL 4 (L) LONG STEM fixture version.

NOTE: (S) SHORT STEM fixture version NOT compatible with FORTYEIGHT RECESSED TRIMLESS DEEP TRACK.



FORTYEIGHT LABEL 4

11 – ACCESSORIES (OPTIONAL)



'Blade of Light' linear spread lens. PMMA holographic filter.

Part No. **1T6931**



Anti-glare louver. Lacquered metal honeycomb structure. Complete with holographic diffusion filter.

Finish ● Deep Black

Part No. **1T6930**

FORTYEIGHT LABEL 4

PHOTOMETRY

SPOT



		2700K	H(m)	D(m)	Emax(lx)
		Ra90		18°	
Fixture Power	9W	1	0.31	3913	
Source Flux	912lm	2	0.62	978	
Fixture Flux	577lm	3	0.93	435	
Efficacy	66lm/W	4	1.24	245	
TS1072	Imax=4291cd/klm	Imax	3913cd	5	1.55



		3000K	H(m)	D(m)	Emax(lx)
		Ra90		18°	
Fixture Power	9W	1	0.31	4214	
Source Flux	982lm	2	0.62	1053	
Fixture Flux	622lm	3	0.93	468	
Efficacy	71lm/W	4	1.24	263	
TS1072	Imax=4291cd/klm	Imax	4214cd	5	1.55



		4000K	H(m)	D(m)	Emax(lx)
		Ra90		18°	
Fixture Power	9W	1	0.31	4471	
Source Flux	1042lm	2	0.62	1118	
Fixture Flux	660lm	3	0.93	497	
Efficacy	75lm/W	4	1.24	279	
TS1072	Imax=4291cd/klm	Imax	4471cd	5	1.55

FLOOD



		2700K	H(m)	D(m)	Emax(lx)
		Ra90		27°	
Fixture Power	9W	1	0.48	3074	
Source Flux	1085lm	2	0.95	769	
Fixture Flux	774lm	3	1.43	342	
Efficacy	88lm/W	4	1.91	192	
TS1073	Imax=2834cd/klm	Imax	3074cd	5	2.38



		3000K	H(m)	D(m)	Emax(lx)
		Ra90		27°	
Fixture Power	9W	1	0.48	3199	
Source Flux	1129lm	2	0.95	800	
Fixture Flux	806lm	3	1.43	355	
Efficacy	92lm/W	4	1.91	200	
TS1073	Imax=2834cd/klm	Imax	3199cd	5	2.38



		4000K	H(m)	D(m)	Emax(lx)
		Ra90		27°	
Fixture Power	9W	1	0.48	3250	
Source Flux	1147lm	2	0.95	813	
Fixture Flux	819lm	3	1.43	361	
Efficacy	93lm/W	4	1.91	203	
TS1073	Imax=2834cd/klm	Imax	3250cd	5	2.38

MEDIUM WIDE FLOOD



		2700K	H(m)	D(m)	Emax(lx)
		Ra90		42°	
Fixture Power	9W	1	0.76	1759	
Source Flux	1085lm	2	1.52	440	
Fixture Flux	802lm	3	2.28	195	
Efficacy	91lm/W	4	3.04	110	
TS1074	Imax=1622cd/klm	Imax	1759cd	5	3.80



		3000K	H(m)	D(m)	Emax(lx)
		Ra90		42°	
Fixture Power	9W	1	0.76	1831	
Source Flux	1129lm	2	1.52	458	
Fixture Flux	835lm	3	2.28	203	
Efficacy	95lm/W	4	3.04	114	
TS1074	Imax=1622cd/klm	Imax	1831cd	5	3.80



		4000K	H(m)	D(m)	Emax(lx)
		Ra90		42°	
Fixture Power	9W	1	0.76	1860	
Source Flux	1147lm	2	1.52	465	
Fixture Flux	848lm	3	2.28	207	
Efficacy	96lm/W	4	3.04	116	
TS1074	Imax=1622cd/klm	Imax	1860cd	5	3.80