



WANGO

Product Name: Moon

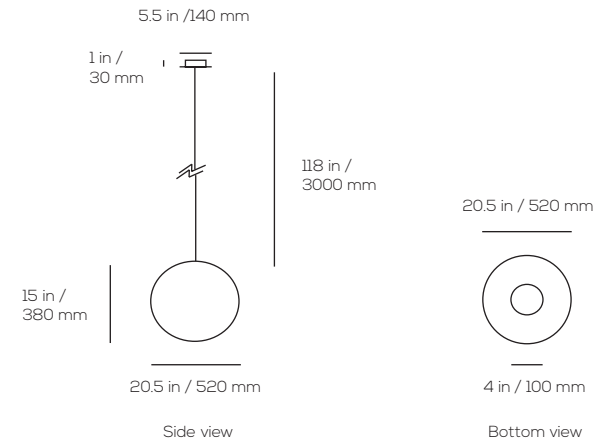
SKU: Full Moon (Natural): AW-CL07013
 Cherry Moon (Red): AW-CL10023
 Midnight Moon (Black): AW-CL06012

Electrics: 9'10" UL/cUL listed cloth-covered cord with 1 x E26 (medium base) shade ring socket
 Bulb Not Supplied
 LED LAMP ONLY 20W maximum



Diffuser Material: Silk Cocoon
 Base Material: Stainless Steel Frame and Wire

Dimensions:
 X: 20.5 in (520 mm)
 Y: 15 in (380 mm)
 Z: 20.5 in (520 mm)
 Weight: 2.4 lbs (1.1 kg)



wakaNINE
 North American Distributor

info@wakanine.com
 512. 284. 9672



The bottom of Moon fixtures is open for easy relamping.



The cord set attaches to the stainless steel frame inside the fixture.



Ango does not manufacture or assemble electrical components utilized in the fixtures. These are sourced from UL/cUL certified manufacturers. As such, Ango shades are hung on UL/cUL certified electrical cordsets and are 100% suitable for commercial installation in North America.



ANGO

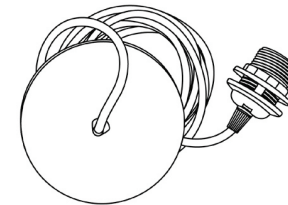
The Moon fixtures are handmade with silk cocoons threaded onto stainless steel wire. The Cherry and Midnight Moons are colored with a water-based dye.

Lead Time: Quick Ship 2-3 business days

Cleaning/Maintenance: Any dust that accumulates generally lies on the halo of silk hair that surrounds each cocoon, making it simple to dust or lightly vacuum.

Flammability: Silk cocoons are naturally non-flammable

9'10" of cloth-covered electrical cord, canopy and installation hardware is supplied standard with the product.



Full Moon and Cherry Moon shipped with WHITE standard;

Midnight Moon shipped with BLACK standard.

Ango fixtures are made with natural materials that have variation in texture and color. The images shown on this page show indicative texture and color. Please contact info@wakanine.com to request materials samples/swatches.

wakaNINE
North American Distributor

info@wakanine.com
512. 284. 9672