

2NGO

Product Name: Unit

SKU: Unit Cocoon Natural: AW-CL15057
Unit Cocoon Black: AW-CL15057B
Unit Cocoon Red: AW-CL15057R
Unit Mulberry: AW-CL16065
Unit Rattan: AW-CL15058

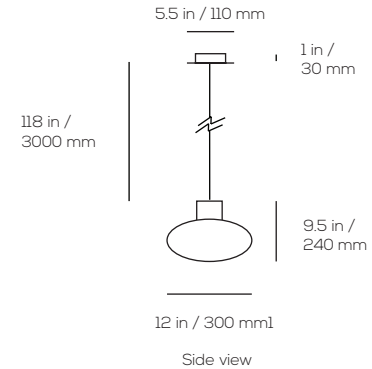
Electrics: 9'10" UL/cUL listed cloth-covered cord
with 1 x E26 (medium base) shade ring socket
Bulb Not Supplied
LED LAMP ONLY 20W maximum



Diffuser material : Silk cocoon (Natural, Black, Red),
Rattan, Mulberry bark
Base Material : Hand finished stainless steel with copper

Dimensions:

X: 12 in (300 mm)
Y: 9.5 in (240 mm)
Z: 12 in (300 mm)
Weight: 2.2 lbs (1 kg)



wakaNINE
North American Distributor

info@wakanine.com
512. 284. 9672



The Unit lights are topped with a top piece, and the shade ring electrics attach to a plate secured to the top with a wing nut and bolt.



Detailed view of the bottom of each type of Unit pendant



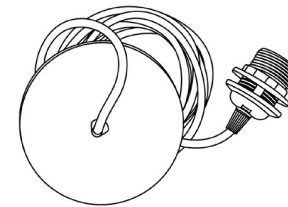
Ango does not manufacture or assemble electrical components utilized in the fixtures. These are sourced from UL/cUL certified manufacturers. As such, Ango shades are hung on UL/cUL certified electrical cordsets and are 100% suitable for commercial installation in North America.

ANGO

Unit Cocoon lights are formed on a hand soldered wire mesh and Unit Rattan is formed of extruded rattan "wire" formed through a random weave technique. Unit Mulberry is made with clusters of prepare mulberry bark fiber hand sewn onto a cotton grid.

Lead Time: Quick Ship 2-3 business days

Cleaning/Maintenance: Rattan diffuser can be dusted and lightly vacuumed to remove any accumulation of dust.



9'10" of WHITE cloth-covered electrical cord, canopy and installation hardware is supplied standard with the product.

Ango fixtures are made with natural materials that have variation in texture and color. The images shown on this page show indicative texture and color. Please contact info@wakanine.com to request materials samples/swatches.

wakaNINE
North American Distributor

info@wakanine.com
512. 284. 9672