

ORDERING CODE

ANGP3

AL1A3

PROJECT INFO

TYPE

DATE

QUANTITY

PM1 Single Pendant Mount					
NOMINAL LENGTH	ACTUAL LENGTH	SOURCE	LUMENS	INPUT WATTS	WEIGHT
15" Long	17.56"	AL1A3	4988	47w	21 lbs.
24" Long	25.94"	AL1A3	9993	90w	27 lbs.

PM2 Twin Pendant Mount					
NOMINAL LENGTH	ACTUAL LENGTH	SOURCE	LUMENS	INPUT WATTS	WEIGHT
15" Long	17.56"	AL1A3	9976	94w	36 lbs.
24" Long	25.94"	AL1A3	19986	180w	48 lbs.

Example: ANGP3 PM1 INT 15LONG AL1A3 30K MVOLT SGW

ANGP3						AL1A3					
SERIES		MOUNT ACCESSORY		ENVIRONMENT		LENGTH		SOURCE		LED CCT	
ANGP3	Asymmetric LED Pendant Mount	PM1	Single Pendant Mount	INT	Interior Location	15LONG	15" Nominal Length	AL1A3	Asymmetric LED 3	30K	3000K CCT
		PM2	Twin Pendant Mount	WL²	Wet Location					35K	3500K CCT
				NT²	Natatorium Construction	24LONG	24" Nominal Length			40K	4000K CCT

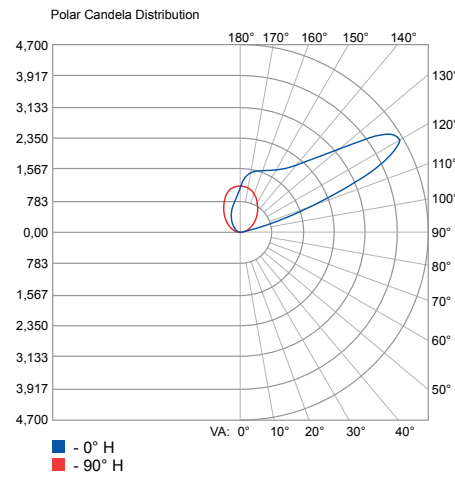
2 Top gasketed lens assembly automatically included with WL or NT selection

MVOLT									
VOLTAGE		ELECTRICAL OPTION		LENS		FINISH		SPECIAL	
MVOLT	120-277V	N100	nLight Enabled (blank) None	CA	Clear Lens (blank) None	SGW	Semi-Gloss White	MOD	Modification (consult factory)
						SGB	Semi-Gloss Black		
						ALP	Aluminum Paint (matte)		
						CPF¹	Custom Paint Finish		

For use with INT option only

1 For custom finish specify MOD

CLEAR LENS



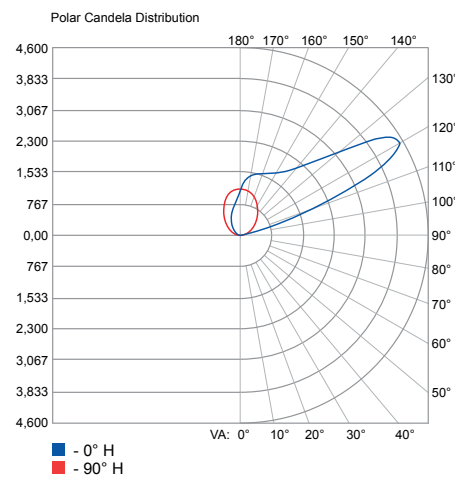
Test Report: **ISF35328 (PRORATED)**
IES LM 79-08
 ANGP3 INT 24LONG 30K (clear lens)

Lumens: **9993**
 Wattage: **90W**
 Efficacy: **111.0**
 Max. Candela: **9278**
 CRI: **81.9**

Zonal Lumen Summary		
Zone	Lumen	% Luminaire
70-100	63.1	0.6%
90-120	3058.7	30.6%
90-180	9950.1	99.6%
0-180	9993	100.0%

Angle	Candlepower Distribution				
	Plane				
	0	45	90	135	180
0	8	8	8	8	8
30	0	14	22	10	0
60	0	12	24	14	4
80	0	12	24	14	4
90	0	14	24	16	4
100	66	485	108	50	22
105	731	1851	234	120	84
110	3360	4281	381	220	166
115	7166	5870	539	323	262
120	9278	5181	691	425	355
125	8508	3985	847	541	457
130	6659	3294	1008	653	549
135	5297	3019	1160	753	643
140	4457	2957	1322	859	753
145	3913	2967	1497	962	847
150	3622	3001	1683	1094	944
160	3334	3021	2005	1422	1274
170	3065	2873	2230	1787	1659
180	2332	2332	2332	2332	2332

WET LOCATION



Test Report: **ISF35327 (PRORATED)**
IES LM 79-08
 ANGP3 WL 24LONG 30K (wet location)

Lumens: **9932**
 Wattage: **90W**
 Efficacy: **110.3**
 Max. Candela: **9189**
 CRI: **81.9**

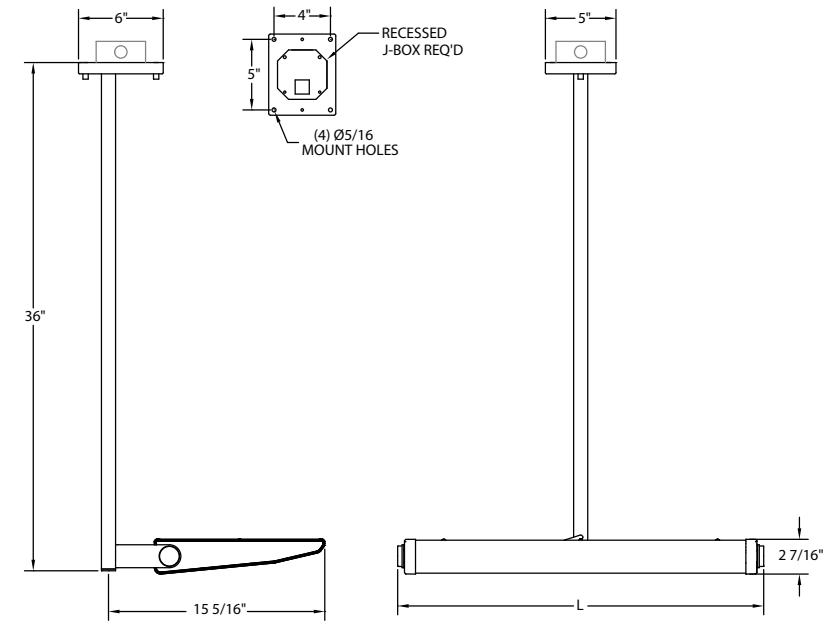
Zonal Lumen Summary		
Zone	Lumen	% Luminaire
70-100	54.9	0.6%
90-120	3051.7	30.7%
90-180	9890.3	99.6%
0-180	9932	100.0%

Angle	Candlepower Distribution				
	Plane				
	0	45	90	135	180
0	6	6	6	6	6
30	0	14	22	10	0
60	2	14	24	14	6
80	0	14	22	14	4
90	0	14	8	8	0
100	66	335	100	58	34
105	509	1923	230	128	98
110	3538	4339	391	228	178
115	7362	5797	545	327	272
120	9189	5056	697	433	371
125	8337	3896	859	549	465
130	6539	3241	1016	657	555
135	5208	2995	1162	761	655
140	4403	2945	1326	865	759
145	3890	2967	1498	968	853
150	3612	2993	1665	1102	956
160	3323	3009	1991	1426	1270
170	3065	2861	2210	1787	1657
180	2308	2308	2308	2308	2308

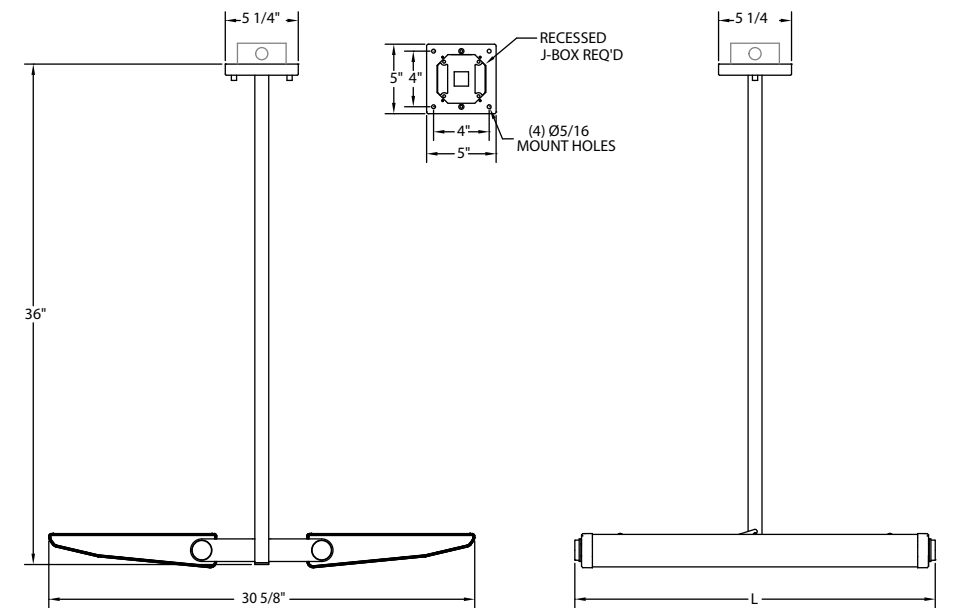
IES data is available at www.alights.com. Always refer to our website for the latest IES files updates.



PM1 Single Pendant Mount	
NOMINAL LENGTH	L
12" Long	14.5"
24" Long	25.94"



PM2 Twin Pendant Mount	
NOMINAL LENGTH	L
12" Long	14.5"
24" Long	25.94"



CONSTRUCTION

Extruded aluminum housing, optional clear acrylic lens, die-cast end caps with stainless steel hardware.

SOURCE

LED lumen packages provide high performance asymmetric distribution in 3000K, 3500K or 4000K color temperature options. Components are designed to be serviceable and replaceable.

L80 >60,000 hours at 25°C ambient temperature.

OPTICS

Advanced asymmetric optical system optimized for LED source and arrayed for specific lumen output and distribution.

FINISH

6 stage pre-treated polyester powder coat painted finish. All hardware is stainless steel.

ELECTRICAL

LED light engine consists of modular LED boards and 0-10V dimming driver rated for 50,000 hours at 25°C ambient temperature, wattage is dependent on luminaire output. eldoLED solodrive power supply integrally mounted. Boards and drivers are modular for replacement or service. Compatible with the following Acuity Controls: nLight nPS 80 EZ and LC&D MicroPanel.

CONTROLS

Optional intelligence allows for constant lumen management and facilitates simple networking and control via CAT-5e cable. nLight components are provided as accessories for remote field installation.

ENVIRONMENT

UL and cUL listed for interior dry or wet location use; optional natatorium construction (NT). Ambient operating temperature -20°C to 40°C.

A+ CAPABLE LUMINAIRE

This item is an A+ capable luminaire, which has been designed and tested to provide consistent color appearance and out-of-the-box control compatibility with simple commissioning.

- All configurations of this luminaire meet the Acuity Brands' specification for chromatic consistency
- This luminaire is part of an A+ Certified solution for nLight® control networks when ordered with drivers marked by a shaded background*
- This luminaire is part of an A+ Certified solution for nLight control networks, providing advanced control functionality at the luminaire level, when selection includes driver and control options marked by a shaded background*

To learn more about A+, visit www.acuitybrands.com/aplus.

*See ordering tree for details

WARRANTY

Limited defect-free manufactured equipment warranty provided under normal use and proper storage for a period of one (1) year. LED products (LED boards and drivers) will be covered for a period of five (5) years. Wet location fixtures are not recommended for extreme wet weather conditions and must be installed according to factory drawings; there is a modified warranty for LED components installed in applications not in accordance with factory recommendations/drawings. Please refer to full terms and conditions on our website.