

ORDERING CODE

ANGP4 **AL1A4**
MVOLT

PROJECT INFO

TYPE

DATE

QUANTITY

PME1 Single Pendant Mount					
NOMINAL LENGTH	ACTUAL LENGTH	SOURCE	LUMENS	INPUT WATTS	WEIGHT
12" Long	14.75"	AL1A4	6571	61w	25 lbs.
24" Long	26.12"	AL1A4	13173	120w	40 lbs.
36" Long	37.56"	AL1A4	19328	176w	55 lbs.

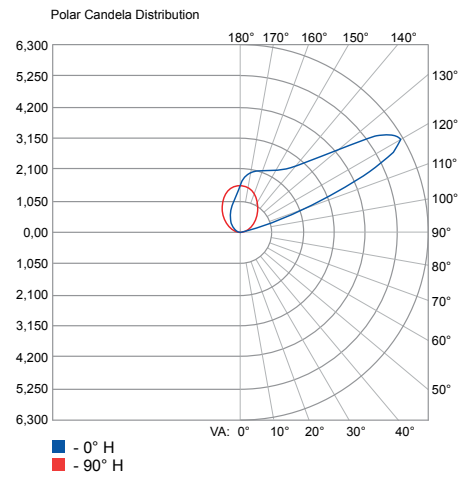
PME2 Twin Pendant Mount					
NOMINAL LENGTH	ACTUAL LENGTH	SOURCE	LUMENS	INPUT WATTS	WEIGHT
12" Long	14.75"	AL1A4	13142	122w	40 lbs.
24" Long	26.12"	AL1A4	26346	240w	70 lbs.
36" Long	37.56"	AL1A4	38656	352w	100 lbs.

Example: ANGP4 PME1 INT 12LONG AL1A4 30K MVOLT SGW

ANGP4						AL1A4	
SERIES	MOUNT ACCESSORY	ENVIRONMENT		LENGTH		SOURCE	LED CCT
ANGP4 Asymmetric LED Pendant Mount	PME1 Single Pendant Mount	INT Interior Location NT² Natatorium Construction		12LONG¹ 12" Nominal Length	AL1A4 Asymmetric LED 4	30K 3000K CCT 35K 3500K CCT 40K 4000K CCT	
	PME2 Twin Pendant Mount			24LONG 24" Nominal Length			
				36LONG¹ 36" Nominal Length			
		<small>² Top gasketed lens assembly automatically included with NT selection.</small>		<small>¹ For custom finish specify MOD</small>			

		MVOLT							
LED CRI		VOLTAGE		ELECTRICAL OPTION		LENS		FINISH	
-	80+ CRI	MVOLT Multi Volt 120V thru 277V	N100 nLight Enabled Module (blank) None	CA Clear Acrylic (blank) None	SGW Semi-Gloss White SGB Semi-Gloss Black ALP Aluminum Paint (matte) CPF² Custom Paint Finsh	MOD Modification (consult factory)			
90 CRI	90+ CRI								
				<small>For use with INT option only</small>		<small>² For custom finish specify MOD.</small>			

CLEAR LENS



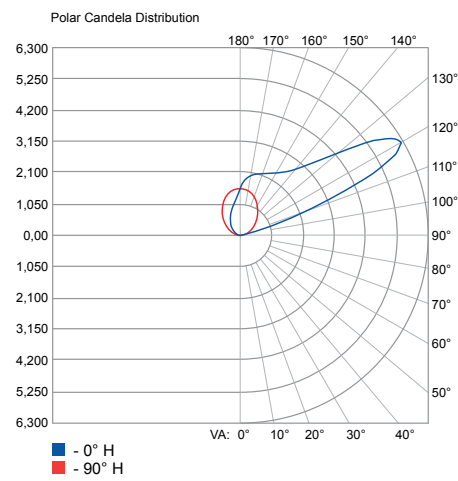
Test Report: ISF35331 (PRORATED)
 IES LM 79-08
 ANGP4 INT 36LONG 30K (clear lens)

Lumens: 19328
 Wattage: 176W
 Efficacy: 109.8
 Max. Candela: 18351
 CRI: 81.9

Zonal Lumen Summary		
Zone	Lumen	% Luminaire
70-100	120.0	0.6%
90-120	5825.8	30.1%
90-180	19240.1	99.6%
0-180	19328	100.0%

Angle	Candlepower Distribution				
	Plane				
	0	45	90	135	180
0	15	15	15	15	15
30	3	26	44	21	3
60	0	26	47	26	9
80	3	32	47	29	9
90	21	41	38	15	0
100	168	844	203	47	0
105	1259	3483	447	165	29
110	6736	8015	732	365	179
115	14122	10686	1053	568	374
120	18351	9407	1356	803	609
125	16587	7395	1668	1062	809
130	12998	6200	1994	1291	1062
135	10130	5783	2303	1497	1271
140	8592	5718	2627	1706	1500
145	7639	5765	2977	1921	1688
150	7033	5809	3336	2185	1883
160	6495	5862	4006	2812	2524
170	5992	5606	4456	3550	3294
180	4594	4594	4594	4594	4594

WET LOCATION

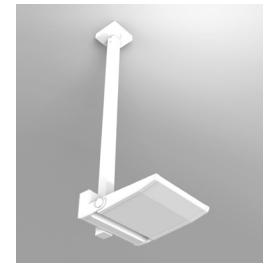


Test Report: ISF35330 (PRORATED)
 IES LM 79-08
 ANGP4 WL 36LONG 30K (wet location)

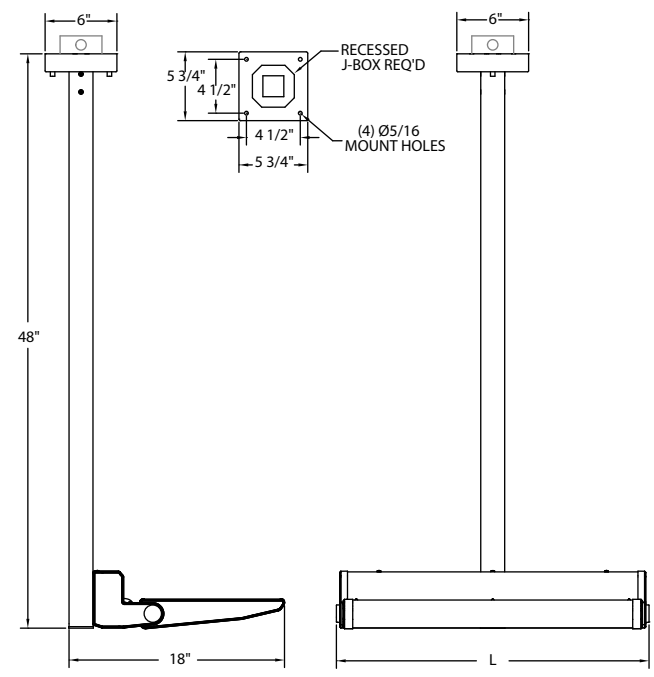
Lumens: 19240
 Wattage: 176W
 Efficacy: 109.3
 Max. Candela: 18501
 CRI: 81.9

Zonal Lumen Summary		
Zone	Lumen	% Luminaire
70-100	109.1	0.6%
90-120	5760.8	29.9%
90-180	19154.0	99.6%
0-180	19240	100.0%

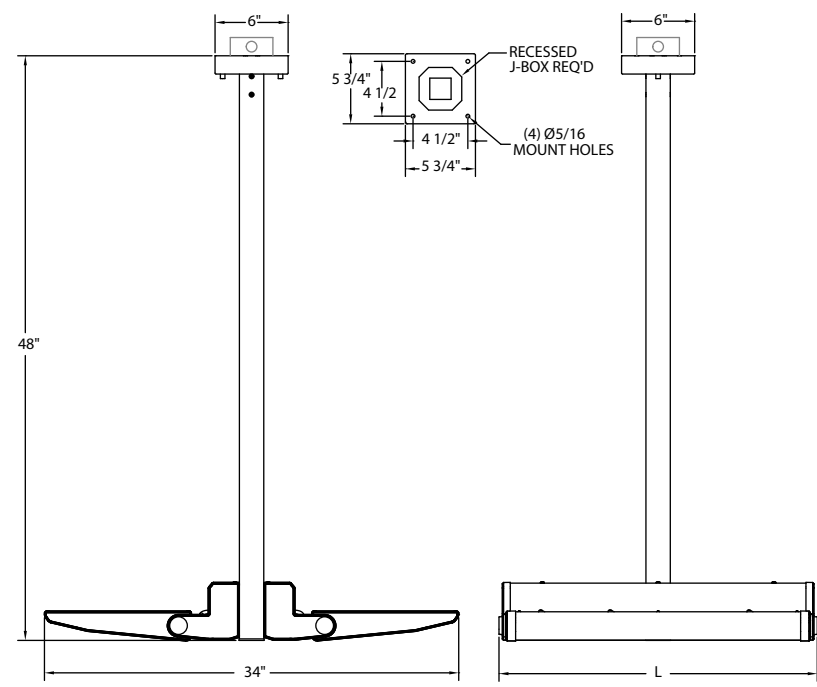
Angle	Candlepower Distribution				
	Plane				
	0	45	90	135	180
0	12	12	12	12	12
30	0	27	44	18	0
60	0	27	47	27	12
80	0	30	47	30	9
90	15	35	35	15	0
100	154	621	195	53	0
105	1023	3282	435	180	47
110	7095	7994	715	375	201
115	14572	10569	1020	571	405
120	18501	9342	1339	825	639
125	16476	7282	1659	1067	828
130	12854	6191	1981	1298	1094
135	10143	5806	2306	1517	1304
140	8579	5700	2622	1712	1517
145	7639	5765	2962	1925	1718
150	7078	5857	3332	2208	1913
160	6516	5913	4015	2826	2545
170	6016	5635	4488	3565	3296
180	4618	4618	4618	4618	4618



PME1 Single Pendant Mount	
NOMINAL LENGTH	L
12" Long	14.8125"
24" Long	26.25"
36" Long	37.625"



PME2 Twin Pendant Mount	
NOMINAL LENGTH	L
12" Long	14.8125"
24" Long	26.25"
36" Long	37.625"



IES data is available at www.alights.com. Always refer to our website for the latest IES files updates.

CONSTRUCTION

Extruded aluminum housing, optional clear acrylic lens, die-cast end caps with stainless steel hardware.

SOURCE

LED lumen packages provide high performance asymmetric distribution in 3000K, 3500K or 4000K color temperature options. Components are designed to be serviceable and replaceable.

L80 >60,000 hours at 25°C ambient temperature.

OPTICS

Advanced asymmetric optical system optimized for LED source and arrayed for specific lumen output and distribution.

FINISH

6 stage pre-treated polyester powder coat painted finish. All hardware is stainless steel.

ELECTRICAL

LED light engine consists of modular LED boards and 0-10V dimming driver rated for 50,000 hours at 25°C ambient temperature, wattage is dependent on luminaire output. eldoLED solodrive power supply integrally mounted. Boards and drivers are modular for replacement or service. Compatible with the following Acuity Controls: nLight nPS 80 EZ and LC&D MicroPanel.

CONTROLS

Optional intelligence allows for constant lumen management and facilitates simple networking and control via CAT-5e cable. nLight components are provided as accessories for remote field installation.

ENVIRONMENT

UL and cUL listed for interior dry location use or optional natatorium construction (NT). Ambient operating temperature -20°C to 35°C.

A+ CAPABLE LUMINAIRE

This item is an A+ capable luminaire, which has been designed and tested to provide consistent color appearance and out-of-the-box control compatibility with simple commissioning.

- All configurations of this luminaire meet the Acuity Brands' specification for chromatic consistency
- This luminaire is part of an A+ Certified solution for nLight® control networks when ordered with drivers marked by a shaded background*
- This luminaire is part of an A+ Certified solution for nLight control networks, providing advanced control functionality at the luminaire level, when selection includes driver and control options marked by a shaded background*

To learn more about A+, visit www.acuitybrands.com/aplus.

*See ordering tree for details

WARRANTY

Limited defect-free manufactured equipment warranty provided under normal use and proper storage for a period of one (1) year. LED products (LED boards and drivers) will be covered for a period of five (5) years. Wet location fixtures are not recommended for extreme wet weather conditions and must be installed according to factory drawings; there is a modified warranty for LED components installed in applications not in accordance with factory recommendations/drawings. Please refer to full terms and conditions on our website.