

Date: \_\_\_\_\_ Quantity: \_\_\_\_\_

Company: \_\_\_\_\_

Project: \_\_\_\_\_



## ProPoint™ Pixel Static White + Color Diffused Dome

The ProPoint Pixel Static White + Color Diffused Dome is an AC Line powered, high brightness, exterior luminaire. The luminaire is controllable via DMX512, and is connected using a daisy chain topology, allowing easy installation to form long run lengths. Remote Device Management (RDM) circuits are built into each luminaire which enables extensive control and monitoring of the entire installation. The ProPoint Pixel Static White + Color Diffused Dome has a low-profile and is ideal for many types of exterior architectural, retail, and hospitality façade accents or to provide powerful punch in media applications.

### Product Specifications

<b>Model</b>	ProPoint Pixel Static White + Color Diffused Dome
<b>Light Source</b>	12 LEDs
<b>Color Range</b>	3000K / 4000K Standard 2700K, 3500K, 5000K, 6500K, Red, Green, Blue, Amber available <sup>1</sup>
<b>Viewing Angle</b>	140°
<b>Luminous Flux</b>	757 lm / 800 lm
<b>Efficacy</b>	38 lm/W / 42 lm/W
<b>Lumen Maintenance</b>	L <sub>70</sub> @ 25° 81,000 hours
<b>Cover Lens</b>	2.0mm UV stable polycarbonate
<b>Housing</b>	Die Cast Aluminum
<b>Size</b>	144.8 x 81.3 x 119.4mm (5.7" x 3.2" x 4.7")
<b>Weight</b>	1.35 kgs (2.98 lbs.)
<b>Regulatory/Product Certifications</b>	cETLus, CE, FCC, RoHS, REACH, ASTM B117-16, ANSI 3G, IK10
<b>Operating Temperature</b>	-30°C to +55°C (-22°F to +131°F)
<b>Minimum Starting Temperature</b>	-20°C (-4°F)
<b>Storage Temperature</b>	-40°C to +80°C (-40°F to +176°F)
<b>Environment</b>	IP66 Outdoor, suitable for coastal environments
<b>Humidity</b>	85%, non-condensing

### Electrical Specifications

<b>Input Voltage<sup>2</sup></b>	100-277V <sub>AC</sub> 50/60Hz
<b>Power Consumption</b>	20W
<b>Power Factor</b>	≥0.9

### System Specifications

<b>Power</b>	AC Line
<b>Control</b>	DMX512, RDM Enabled
<b>Power Supply</b>	Integrated

1. No MOQ required. Please consult regional sales office for pricing and lead time.
2. Auto-switching. Single phase (line, neutral and ground).

**LED CHARACTERISTICS:** Because LEDs are semiconductor devices, their performances are subject to inherent variability commonly found in semiconductor industry. To improve consistency in performance across the same product, LED manufacturers "sort" LEDs into bins according to different preset parameters, such as forward driving voltage, illumination, etc. Whereas binning is a sorting function, it is not a correction process. Inherent variability in the manufacturing process always results in different binning distributions according to different production lots. Traxon uses automatically binned LEDs on its products, thereby minimizing output variations within the model range.

As with all electronic devices, LED output degrades over time – a term called lumen depreciation. This also explains why it is nearly impossible to expect photometric performances of two LED products with different service life spans to be the same. The rate of LED degrade is a complicated function involving many factors, such as operating efficiency, duration of continuous operation and, more significantly, environmental conditions (ambient temperature for example). If allowed, working under optimal operating temperature range and with good ventilation, LED devices enjoy long service lives over conventional light sources. When using/installing LED devices, care should be taken to ensure that the devices will operate within the operating conditions specified in respective product literature.

Lumen measurement complies with LM-79-08 standard.  
Lumen maintenance is calculated based on LM-80 compliant measurement.

[www.traxontechnologies.com](http://www.traxontechnologies.com)  
[www.osram.us/traxon](http://www.osram.us/traxon)

©2020 TRAXON TECHNOLOGIES – AN OSRAM BUSINESS. ALL RIGHTS RESERVED. TRAXON™ AND TX CONNECT® ARE TRADEMARKS OF TRAXON TECHNOLOGIES. U.S. PATENTS, E.U. PATENTS, JAPAN PATENTS, OTHER PATENTS PENDING. SPECIFICATIONS ARE SUBJECT TO CHANGE WITHOUT NOTICE.

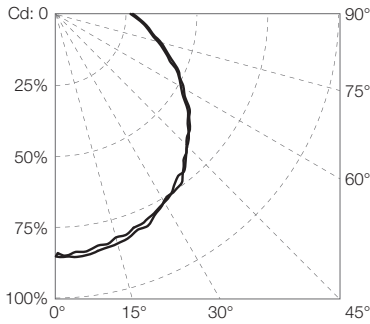
# ProPoint™ Pixel Static White + Color Diffused Dome Photometrics

## Source Specifications

LED Source	12 LEDs
Viewing Angle	140°
Cover Lens	Diffused Dome UV stable polycarbonate

## Candela Distribution

## Light Output



Color Temperature	Luminous Flux (lm)	Candela Distribution @100%	Efficacy (lm/W)
3000K	757.51	172.9	38.45
4000K	800.72	177.6	41.92

Diagram based on Diffused Dome 3000K

## Illuminance at a Distance

	Center Beam LUX	
	3000K	4000K
1m	172.4	177.6
2m	43.09	44.41
3m	19.15	19.74
4m	10.77	11.10
5m	6.895	7.105

Diagram based on Diffused Dome 3000K measurement  
For feet multiply by 3.28

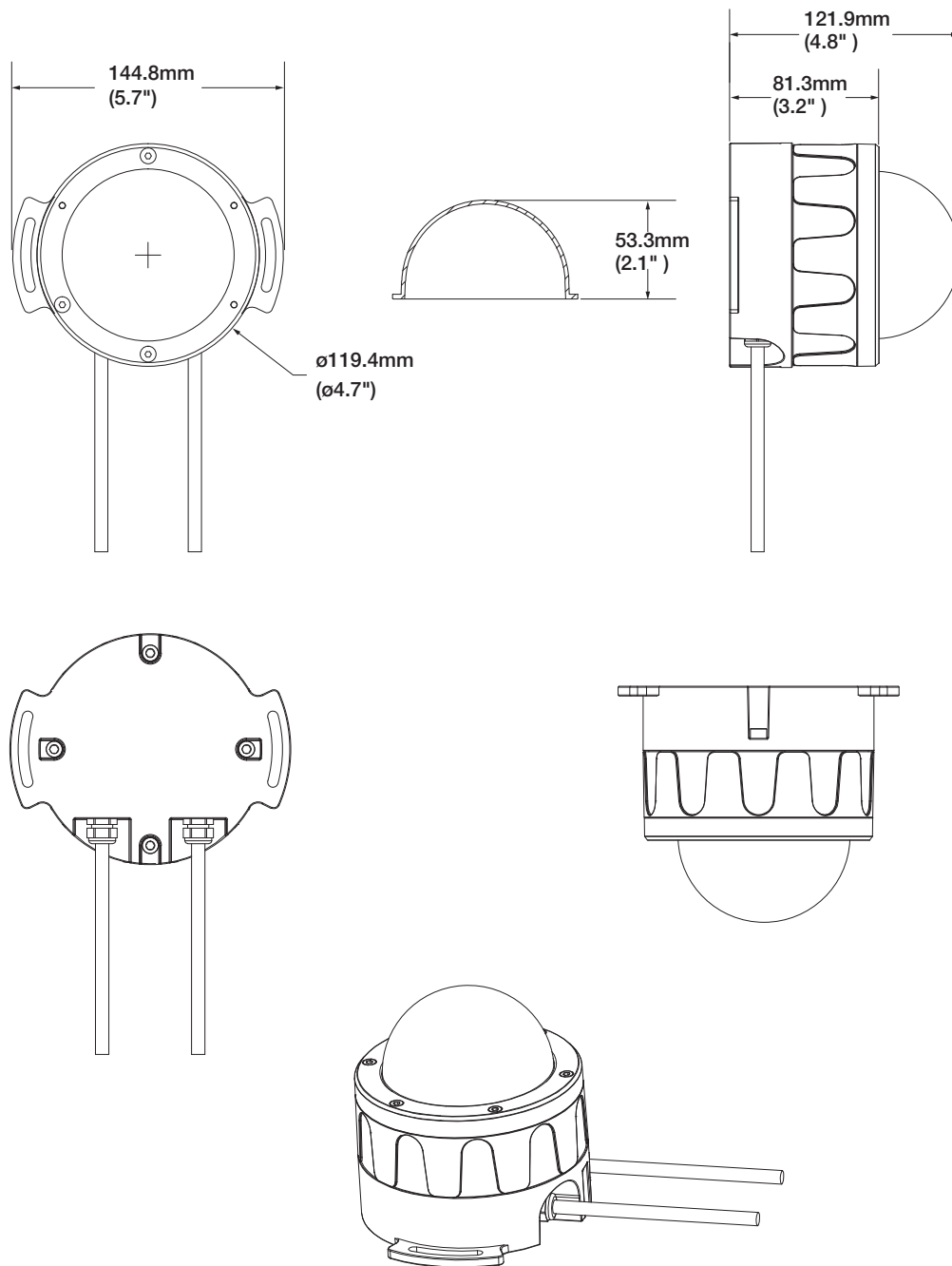
■ Vert Spread: 136.1°  
■ Horiz Spread: 136.1°  
 For fc divide by 10.7

[www.traxontechnologies.com](http://www.traxontechnologies.com)  
[www.osram.us/traxon](http://www.osram.us/traxon)

©2020 TRAXON TECHNOLOGIES - AN OSRAM BUSINESS. ALL RIGHTS RESERVED. TRAXON™ AND TX CONNECT® ARE TRADEMARKS OF TRAXON TECHNOLOGIES. U.S. PATENTS, E.U. PATENTS, JAPAN PATENTS, OTHER PATENTS PENDING. SPECIFICATIONS ARE SUBJECT TO CHANGE WITHOUT NOTICE.

# ProPoint™ Pixel Static White + Color Diffused Dome

## Dimensions

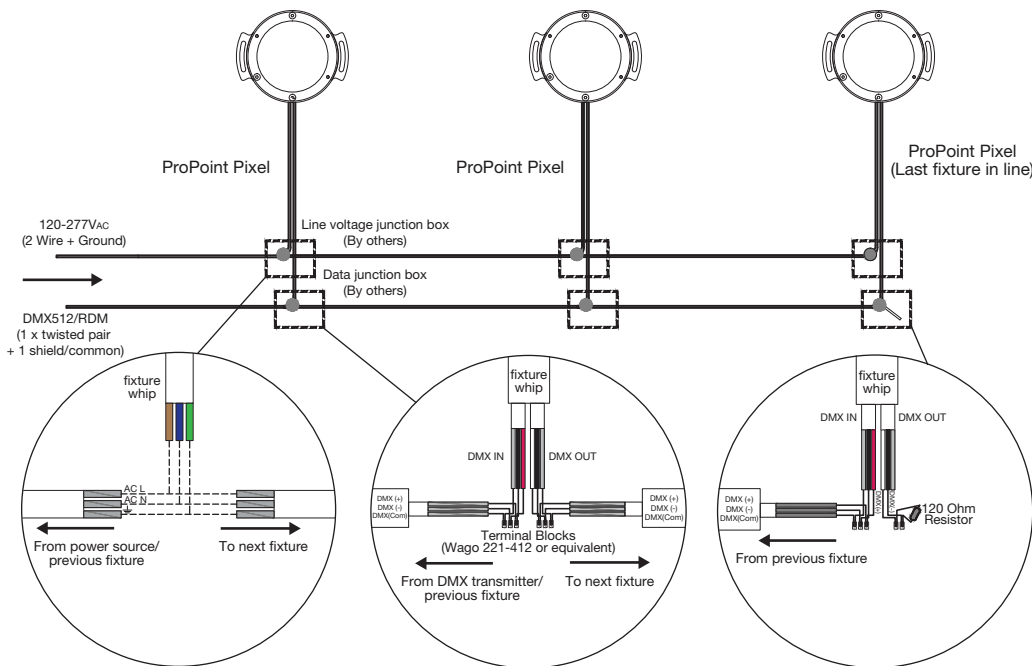


[www.traxontechnologies.com](http://www.traxontechnologies.com)  
[www.osram.us/traxon](http://www.osram.us/traxon)

©2020 TRAXON TECHNOLOGIES - AN OSRAM BUSINESS. ALL RIGHTS RESERVED. TRAXON™ AND TX CONNECT® ARE TRADEMARKS OF TRAXON TECHNOLOGIES. U.S. PATENTS, E.U. PATENTS, JAPAN PATENTS, OTHER PATENTS PENDING. SPECIFICATIONS ARE SUBJECT TO CHANGE WITHOUT NOTICE.

## ProPoint™ Pixel Static White +Color Diffused Dome System Diagram

- ProPoint Pixel fixtures ship with two cable whips: One cable whip for power input, consisting of two wires plus a ground, and one cable whip for DMX512 RDM input/output.
- No more than (32) fixtures on a single DMX512 link, max 300m total (source to last fixture).
- Data cabling from DMX source to first fixture and between subsequent ProPoint Pixel fixtures shall be Cat5e UTP or higher (stranded type only) or other cable type suitable for DMX communication. Consult DMX standard for additional guidance.



- Each DMX512 link must be properly terminated to prevent signal reflections.

### General Notes

- All data cabling must adhere to ANSI E1.11-2008 (R2013) – Entertainment Technology – USITT DMX512-A, Asynchronous Serial Digital Data Transmission Standard for Controlling Lighting Equipment and Accessories.
- Fixture is RDM compatible.
- Fixtures allow a universal input of 100V<sub>AC</sub> to 277V<sub>AC</sub>.
- Data termination shall utilize cage clamp terminal blocks, or equivalent. Wire nuts are not permissible and will void warranty.
- The method of line voltage termination, both for data and power, is at the discretion of the installing contractor, and/or engineer. Splicing and/or joining of cables must adhere to all applicable electrical codes.
- Cables must be spliced/joined in a weatherproof enclosure/junction box, which is to be properly rated and provided by others.

www.traxontechnologies.com  
www.osram.us/traxon

©2020 TRAXON TECHNOLOGIES - AN OSRAM BUSINESS. ALL RIGHTS RESERVED. TRAXON™ AND TX CONNECT® ARE TRADEMARKS OF TRAXON TECHNOLOGIES. U.S. PATENTS, E.U. PATENTS, JAPAN PATENTS, OTHER PATENTS PENDING. SPECIFICATIONS ARE SUBJECT TO CHANGE WITHOUT NOTICE.

# ProPoint™ Pixel Static White + Color Diffused Dome

Ordering

## Model Number

PP	X1	9	X	X	X	0	X
ProPoint	Pixel	Control	Color	CCT	Lens		Finish
		9: DMX	1: Static White	3: 3000K	1: Clear Lens		1: Gray
			2: DW	4: 4000K	2: Diffused Dome		2: Black
			4: RGBW	7: 2200K-6500K (DW)	3: Diffused Prism		3: White
			A: RGB		4: Diffused Drum		
					5: Diffused Lens		

## Fixtures

Model Number	Description	Item Code
PP.X1.913201	ProPoint Pixel 3000K Diffused Dome Gray	AM369190055
PP.X1.913202	ProPoint Pixel 3000K Diffused Dome Black	AM369240055
PP.X1.913203	ProPoint Pixel 3000K Diffused Dome White	AM369290055
PP.X1.914201	ProPoint Pixel 4000K Diffused Dome Gray	AM369430055
PP.X1.914202	ProPoint Pixel 4000K Diffused Dome Black	AM369480055
PP.X1.914203	ProPoint Pixel 4000K Diffused Dome White	AM369530055

## Accessories

Model Number	Description	Item Code
AM243520054	ProPoint Termination Kit	AM243520054

## Our Brands


  
[www.traxontechnologies.com](http://www.traxontechnologies.com)
  
[www.osram.us/traxon](http://www.osram.us/traxon)

**OSRAM**

©2020 TRAXON TECHNOLOGIES - AN OSRAM BUSINESS. ALL RIGHTS RESERVED. TRAXON™ AND TX CONNECT® ARE TRADEMARKS OF TRAXON TECHNOLOGIES. U.S. PATENTS, E.U. PATENTS, JAPAN PATENTS, OTHER PATENTS PENDING. SPECIFICATIONS ARE SUBJECT TO CHANGE WITHOUT NOTICE.