



VERSA COMMERCIAL

4" LED COMMERCIAL DOWNLIGHT RETROFIT

JOB INFORMATION	TYPE:
	CATALOG NO.
	PROJECT NAME:
	COMMENTS:
PREPARED BY:	

USE OF PRODUCT

The 4" Versa Commercial LED Downlight is the ideal product for energy efficient lighting in Non-IC Retrofit commercial applications. Available with interchangeable reflectors and trims, with an assortment of color temperatures, lenses, filters and dimmable driver options.

VERSA COMMERCIAL FEATURES

Wattage	Lumens	Voltage	CRI
11W	1,045 lm	120-277V	93+
16W	1,350 lm	120-277V	93+
20W	1,635 lm	120-277V	93+
21W	1,895 lm	120-277V	93+
30W	2,130 lm	120-277V	93+
31W	2,475 lm	120-277V	93+
38W	2,930 lm	120-277V	93+
45W	3,255 lm	120-277V	93+
58W	4,000 lm	120-277V	93+

*Performance based on 3000K
 Color Temperature: 2700K, 3000K, 3500K, or 4000K
 SDCM: 2 step binning
 Color Rendering Index: 93+ CRI
 R9: 60+
 Optical Lens: 18°, 30°, 50°, 80°
 Filter Accessories: Frosted, Honeycomb & Solitr filter
 LED Life: 50,000 Hours
 LED Type: Cree LED
 Driver Info: 120-277V, 50/60 Hz, PF>0.9, THD<0.20
 Versatility: Interchangeable reflector and trim ring
 Warranty: 5 year limited warranty

LED ENGINE

LED engine available with CREE LEDs in 2700K, 3000K, 3500K, or 4000K in standard 93+ CRI. 2 Step MacAdam ellipse allows for color consistency between fixtures. LED mounted to aluminum heat sink for maximum life output and thermal management.

OPTICAL LENS (Field Replaceable)

Field replaceable optical lens available in 18°, 30°, 50° and 80°. Easily achieve narrow spot to wide flood beam pattern.

FILTER ACCESSORIES

A multitude of filter accessories are available to achieve a particular light effect. Available in frosted, honeycomb or solite filter options.

DIMMING

Available in 8 driver selections. (ID) Standard all-inclusive ELV, Triac, and 0-10V dimming driver called Intelligent Drive, 120-277V. (PEQO) Lutron Hi-Lume Premier Ecosystem 0.1% w/soft on, fade to black dimming, 120-277V. (LDE1) Lutron Hi-Lume 1% Ecosystem with soft on, fade to black dimming, 120-277V. (LTE) Hi-Lume 1% 2-wire, 120V (L3DA) Hi-lume 1% EcoSystem/3-Wire L3D Driver (EEI) eldoLED Eco 1% Dim (0-10V), 120-277V. (EDIO) eldoLED Solo 0.1% Dim(0-10V), 120-277V. (EDID) eldoLED Solo 0.1% Dim(DALI), 120-277V.

VERSATILITY

The Versa Commercial LED Downlight series provides for interchangeable reflectors and trims in round shape with an assortment of finishes to achieve a particular look. The ability to field install and/or replace various reflectors, trims, and optical lens makes the Versa Commercial Downlight Series the most flexible commercial downlight in the industry.

INSTALLATION

Non-IC housing. Insulation must be kept at least 3" away from fixture.

LABELS/COMPLIANCE/WARRANTY

-CSA Listed for US and Canada
 -5 year limited warranty.



ORDERING INFORMATION

Series	Lumens	Color Temp	Voltage	Dimming	Optical Lens
RVC4	10L - 1045 lm	27 - 2700K	UNV - 120-277V	ID ² - Standard all-inclusive ELV, Triac, and 0-10V dimming driver (Intelligent Drive)	18 - 18° Beam
	13L - 1350 lm	30 - 3000K	1 - 120V	PEQO ³ - Lutron Hi-Lume Premier Ecosystem 0.1% w/soft on, fade to black dimming	30 - 30° Beam
	16L - 1635 lm	35 - 3500K	3 ¹ - 347V	LDE1 ⁵ - Lutron Hi-Lume 1% Ecosystem with soft on, fade to black dimming	50 - 50° Beam
	18L - 1895 lm	40 - 4000K		LTE ^{4,5} - Hi-Lume 1% 2-wire	80 - 80° Beam
	21L - 2130 lm			L3DA - Hi-lume 1% EcoSystem/3-Wire L3D Driver	
	24L - 2475 lm			EEI ^{5,6} - eldoLED Eco 1% Dim (0-10V)	
	29L - 2930 lm			EDIO ^{5,6} - eldoLED Solo 0.1% Dim (0-10V)	
	32L - 3255 lm			EDID ^{5,6} - eldoLED Solo 0.1% Dim (DALI)	
	40L - 4000 lm				

Reflector	Trim	Frame	Options
4RW - White	4TW - White	AC - Retrofit	EI8 - Emergency Battery with Integral Switch (800 Lumens)
4RS - Specular Clear	4TS - Specular Clear		ER8 - Emergency Battery with Remote Switch (800 Lumens)
4RH - Haze	4TH - Haze		EI17 - Emergency Battery with Integral Switch (1700 Lumens)
4RB - Black	4TB - Black		ER17 - Emergency Battery with Remote Switch (1700 Lumens)
MTO - Made to order	MTO - Made to order		WL - Wet Location
			F - Frosted filter
			H - Honeycomb
			S - Solite filter

1. Step down transformer required.
2. Intelligent Drive is the standard driver for the Versa Commercial.
3. Driver must not exceed 1635 lm
4. 120V only.
5. Inapplicable to 4000 Lumen offering.
6. Must specify logarithmic or linear eldoLED driver.

VERSA COMMERCIAL
4" LED COMMERCIAL DOWNLIGHT
RETROFIT

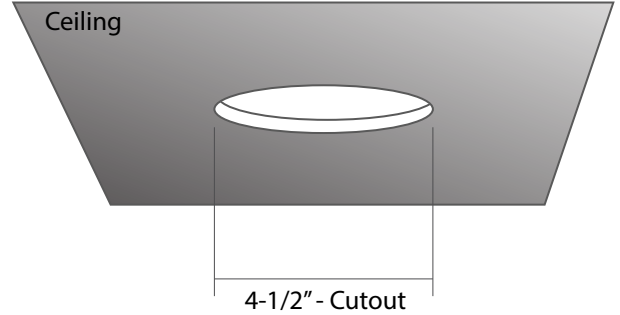
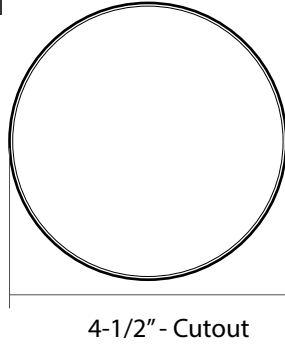
PROJECT:

MODEL #:

LOCATION:

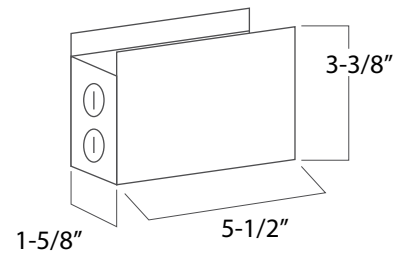
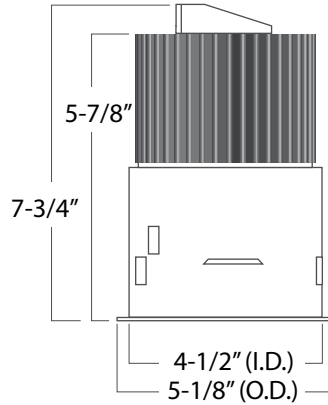
CONTACT:

CUT-OUT CEILING DIMENSIONS



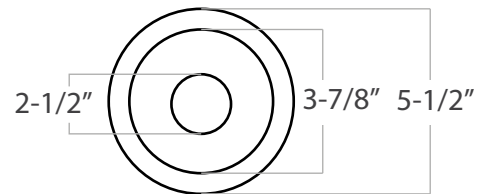
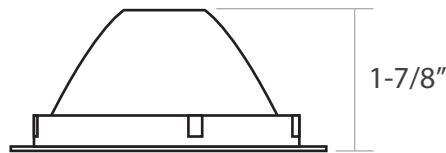
DIMENSIONS

Profile View



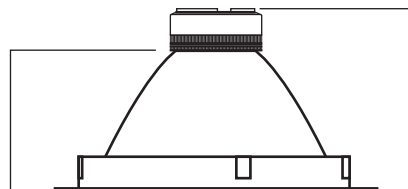
REFLECTOR/TRIM DIMENSIONS

REFLECTOR/TRIM



LED HEIGHT INSIDE DOWNLIGHT

1-7/8"
Reflector and trim height



3-1/4"
LED height

4" LED COMMERCIAL DOWNLIGHT

VERSA COMMERCIAL
4" LED COMMERCIAL DOWNLIGHT
RETROFIT

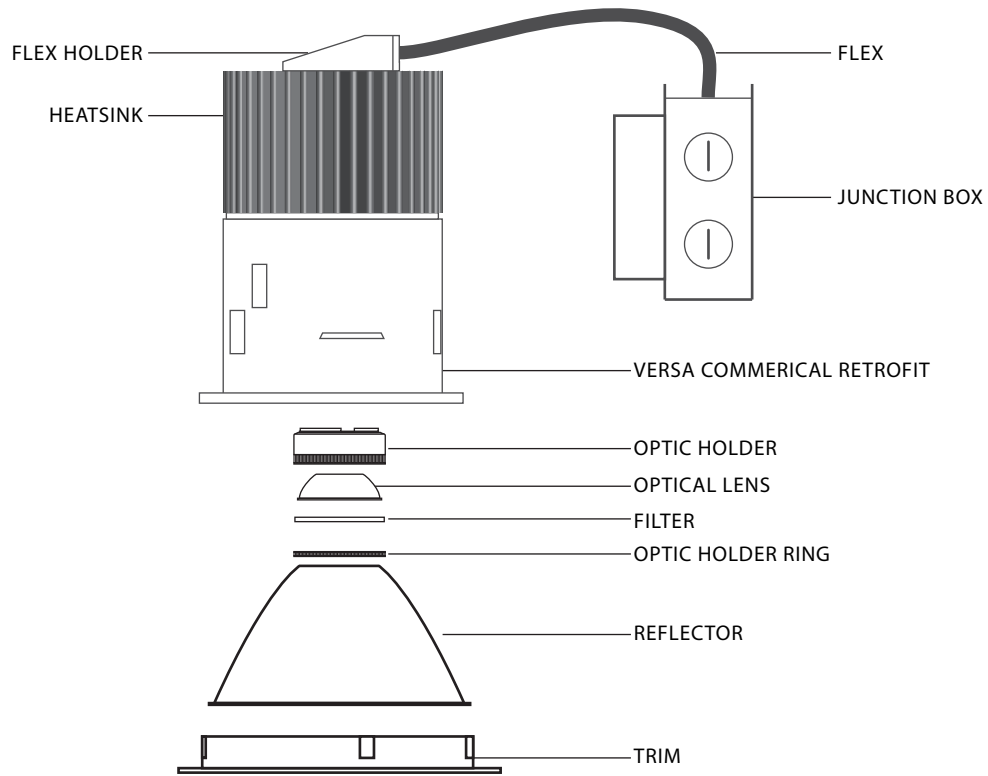
PROJECT:

MODEL #:

LOCATION:

CONTACT:

ANATOMY



4" LED COMMERCIAL DOWNLIGHT

VERSA COMMERCIAL

4" LED COMMERCIAL DOWNLIGHT RETROFIT

PROJECT:

MODEL #:

LOCATION:

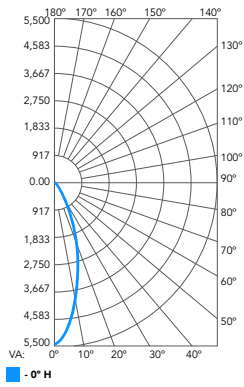
CONTACT:

PHOTOMETRICS

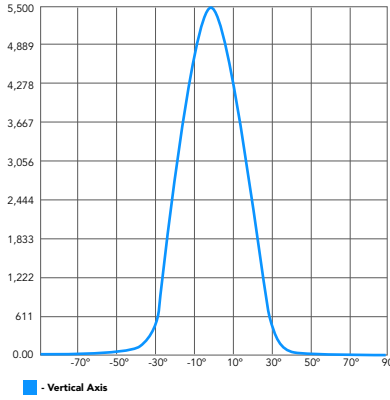
30° BEAM

TEST DATE 18Sep16
 SERIES RVC4
 FRAME
 LUMENS 2145.2
 WATTS 38.471

POLAR CANDELA DISTRIBUTION



CANDELA DISTRIBUTION



LUMENS PER ZONE

ZONE	LUMENS	% TOTAL
0-10	457.1	21.3%
10-20	875.2	40.8%
20-30	547.0	25.5%
30-40	159.2	7.4%
40-50	42.1	2.0%
50-60	28.9	1.3%
60-70	20.3	0.9%
70-80	12.3	0.6%
80-90	4.2	0.2%

LCS TABLE

BUG RATING	B2 - UX - GO	
	LUMENS	LUMENS%
FORWARD LIGHT		
LOW(0-30):	890.5	41.5%
MEDIUM(30-60):	109.6	5.1%
HIGH(60-80):	14.4	0.7%
VERY HIGH(80-90):	1.2	0.1%
BACK LIGHT		
LOW(0-30):	991.6	46.2%
MEDIUM(30-60):	120.6	5.6%
HIGH(60-80):	18.3	0.9%
VERY HIGH(80-90):	2.9	0.1%
TRAPPED LIGHT:	0.000	0%

ILLUMINANCE AT A DISTANCE

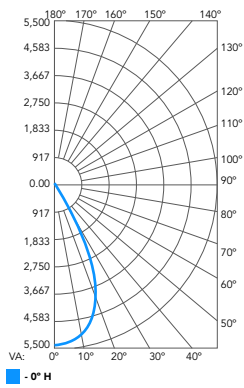
H HEIGHT(FT)	CENTER BEAM FOOTCANDLE	BEAM SPREAD(FT)		FIELD SPREAD(FT)	
		HORIZONTAL	VERTICAL	HORIZONTAL	VERTICAL
4.00	339.88 FC	2.5	2.5	4.6	4.6
8.00	84.97 FC	5.0	5.0	9.2	9.2
12.00	37.76 FC	7.5	7.4	13.8	13.8
16.00	21.24 FC	10.0	9.9	18.4	18.4
4.00	13.60 FC	12.4	12.4	23.0	23.0

BEAM ANGLE		FIELD ANGLE	
34.6°	34.5°	59.9°	59.7°

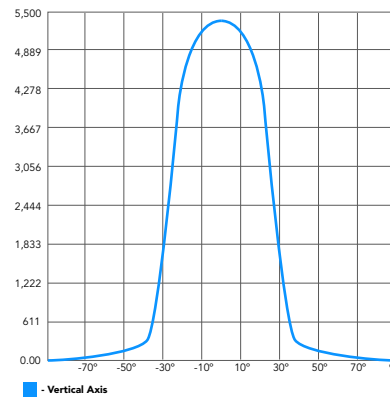
50° BEAM

TEST DATE 18Sep16
 SERIES RVC4
 FRAME
 LUMENS 2019.5
 WATTS 38.3869

POLAR CANDELA DISTRIBUTION



CANDELA DISTRIBUTION



LUMENS PER ZONE

ZONE	LUMENS	% TOTAL
0-10	255.1	12.6%
10-20	679.0	33.6%
20-30	686.5	34.0%
30-40	223.1	11.0%
40-50	68.1	3.4%
50-60	50.1	2.5%
60-70	33.3	1.7%
70-80	18.8	0.9%
80-90	5.6	0.3%

LCS TABLE

BUG RATING	B2 - UX - GO	
	LUMENS	LUMENS%
FORWARD LIGHT		
LOW(0-30):	787.3	39%
MEDIUM(30-60):	159.1	7.9%
HIGH(60-80):	24.2	1.2%
VERY HIGH(80-90):	2.0	0.1%
BACK LIGHT		
LOW(0-30):	834.7	41.3%
MEDIUM(30-60):	182.1	9%
HIGH(60-80):	28.0	1.4%
VERY HIGH(80-90):	3.6	0.2%
TRAPPED LIGHT:	0.000	0%

ILLUMINANCE AT A DISTANCE

H HEIGHT(FT)	CENTER BEAM FOOTCANDLE	BEAM SPREAD(FT)		FIELD SPREAD(FT)	
		HORIZONTAL	VERTICAL	HORIZONTAL	VERTICAL
4.00	171.64 FC	4.0	3.9	5.7	5.7
8.00	42.91 FC	8.0	7.9	11.5	11.3
12.00	19.07 FC	11.9	11.8	17.2	17.0
16.00	10.73 FC	15.9	15.7	23.0	22.7
20.00	6.87 FC	19.9	19.7	28.7	28.3

BEAM ANGLE		FIELD ANGLE	
52.9°	52.3°	71.3°	70.6°

VERSA COMMERCIAL
4" LED COMMERCIAL DOWNLIGHT
RETROFIT

PROJECT:

MODEL #:

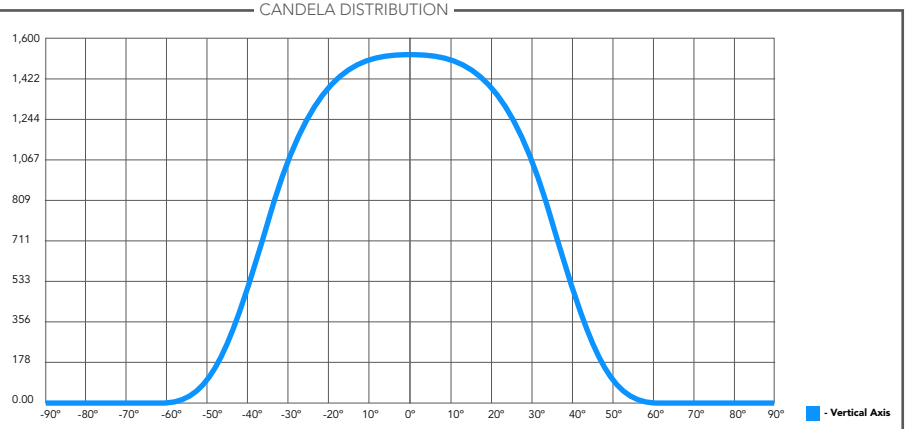
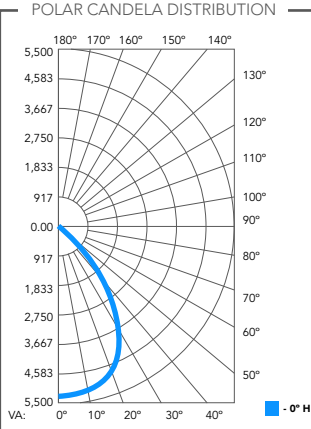
LOCATION:

CONTACT:

PHOTOMETRICS

70° BEAM

TEST DATE 18Sep16
SERIES RVC4
FRAME
LUMENS 1835
WATTS 38.3607



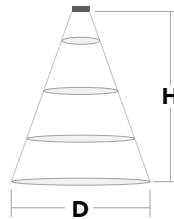
LUMENS PER ZONE

ZONE	LUMENS	% TOTAL
0-10	144.6	7.9%
10-20	409.6	22.3%
20-30	565.9	30.9%
30-40	484.3	26.4%
40-50	205.7	11.2%
50-60	23.0	1.3%
60-70	0.000	0.0%
70-80	0.000	0.0%
80-90	0.000	0.0%

LCS TABLE

BUG RATING	B2 - U0 - GO	
	LUMENS	LUMENS%
FORWARD LIGHT		
LOW(0-30):	560.3	30.6%
MEDIUM(30-60):	356.6	19.5%
HIGH(60-80):	0.000	0%
VERY HIGH(80-90):	0.000	0%
BACK LIGHT		
LOW(0-30):	560.3	30.6%
MEDIUM(30-60):	356.6	19.5%
HIGH(60-80):	0.000	0%
VERY HIGH(80-90):	0.000	0%
UP LIGHT		
LOW(90-100):	0.000	0%
HIGH(100-180):	0.000	0%
TRAPPED LIGHT:	0.000	0%

ILLUMINANCE AT A DISTANCE



H HEIGHT(FT)	CENTER BEAM FOOTCANDLE	BEAM SPREAD(FT)		FIELD SPREAD(FT)	
		HORIZONTAL	VERTICAL	HORIZONTAL	VERTICAL
4.00	95.41 FC	5.7	5.7	8.8	8.8
8.00	23.85 FC	11.4	11.3	17.6	17.6
12.00	10.60 FC	17.0	17.0	26.5	26.4
16.00	5.96 FC	22.7	22.6	35.3	35.2
20.00	3.82 FC	28.4	28.3	44.1	44.0
		BEAM ANGLE		FIELD ANGLE	
		70.7°	70.6°	95.6°	95.5°

4" LED COMMERCIAL DOWNLIGHT RETROFIT