



PRIME

PRIME 4" LED ARCHITECTURAL ROUND FLANGELESS WALL WASH

JOB INFORMATION	TYPE:
	CATALOG NO.
	PROJECT NAME:
	COMMENTS:
	PREPARED BY:

USE OF PRODUCT

The 4" Prime Wall Wash Series of downlight is the ideal product for energy efficient lighting in commercial and residential applications where wall washing is required. Available in an assortment of color temperatures, optics, lumen outputs, and dimmable driver options.

PRIME FEATURES

Color Temperature: 2700K, 3000K, 3500K, or 4000K
SDCM: 2 step binning
Color Rendering Index: 93+ CRI
Optical Lens: 18°, 30°, 50°, 80°
Trim: Die cast or anodized
LED Life: 50,000 Hours
LED Type: Cree LED
Driver Info: 120-277V, 50/60 Hz, PF>0.9, THD<0.20
Warranty: 5 year limited warranty

LED ENGINE

LED engine available with CREE LEDs in 2700K, 3000K, 3500K, or 4000K in standard 93+ CRI. 2 Step MacAdam ellipse allows for color consistency between fixtures. LED mounted to aluminum heat sink for maximum life output and thermal management. Light engine provides a quick disconnect with locking strain relief to housing.

FRAME CONSTRUCTION

Constructed from 16 gauge heavy duty powder coated cold rolled steel frame with a large access junction box.

ADJUSTMENT

- Light engine locked at 25° tilt, consult factory for other tilt setting.
- Housing provides for 360° locking rotation
- Aperture collar adjusts 15°± horizontally within frame for square ceiling alignment
- Collar notch allows for easy alignment for square applications.
- Aperture collar compatible up to 1½" ceiling thickness.
- Accommodation for 2" or 3" ceiling thickness available upon request.

OPTICS

Field replaceable optical lens available in 18°, 30°, 50°, and 80°. Easily achieve narrow spot to wide flood beam pattern. Option for frosted, honeycomb, or solite filter (2 maximum).

DIMMING

Available in 8 driver selections. **(ID)** Standard all-inclusive ELV, Triac, and 0-10V dimming driver called Intelligent Drive, 120-277V. **(PEQ0)** Lutron Hi-Lume Premier Ecosystem 0.1% w/soft on, fade to black dimming, 120-277V. **(LDE1)** Lutron Hi-Lume 1% Ecosystem with soft on, fade to black dimming, 120-277V. **(LTE)** Lutron Hi-Lume 1% 2-wire, 120V. **(L3DA)** Hi-lume 1% EcoSystem/3-Wire L3D Driver **(EEI)** eldoLED Eco 1% Dim (0-10V), 120-277V. **(EDIO)** eldoLED Solo 0.1% Dim(0-10V), 120-277V. **(EDID)** eldoLED Solo 0.1% Dim(DALI), 120-277V.

THERMAL MANAGEMENT

Ambient temperatures at fixture location should not exceed -20° to 40°C.

EMERGENCY BATTERY

Optional emergency battery available for a minimum of 90 minutes with both integral or remote test switch in 800 or 1700 delivered lumens.

TRIM OPTIONS

- All trims are self flanged die cast or anodized.
- Trim includes standard frosted acrylic diffuser.
- 12% lumens increase if remove standard frosted acrylic diffuser in field.
- Optical Enhancer reflects light evenly across the diffusion lens.
- Trims available in round or square in an assortment of standard or made to order finishes.

LABELS/COMPLIANCE/WARRANTY

- CSA Listed for US and Canada
- Energy Star
- Dry/Damp/Wet location rated.
- Title 24, JAB Compliant
- 5 Year limited warranty



HOUSING ORDERING INFORMATION

RPA4						
Series	Lumens	Color temp	Voltage	Dimming	Optical lens ⁹	Filter
PRIME	7L ¹ - 795 lm	27 - 2700K	UNV - 120-277V	ID ³ - Standard all-inclusive ELV, Triac, and 0-10V dimming driver (Intelligent Drive)	18 - 18°	None - Leave blank
SERIES	9L ¹ - 950 lm	30 - 3000K	120 - 120V	PEQ0 ⁴ - Lutron Hi-Lume Premier Ecosystem 0.1% w/soft on, fade to black dimming	30 - 30°	F - Frosted filter
	12L ¹ - 1255 lm	35 - 3500K	347 ² - 347V	LDE1 ⁵ - Lutron Hi-Lume 1% Ecosystem with soft on, fade to black dimming	50 - 50°	H - Honey comb
	16L ¹ - 1630 lm	40 - 4000K		LTE ⁶ - Lutron Hi-Lume 1% 2-wire	80 - 80°	S - Solite filter
	19L ¹ - 1960 lm			L3DA - Hi-lume 1% EcoSystem/3-Wire L3D Driver		
	24L ¹ - 2430 lm			EEI ^{7,8} - eldoLED Eco 1% Dim (0-10V)		
	26L ¹ - 2680 lm			EDIO ^{7,8} - eldoLED Solo 0.1% Dim (0-10V)		
	28L ¹ - 2840 lm			EDID ^{7,8} - eldoLED Solo 0.1% Dim (DALI)		

Housing type	Aperture	Frame Accessories	Collar	Option
NC - Non-IC New Construction IC ¹⁰ - IC New Construction	RLWP - Round Flangeless Wall Wash Plaster RLWM - Round Flangeless Wall Wash Millwork	C - C Channel bar hanger B - Flat bar hanger	Blank - 1.5" Depth 20 - 2" Depth 30 - 3" Depth MTO - Made to order	E18 - Emergency battery with integral switch(800 Lumens) ER8 - Emergency battery with remote switch (800 Lumens) E17 - Emergency battery with integral switch(1700 Lumens) ER17 - Emergency battery with remote switch (1700 Lumens) FCJS-E - VIVE wireless individual controller(Ecosystem) FCJS-0 - VIVE wireless individual controller(0-10) CP ⁹ - Chicago Plenum

TRIM ORDERING INFORMATION

4RLA		
Aperture size / Shape / Trim Type / Style	Bevel Finish	Options
4RLA - 4" Round Flangeless Accent	W - White B - Black H - Haze S - Specular Clear WE - Wheat MTO - Made to order	WL - Wet location

1. Compatible with IC new construction housing.
2. Step down transformer required.
3. Intelligent Drive is the standard driver.
4. Driver must not exceed 1255 lm
5. 120V only.
6. Inapplicable to 2840 Lumen offering.
7. Must specify logarithmic or linear eldoLED diver.
8. Confirm dimming curve: linear or logarithmic.
9. Without standard frosted acrylic diffuser.
10. Compatible up to 1630 lumens.

PRIME

PRIME 4" LED ARCHITECTURAL
ROUND FLANGELESS WALL WASH

JOB INFORMATION	TYPE:
	CATALOG NO.
	PROJECT NAME:
	COMMENTS:
	PREPARED BY:

4" PRIME WALL WASH

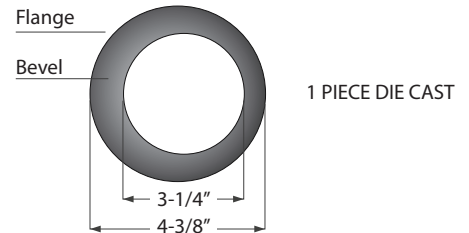
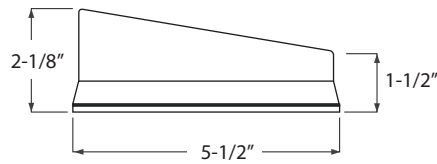
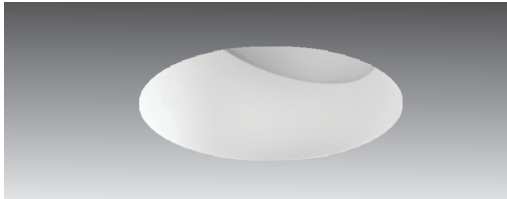
LUMEN CHART

Wattage	Delivered Lumens	Voltage	CRI
11W	795 Lm	120-277V	93+
16W	950 Lm	120-277V	93+
20W	1255 Lm	120-277V	93+
30W	1630 Lm	120-277V	93+
31W	1960 Lm	120-277V	93+
38W	2430 Lm	120-277V	93+
45W	2680 Lm	120-277V	93+
58W	2840 Lm	120-277V	93+

*Above chart, ordering information, and IES File name reflect delivered lumens based 3000K and 30° optical lens.
**Lumens will vary based on CCT, optical lens, and bevel finish.

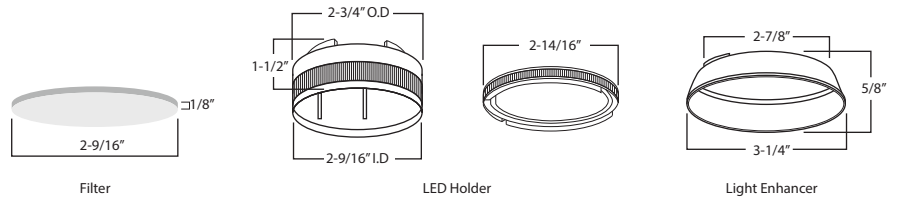
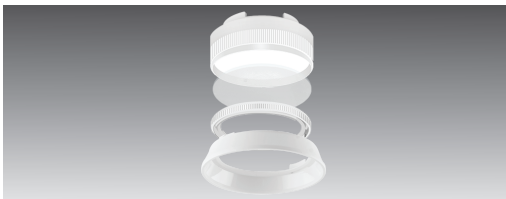
DIMENSION

Trim Details



LED HOLDER & FILTER DIMENSION

LED Holder and Filter



PRIME

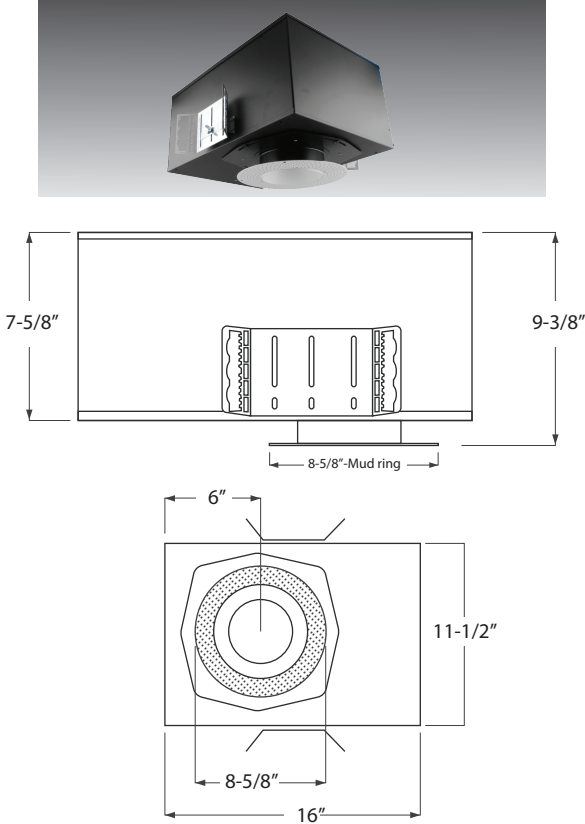
PRIME 4" LED ARCHITECTURAL
ROUND FLANGELESS WALL WASH

JOB INFORMATION	TYPE:
	CATALOG NO.:
	PROJECT NAME:
	COMMENTS:
	PREPARED BY:

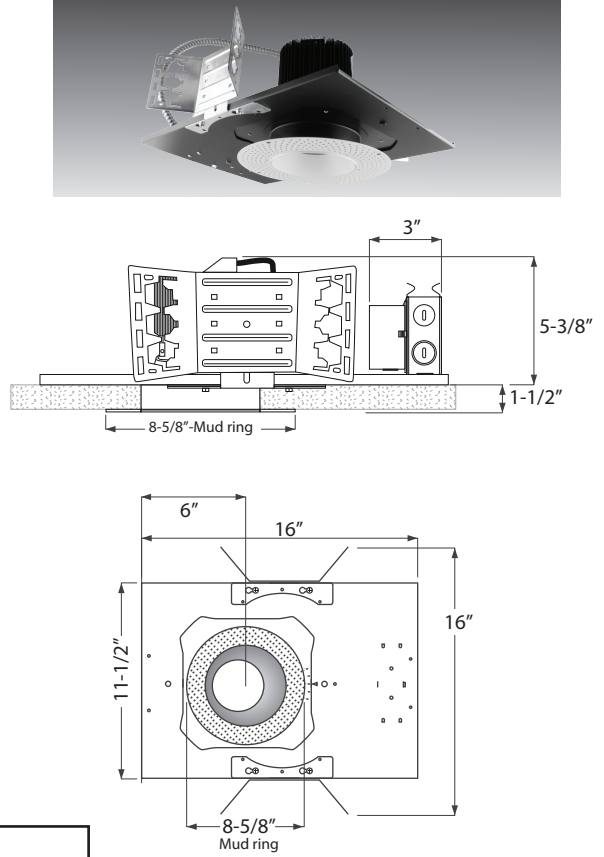
4" PRIME WALL WASH

HOUSING DIMENSION

IC Housing Details

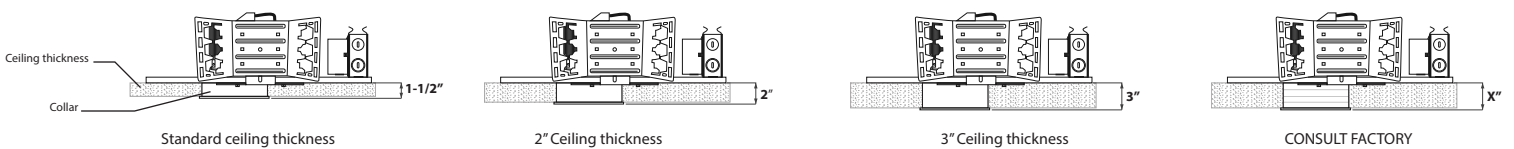


Non-IC Housing Details



Ceiling Cut-out: $5\text{-}3/16"$
 Maximum Ceiling Thickness: $1\text{-}1/2"$
 Minimum Ceiling Thickness: $1/2"$
 Consult factory for custom ceiling thickness

COLLAR DEPTH PER CEILING THICKNESS



PRIME

PRIME 4" LED ARCHITECTURAL
ROUND FLANGELESS WALL WASH

FRAME ACCESSORIES

WJ

Slotted Holes allow for an easier installation

4" up to 8" CKOs

Wood Joist

Fits up to 26" stud spacings

Plate is offset, allowing for adjustability with irregular stud spacing

B

Flat Bar Hanger

27"

1/2"

C

C Channel Bar Hanger

25-3/16"

1-6/16"

PRIME

PRIME 4" LED ARCHITECTURAL
ROUND FLANGELESS WALL WASH

4" PRIME WALL WASH

IES TECH INFO AT A GLANCE

Beam Angle	Beam Diameter (m)	Throw Distance (m)	Lumens	Watts	CCT
18°	5.5m	20.5m	644.5	11.7	3000K
30°	5.6m	20.4m	700.8	11.7	3000K
50°	6.2m	20.9m	641	11.7	3000K
80°	7.2m	21.6m	530.9	11.7	3000K
18°	5.9m	21.4m	825	16.01	3000K
30°	6.8m	16.1m	952	16.01	3000K
50°	7.2m	17.1m	736.4	16.0	3000K
80°	7.4m	18.1m	572.1	16.0	3000K

Beam Angle	Beam Diameter (m)	Throw Distance (m)	Lumens	Watts	CCT
18°	5.5m	20.5m	644.5	11.7	3000K
30°	5.6m	20.4m	700.8	11.7	3000K
50°	6.2m	20.9m	641	11.7	3000K
80°	7.2m	21.6m	530.9	11.7	3000K
18°	5.9m	21.4m	825	16.01	3000K
30°	6.8m	16.1m	952	16.01	3000K
50°	7.2m	17.1m	736.4	16.0	3000K
80°	7.4m	18.1m	572.1	16.0	3000K

[CLICK HERE OR VISIT PRODUCT PAGE FOR COMPREHENSIVE TECHNICAL INFORMATION](#) 5 of 8

PRIME

PRIME 4" LED ARCHITECTURAL
ROUND FLANGELESS WALL WASH

4" PRIME WALL WASH

IES TECH INFO AT A GLANCE

<h3>RPA - 10L - RLW 18° BEAM</h3> <p>TEST DATE 2017-10-11 SERIES RPA4-10L-30K-18°-RLW LUMENS 1003.3 LM WATTS 20.4 W CCT 3000K</p> <p>Zone Lumen Summary</p> <table border="1"> <thead> <tr> <th>Zone</th> <th>Lumens</th> <th>%Lamp</th> <th>%Luminaire</th> </tr> </thead> <tbody> <tr><td>0-30</td><td>401.0</td><td>40%</td><td>40%</td></tr> <tr><td>0-40</td><td>628.4</td><td>62.6%</td><td>62.7%</td></tr> <tr><td>0-60</td><td>921.4</td><td>91.8%</td><td>91.9%</td></tr> <tr><td>60-90</td><td>81.3</td><td>8.1%</td><td>8.1%</td></tr> <tr><td>0-90</td><td>1,002.8</td><td>99.9%</td><td>100%</td></tr> </tbody> </table>	Zone	Lumens	%Lamp	%Luminaire	0-30	401.0	40%	40%	0-40	628.4	62.6%	62.7%	0-60	921.4	91.8%	91.9%	60-90	81.3	8.1%	8.1%	0-90	1,002.8	99.9%	100%	<h3>RPA - 10L 30° BEAM</h3> <p>TEST DATE 2017-10-11 SERIES RPA4-10L-30K-30°-RLW LUMENS 1084.7 LM WATTS 20.4 W CCT 3000K</p> <p>Zone Lumen Summary</p> <table border="1"> <thead> <tr> <th>Zone</th> <th>Lumens</th> <th>%Lamp</th> <th>%Luminaire</th> </tr> </thead> <tbody> <tr><td>0-30</td><td>434.3</td><td>40%</td><td>40.1%</td></tr> <tr><td>0-40</td><td>681.0</td><td>62.8%</td><td>62.8%</td></tr> <tr><td>0-60</td><td>997.8</td><td>92%</td><td>92%</td></tr> <tr><td>60-90</td><td>86.3</td><td>8%</td><td>8%</td></tr> <tr><td>0-90</td><td>1,084.1</td><td>99.9%</td><td>100%</td></tr> </tbody> </table>	Zone	Lumens	%Lamp	%Luminaire	0-30	434.3	40%	40.1%	0-40	681.0	62.8%	62.8%	0-60	997.8	92%	92%	60-90	86.3	8%	8%	0-90	1,084.1	99.9%	100%	<h3>RPA - 10L 50° BEAM</h3> <p>TEST DATE 2017-10-11 SERIES RPA4-10L-30K-50°-RLW LUMENS 970.2 LM WATTS 20.4 W CCT 3000K</p> <p>Zone Lumen Summary</p> <table border="1"> <thead> <tr> <th>Zone</th> <th>Lumens</th> <th>%Lamp</th> <th>%Luminaire</th> </tr> </thead> <tbody> <tr><td>0-30</td><td>394.6</td><td>40.7%</td><td>40.7%</td></tr> <tr><td>0-40</td><td>612.1</td><td>63.1%</td><td>63.1%</td></tr> <tr><td>0-60</td><td>891.8</td><td>91.9%</td><td>92%</td></tr> <tr><td>60-90</td><td>78.0</td><td>8%</td><td>8%</td></tr> <tr><td>0-90</td><td>969.8</td><td>99.9%</td><td>100%</td></tr> </tbody> </table>	Zone	Lumens	%Lamp	%Luminaire	0-30	394.6	40.7%	40.7%	0-40	612.1	63.1%	63.1%	0-60	891.8	91.9%	92%	60-90	78.0	8%	8%	0-90	969.8	99.9%	100%	<h3>RPA - 10L 80° BEAM</h3> <p>TEST DATE 2017-10-11 SERIES RPA4-10L-30K-80°-RLW LUMENS 819.5 LM WATTS 20.4 W CCT 3000K</p> <p>Zone Lumen Summary</p> <table border="1"> <thead> <tr> <th>Zone</th> <th>Lumens</th> <th>%Lamp</th> <th>%Luminaire</th> </tr> </thead> <tbody> <tr><td>0-30</td><td>336.9</td><td>41.1%</td><td>41.1%</td></tr> <tr><td>0-40</td><td>517.4</td><td>63.1%</td><td>63.2%</td></tr> <tr><td>0-60</td><td>751.3</td><td>91.7%</td><td>91.7%</td></tr> <tr><td>60-90</td><td>67.9</td><td>8.3%</td><td>8.3%</td></tr> <tr><td>0-90</td><td>819.1</td><td>99.9%</td><td>100%</td></tr> </tbody> </table>	Zone	Lumens	%Lamp	%Luminaire	0-30	336.9	41.1%	41.1%	0-40	517.4	63.1%	63.2%	0-60	751.3	91.7%	91.7%	60-90	67.9	8.3%	8.3%	0-90	819.1	99.9%	100%
Zone	Lumens	%Lamp	%Luminaire																																																																																																
0-30	401.0	40%	40%																																																																																																
0-40	628.4	62.6%	62.7%																																																																																																
0-60	921.4	91.8%	91.9%																																																																																																
60-90	81.3	8.1%	8.1%																																																																																																
0-90	1,002.8	99.9%	100%																																																																																																
Zone	Lumens	%Lamp	%Luminaire																																																																																																
0-30	434.3	40%	40.1%																																																																																																
0-40	681.0	62.8%	62.8%																																																																																																
0-60	997.8	92%	92%																																																																																																
60-90	86.3	8%	8%																																																																																																
0-90	1,084.1	99.9%	100%																																																																																																
Zone	Lumens	%Lamp	%Luminaire																																																																																																
0-30	394.6	40.7%	40.7%																																																																																																
0-40	612.1	63.1%	63.1%																																																																																																
0-60	891.8	91.9%	92%																																																																																																
60-90	78.0	8%	8%																																																																																																
0-90	969.8	99.9%	100%																																																																																																
Zone	Lumens	%Lamp	%Luminaire																																																																																																
0-30	336.9	41.1%	41.1%																																																																																																
0-40	517.4	63.1%	63.2%																																																																																																
0-60	751.3	91.7%	91.7%																																																																																																
60-90	67.9	8.3%	8.3%																																																																																																
0-90	819.1	99.9%	100%																																																																																																
<h3>RPA - 14L 18° BEAM</h3> <p>TEST DATE 2017-10-11 SERIES RPA4-14L-30K-18°-RLW LUMENS 1310.6 LM WATTS 30.5 W CCT 3000K</p> <p>Zone Lumen Summary</p> <table border="1"> <thead> <tr> <th>Zone</th> <th>Lumens</th> <th>%Lamp</th> <th>%Luminaire</th> </tr> </thead> <tbody> <tr><td>0-30</td><td>520.9</td><td>39.7%</td><td>39.8%</td></tr> <tr><td>0-40</td><td>817.2</td><td>62.3%</td><td>62.4%</td></tr> <tr><td>0-60</td><td>1,203.5</td><td>91.8%</td><td>91.8%</td></tr> <tr><td>60-90</td><td>106.4</td><td>8.1%</td><td>8.1%</td></tr> <tr><td>0-90</td><td>1,309.9</td><td>99.9%</td><td>100%</td></tr> </tbody> </table>	Zone	Lumens	%Lamp	%Luminaire	0-30	520.9	39.7%	39.8%	0-40	817.2	62.3%	62.4%	0-60	1,203.5	91.8%	91.8%	60-90	106.4	8.1%	8.1%	0-90	1,309.9	99.9%	100%	<h3>RPA - 14L 30° BEAM</h3> <p>TEST DATE 2017-10-11 SERIES RPA4-14L-30K-30°-RLW LUMENS 1419.9 LM WATTS 30.4 W CCT 3000K</p> <p>Zone Lumen Summary</p> <table border="1"> <thead> <tr> <th>Zone</th> <th>Lumens</th> <th>%Lamp</th> <th>%Luminaire</th> </tr> </thead> <tbody> <tr><td>0-30</td><td>566.4</td><td>39.9%</td><td>39.9%</td></tr> <tr><td>0-40</td><td>889.4</td><td>62.6%</td><td>62.7%</td></tr> <tr><td>0-60</td><td>1,305.8</td><td>92%</td><td>92%</td></tr> <tr><td>60-90</td><td>113.3</td><td>8%</td><td>8%</td></tr> <tr><td>0-90</td><td>1,419.1</td><td>99.9%</td><td>100%</td></tr> </tbody> </table>	Zone	Lumens	%Lamp	%Luminaire	0-30	566.4	39.9%	39.9%	0-40	889.4	62.6%	62.7%	0-60	1,305.8	92%	92%	60-90	113.3	8%	8%	0-90	1,419.1	99.9%	100%	<h3>RPA - 14L 50° BEAM</h3> <p>TEST DATE 2017-10-11 SERIES RPA4-14L-30K-50°-RLW LUMENS 1253.7 LM WATTS 30.4 W CCT 3000K</p> <p>Zone Lumen Summary</p> <table border="1"> <thead> <tr> <th>Zone</th> <th>Lumens</th> <th>%Lamp</th> <th>%Luminaire</th> </tr> </thead> <tbody> <tr><td>0-30</td><td>510.4</td><td>40.7%</td><td>40.7%</td></tr> <tr><td>0-40</td><td>791.6</td><td>63.1%</td><td>63.2%</td></tr> <tr><td>0-60</td><td>1,152.4</td><td>91.9%</td><td>92%</td></tr> <tr><td>60-90</td><td>100.6</td><td>8%</td><td>8%</td></tr> <tr><td>0-90</td><td>1,253.0</td><td>99.9%</td><td>100%</td></tr> </tbody> </table>	Zone	Lumens	%Lamp	%Luminaire	0-30	510.4	40.7%	40.7%	0-40	791.6	63.1%	63.2%	0-60	1,152.4	91.9%	92%	60-90	100.6	8%	8%	0-90	1,253.0	99.9%	100%	<h3>RPA - 14L 80° BEAM</h3> <p>TEST DATE 2017-10-11 SERIES RPA4-14L-30K-80°-RLW LUMENS 1064.8 LM WATTS 30.4 W CCT 3000K</p> <p>Zone Lumen Summary</p> <table border="1"> <thead> <tr> <th>Zone</th> <th>Lumens</th> <th>%Lamp</th> <th>%Luminaire</th> </tr> </thead> <tbody> <tr><td>0-30</td><td>438.2</td><td>41.2%</td><td>41.2%</td></tr> <tr><td>0-40</td><td>672.9</td><td>63.2%</td><td>63.2%</td></tr> <tr><td>0-60</td><td>976.5</td><td>91.7%</td><td>91.8%</td></tr> <tr><td>60-90</td><td>87.7</td><td>8.2%</td><td>8.2%</td></tr> <tr><td>0-90</td><td>1,064.3</td><td>100%</td><td>100%</td></tr> </tbody> </table>	Zone	Lumens	%Lamp	%Luminaire	0-30	438.2	41.2%	41.2%	0-40	672.9	63.2%	63.2%	0-60	976.5	91.7%	91.8%	60-90	87.7	8.2%	8.2%	0-90	1,064.3	100%	100%
Zone	Lumens	%Lamp	%Luminaire																																																																																																
0-30	520.9	39.7%	39.8%																																																																																																
0-40	817.2	62.3%	62.4%																																																																																																
0-60	1,203.5	91.8%	91.8%																																																																																																
60-90	106.4	8.1%	8.1%																																																																																																
0-90	1,309.9	99.9%	100%																																																																																																
Zone	Lumens	%Lamp	%Luminaire																																																																																																
0-30	566.4	39.9%	39.9%																																																																																																
0-40	889.4	62.6%	62.7%																																																																																																
0-60	1,305.8	92%	92%																																																																																																
60-90	113.3	8%	8%																																																																																																
0-90	1,419.1	99.9%	100%																																																																																																
Zone	Lumens	%Lamp	%Luminaire																																																																																																
0-30	510.4	40.7%	40.7%																																																																																																
0-40	791.6	63.1%	63.2%																																																																																																
0-60	1,152.4	91.9%	92%																																																																																																
60-90	100.6	8%	8%																																																																																																
0-90	1,253.0	99.9%	100%																																																																																																
Zone	Lumens	%Lamp	%Luminaire																																																																																																
0-30	438.2	41.2%	41.2%																																																																																																
0-40	672.9	63.2%	63.2%																																																																																																
0-60	976.5	91.7%	91.8%																																																																																																
60-90	87.7	8.2%	8.2%																																																																																																
0-90	1,064.3	100%	100%																																																																																																

[CLICK HERE OR VISIT PRODUCT PAGE FOR COMPREHENSIVE TECHNICAL INFORMATION](#)

PRIME

PRIME 4" LED ARCHITECTURAL
ROUND FLANGELESS WALL WASH

4" PRIME WALL WASH

IES TECH INFO AT A GLANCE

RPA - 17L - RLW 18° BEAM		RPA - 17L 30° BEAM		RPA - 17L 50° BEAM		RPA - 17L 80° BEAM	
TEST DATE	2017-10-11	TEST DATE	2017-10-11	TEST DATE	2017-10-11	TEST DATE	2017-10-11
SERIES	RPA4-17L-30K-18°-RLW	SERIES	RPA4-17L-30K-30°-RLW	SERIES	RPA4-17L-30K-50°-RLW	SERIES	RPA4-17L-30K-80°-RLW
LUMENS	1598.8 LM	LUMENS	1732.9 LM	LUMENS	1609.9 LM	LUMENS	1402.8 LM
WATTS	29.7 W	WATTS	29.7 W	WATTS	29.7 W	WATTS	29.7 W
CCT	3000K	CCT	3000K	CCT	3000K	CCT	3000K

Zone Lumen Summary		Zone Lumen Summary		Zone Lumen Summary		Zone Lumen Summary	
Zone	Lumens	%Lamp	%Luminaire	Zone	Lumens	%Lamp	%Luminaire
0-30	639.8	40%	40%	0-30	694.4	40.1%	40.1%
0-40	1,000.9	62.6%	62.6%	0-40	1,087.3	62.7%	62.8%
0-60	1,468.8	91.9%	91.9%	0-60	1,593.3	91.9%	92%
60-90	129.1	8.1%	8.1%	60-90	138.6	8%	8%
0-90	1,598.0	99.9%	100%	0-90	1,732.0	99.9%	100%

Zone Lumen Summary		Zone Lumen Summary		Zone Lumen Summary		Zone Lumen Summary	
Zone	Lumens	%Lamp	%Luminaire	Zone	Lumens	%Lamp	%Luminaire
0-30	653.4	40.6%	40.6%	0-30	653.4	40.6%	40.6%
0-40	1,013.1	62.9%	63%	0-40	1,013.1	62.9%	63%
0-60	1,477.8	91.8%	91.8%	0-60	1,477.8	91.8%	91.8%
60-90	131.3	8.2%	8.2%	60-90	131.3	8.2%	8.2%
0-90	1,609.1	99.9%	100%	0-90	1,609.1	99.9%	100%

Zone Lumen Summary		Zone Lumen Summary		Zone Lumen Summary		Zone Lumen Summary	
Zone	Lumens	%Lamp	%Luminaire	Zone	Lumens	%Lamp	%Luminaire
0-30	575.2	41.0%	41.0%	0-30	575.2	41.0%	41.0%
0-40	884.1	63%	63.1%	0-40	884.1	63%	63.1%
0-60	1,285.4	91.6%	91.7%	0-60	1,285.4	91.6%	91.7%
60-90	116.7	8.3%	8.3%	60-90	116.7	8.3%	8.3%
0-90	1,402.1	99.9%	100%	0-90	1,402.1	99.9%	100%

RPA - 20L 18° BEAM		RPA - 20L 30° BEAM		RPA - 20L 50° BEAM		RPA - 20L 80° BEAM	
TEST DATE	2017-10-11	TEST DATE	2017-10-11	TEST DATE	2017-10-11	TEST DATE	2017-10-11
SERIES	RPA4-20L-30K-18°-RLW	SERIES	RPA4-20L-30K-30°-RLW	SERIES	RPA4-20L-30K-50°-RLW	SERIES	RPA4-20L-30K-80°-RLW
LUMENS	1905.4 LM	LUMENS	2065 LM	LUMENS	1901.4 LM	LUMENS	1673.8 LM
WATTS	37.8 W	WATTS	37.8 W	WATTS	37.8 W	WATTS	37.8 W
CCT	3000K	CCT	3000K	CCT	3000K	CCT	3000K

Zone Lumen Summary		Zone Lumen Summary		Zone Lumen Summary		Zone Lumen Summary	
Zone	Lumens	%Lamp	%Luminaire	Zone	Lumens	%Lamp	%Luminaire
0-30	762.5	40%	40%	0-30	825.2	40%	40%
0-40	1,192.8	62.6%	62.6%	0-40	1,293.3	62.6%	62.7%
0-60	1,750.3	91.9%	91.9%	0-60	1,897.9	91.9%	92%
60-90	154.0	8.1%	8.1%	60-90	166.0	8%	8%
0-90	1,904.4	99.9%	100%	0-90	2,063.9	99.9%	100%

Zone Lumen Summary		Zone Lumen Summary		Zone Lumen Summary		Zone Lumen Summary	
Zone	Lumens	%Lamp	%Luminaire	Zone	Lumens	%Lamp	%Luminaire
0-30	772.9	40.6%	40.7%	0-30	772.9	40.6%	40.7%
0-40	1,197.6	63.0%	63.0%	0-40	1,197.6	63.0%	63.0%
0-60	1,745.7	91.8%	91.9%	0-60	1,745.7	91.8%	91.9%
60-90	154.7	8.1%	8.1%	60-90	154.7	8.1%	8.1%
0-90	1,900.4	99.9%	100%	0-90	1,900.4	99.9%	100%

Zone Lumen Summary		Zone Lumen Summary		Zone Lumen Summary		Zone Lumen Summary	
Zone	Lumens	%Lamp	%Luminaire	Zone	Lumens	%Lamp	%Luminaire
0-30	686.5	41%	41%	0-30	686.5	41%	41%
0-40	1,054.9	63%	63.1%	0-40	1,054.9	63%	63.1%
0-60	1,533.8	91.6%	91.7%	0-60	1,533.8	91.6%	91.7%
60-90	139.0	8.3%	8.3%	60-90	139.0	8.3%	8.3%
0-90	1,672.9	100%	100%	0-90	1,672.9	100%	100%

[CLICK HERE OR VISIT PRODUCT PAGE FOR COMPREHENSIVE TECHNICAL INFORMATION](#)

PRIME

PRIME 4" LED ARCHITECTURAL
ROUND FLANGELESS WALL WASH

4" PRIME WALL WASH

IES TECH INFO AT A GLANCE

RPA - 22L - RLW 18° BEAM

TEST DATE 2017-10-11
SERIES RPA4-22L-30K-18°-RLW
LUMENS 2124.4 LM
WATTS 45.6 W
CCT 3000K

Zone	Lumens	%Lamp	%Luminaire
0-30	846.8	39.9%	39.9%
0-40	1,326.5	62.4%	62.4%
0-60	1,950.3	91.8%	91.9%
60-90	173.0	8.1%	8.1%
0-90	2,123.3	99.9%	100%

RPA - 22L 30° BEAM

TEST DATE 2017-10-11
SERIES RPA4-22L-30K-30°-RLW
LUMENS 2297.7 LM
WATTS 45.6 W
CCT 3000K

Zone	Lumens	%Lamp	%Luminaire
0-30	916.0	39.9%	39.9%
0-40	1,435.1	62.5%	62.5%
0-60	2,108.9	91.8%	91.9%
60-90	186.6	8.1%	8.1%
0-90	2,295.5	99.9%	100%

RPA - 22L 50° BEAM

TEST DATE 2017-10-11
SERIES RPA4-22L-30K-50°-RLW
LUMENS 2111.5 LM
WATTS 45.5 W
CCT 3000K

Zone	Lumens	%Lamp	%Luminaire
0-30	859.8	40.7%	40.7%
0-40	1,331.6	63.1%	63.1%
0-60	1,939.1	91.8%	91.9%
60-90	171.2	8.1%	8.1%
0-90	2,110.3	99.9%	100%

RPA - 22L 80° BEAM

TEST DATE 2017-10-11
SERIES RPA4-22L-30K-80°-RLW
LUMENS 1852.2 LM
WATTS 45.5 W
CCT 3000K

Zone	Lumens	%Lamp	%Luminaire
0-30	759.7	41.0%	41.0%
0-40	1,167.3	63%	63.1%
0-60	1,697.3	91.6%	91.7%
60-90	153.9	8.3%	8.3%
0-90	1,851.2	99.9%	100%

RPA - 25L 18° BEAM

TEST DATE 2017-10-11
SERIES RPA4-25L-30K-18°-RLW
LUMENS 2348.8 LM
WATTS 56.9 W
CCT 3000K

Zone	Lumens	%Lamp	%Luminaire
0-30	955.4	40.7%	40.7%
0-40	1,479.9	63%	63%
0-60	2,162.2	92.1%	92.1%
60-90	185.6	7.9%	7.9%
0-90	2,347.8	100%	100%

RPA - 25L 30° BEAM

TEST DATE 2017-10-11
SERIES RPA4-25L-30K-30°-RLW
LUMENS 2587.6 LM
WATTS 57.0 W
CCT 3000K

Zone	Lumens	%Lamp	%Luminaire
0-30	1,053.4	40.7%	40.7%
0-40	1,634.0	63.1%	63.2%
0-60	2,384.7	92.2%	92.2%
60-90	201.8	7.8%	7.8%
0-90	2,586.5	100%	100%

RPA - 25L 50° BEAM

TEST DATE 2017-10-11
SERIES RPA4-25L-30K-50°-RLW
LUMENS 2042.6 LM
WATTS 56.9 W
CCT 3000K

Zone	Lumens	%Lamp	%Luminaire
0-30	1,036.3	50.7%	50.8%
0-40	1,465.2	71.7%	71.8%
0-60	1,914.1	93.7%	93.7%
60-90	127.8	6.3%	6.3%
0-90	2,042.0	100%	100%

RPA - 25L 80° BEAM

TEST DATE 2017-10-11
SERIES RPA4-25L-30K-80°-RLW
LUMENS 1754.3 LM
WATTS 57.0 W
CCT 3000K

Zone	Lumens	%Lamp	%Luminaire
0-30	874.1	49.8%	49.8%
0-40	1,243.3	70.9%	70.9%
0-60	1,639.6	93.5%	93.5%
60-90	114.1	6.5%	6.5%
0-90	1,753.7	100%	100%

[CLICK HERE OR VISIT PRODUCT PAGE FOR COMPREHENSIVE TECHNICAL INFORMATION](#)