

PROJECT: _____
 MODEL #: _____
 LOCATION: _____
 CONTACT: _____

USE OF PRODUCT

The RHL3-ICAT is the ideal product for general purpose recessed LED housing for residential, commercial, hospitality, health care, restaurant and retail applications. This product is compatible with the Versatrim RFL3 Series in round or square in various baffle, reflector, and trim ring color selections to achieve a particular look.

CONSTRUCTION

- **Minimum Clearance** "IC" or insulated ceiling housings are rated for direct contact with insulation. No minimum clearance is required.
- **CEILING THICKNESS** Housing adjusts from 1/2" to 1 1/2"
- **BAR HANGERS** Bar Hangers are adjustable from 13-5/8" to 25" and can be repositioned to 90°.
- **JUNCTION BOX** Junction box is listed for through branch circuit wiring and contains seven 7/8 knockouts and four ROMEX pryouts with strain relief.
- **PLASTER FRAME** Galvanized steel construction
- **CONNECTION** Quick connect provided for easy connection to Versatrim RFL4 Series LED module to meet non-screw base socket requirements per California Title 24.

EMERGENCY

Optional emergency back-up may be ordered separately. Unit operates for 90 minutes with LED modules up to 20 Watts and is Damp location rated, 120/277AC operational.

MODULE COMPATIBILITY

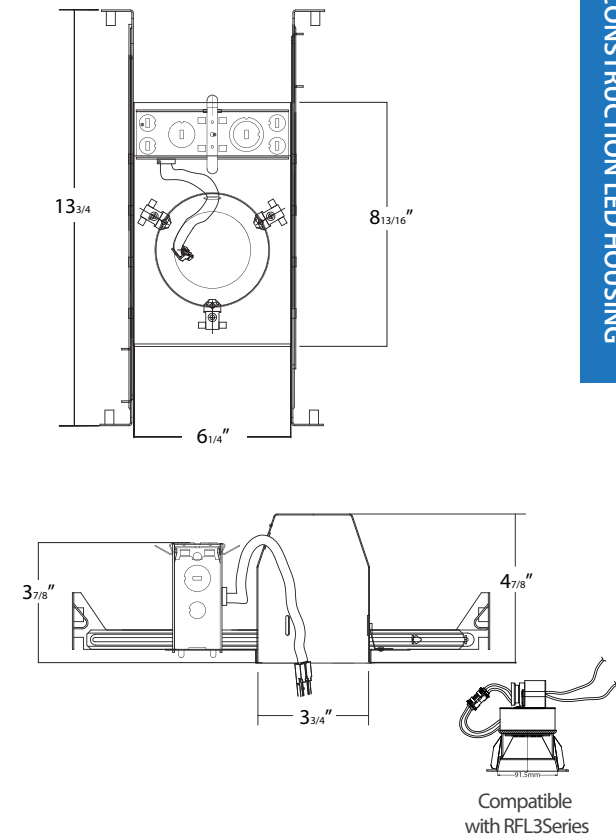
RHL3-ICAT is compatible with the Versatrim RFL3 Series in round or square in various baffle, reflector, and trim ring color selections to achieve appearance of choice.

LABELS/COMPLIANCE

cUL listed for Wet location
 Certified under ASTM-283 for Air-Tight Construction
 Title 24 Compliant

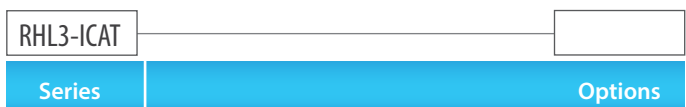


DIMENSIONS



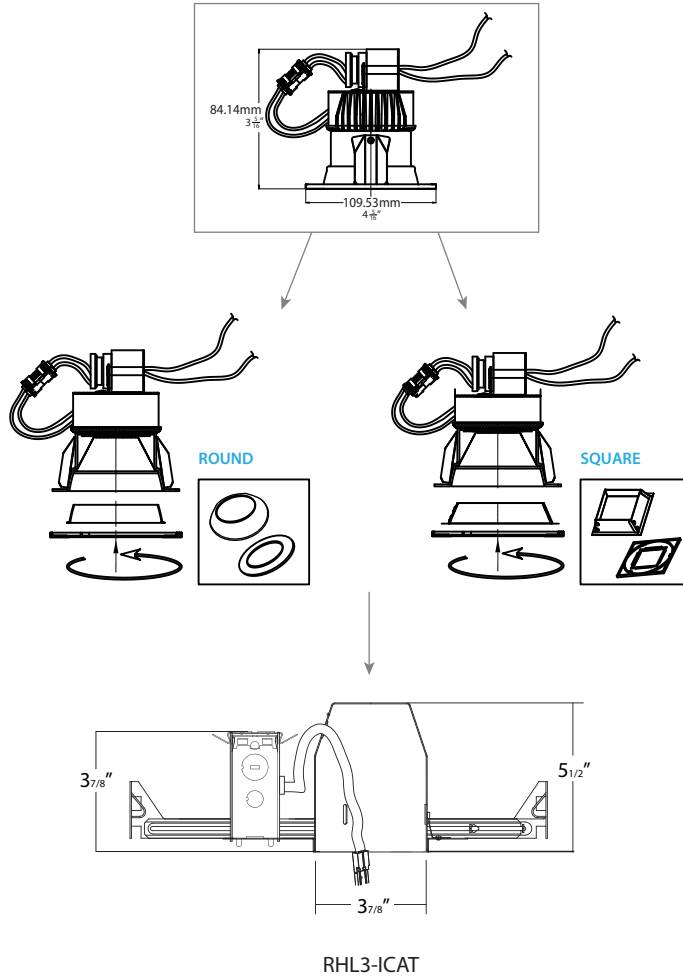
RHL3-ICAT - 3" IC AIR-TIGHT, NEW CONSTRUCTION LED HOUSING

ORDERING INFO



RHL3-ICAT - 3" IC AirTight New Construction LED Housing

- EM - Emergency Back-Up
- 010 - 0-10V Driver
- 277 SDT - 277V Step Down Transformer
- 347 SDT - 347V Step Down Transformer



COMPATIBLE RAYON BAFFLES, REFLECTORS, AND TRIM RINGS

Module	Baffle	Reflector	Trim	
RFL3-12W7L27K	3BLW	3RLCH	3TLW	round
RFL3-12W7L30K	3BLSN	3RLSN	3TLSN	
RFL3-12W7L35K	3BLC	3RLC	3TLC	
RFL3-12W7L40K	3BLB	3RLB	3TLB	
	3BLBZ	3RLBZ	3TLBZ	
		3RLH	3TLH	
	3BLCX	3RLCX	3TLCX	square
	3SBLW	3SRLW	3STLW	
	3SBLH	3SRLH	3STLH	
	3SBLB	3SRLB	3STLB	
		3SRLSN	3STLSN	
		3SRCH		
	3SBLCX	3SRLCX	3STLCX	