



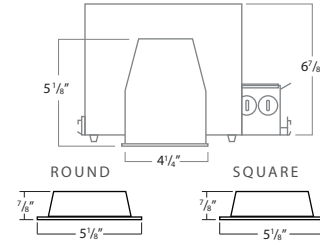
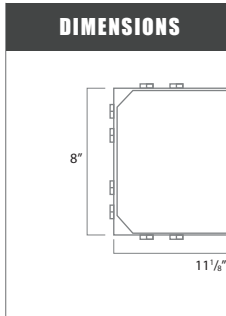
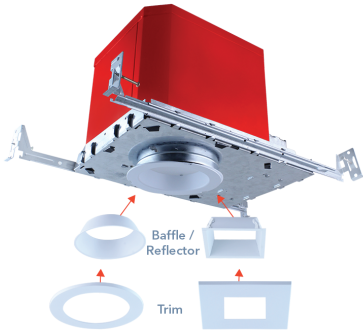
4" LED FIRE RATED VERSATRIM DOWNLIGHT

PROJECT: _____

MODEL #: _____

LOCATION: _____

CONTACT: _____



Use of Product
The Fire Rated LED New Construction Downlight Series provides 2 hour fire protection by utilization of non-combustible insulation within the fixture's double wall. This design prevents flames, toxic gases, and ignitable gases to pass through into the ceiling plenum making a great choice for residential, multifamily, and commercial applications.

- Features**
- 2 Hour fire rating
 - Rated for direct contact with insulation.
 - Insulation also performs as sound barrier thereby preventing sound between floors
 - Watts: 12W
 - Lumens: 850 Lumens
 - Voltage: 120V (standard) with Triac/ELV driver. 120-277V (optional) with 0-10V driver.
 - Color Temperature: 2700K, 3000K, 3500K or 4000K
 - Color Rendering Index: 93+ CRI Typical
 - SDGM: 2 Step binning
 - R9 Value: 85
 - LED Life: 50,000 hours
 - LED Type: Cree LED for maximum light output
 - Versatility: Interchangeable baffle, reflector, and trim ring in round and square
 - Warranty: 5 Year Limited Warranty
 - Wet Location Certified

LED Driver
Standard Triac/ELV or optional 0-10V driver provides high power factor with the optimum thermal management to prevent damage caused by high temperature. Driver protections include: output open load, over-current and short circuit, and over temperature with auto recovery.

Emergency Battery
Optional emergency back-up may be ordered separately. Unit operates for 90 minutes with LED modules up to 20 Watts and is Damp location rated, 120/277AC operational, 800 delivered lumens. Ceiling access required with emergency option.

Dimming
Available in two driver selections. Standard driver is Triac/ELV driver (120V). Optional 0-10V driver is 120-277V, "018" provides 800 delivered lumens and "011" provides 1100 delivered lumens.

Module Mechanics
The RFL4 Series is constructed of durable heat sink, baffle or reflector, trim ring, diffused lens and Cree LEDs for optimum performance. Interchangeable round or square baffle, reflector, and trim ring are designed for convenient color selection and replacement in the field. Diffused lens provides for even light output, glare control, and conceals LEDs from view.

Plaster Frame
Galvanized steel construction. The housing can be removed from plaster frame to provide access to the junction box.

Housing
Die formed 22 gauge galvanized steel construction. Housing interior is comprised of a flexible non-combustible insulation.

Junction Box

- Listed for through branch circuit wiring.
- Contains one 1-1/8", one 1/2", three 7/8" knockouts. and four Romex pryouts with strain relief.

Bar Hanger

- Pre-installed real nail easily installs in regular lumber or engineered lumber.
- Bar hangers are adjustable from 13-5/8" to 25" and can be repositioned to 90° on plaster frame.
- Swivel bar hanger bendable at 90° angle for easy installation.

- Labels/Compliance**
- UL1598
 - UL263
 - cULUS Listed for feed through
 - Certified under ASTM-E283 for air-tight construction
 - CSA Classified for wet location
 - LM79 and LM80
 - Can be used for state of California Title 24 compliance
 - JAB certified
 - Energy Star

RHL4F-ICAT & RFL4

ORDERING INFO

RHL4F-ICAT	RFL4						
Series	Module	Lumens	Color Temp.	Dimming	Baffle or Reflector	Trim	
RHL4F-ICAT - 4" IC Fire Rated Air-Tight New Construction LED Housing	RFL4	8L - 850 Lumens	WD - Warm Dim (3000K-1800K)	Leave blank - Triac/ELV 018 - 0-10V Dimming (800 lumens) 011 - 0-10V Dimming (1100 lumens)	ROUND		
					4BLW - White 4BLSN - Satin Nickel 4BLC - Copper 4BLB - Black 4BLBZ - Bronze 4RLW - White 4RLCH - Chrome 4RLSN - Satin Nickel 4RLC - Copper 4RLB - Black 4RLBZ - Bronze 4RLH - Haze 4RLCX - Custom 4TLW - White 4TLSN - Satin Nickel 4TLC - Copper 4TLB - Black 4TLBZ - Bronze 4TLH - Haze 4TLCX - Custom		
					SQUARE		
					4SBLW - White 4SBLB - Black 4SRLW - White 4SRLB - Black 4SRLH - Haze 4SRLSN - Satin Nickel 4SRLCH - Chrome 4SRLBZ - Bronze 4SRLCX - Custom 4STLW - White 4STLB - Black 4STLH - Haze 4STLSN - Satin Nickel 4STLBZ - Bronze 4STLTX - Custom		

1. Ceiling access required.

Options

- 347SDT[™] - 347V Step down Transformer
- EM¹ - Emergency Back-up

PROJECT: _____

MODEL #: _____

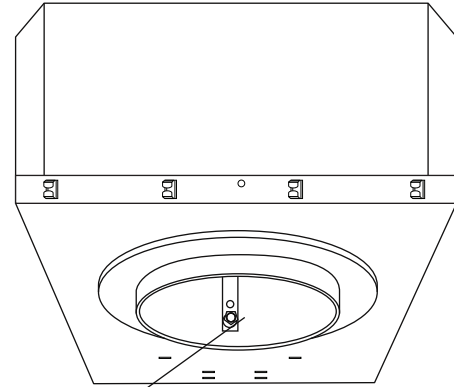
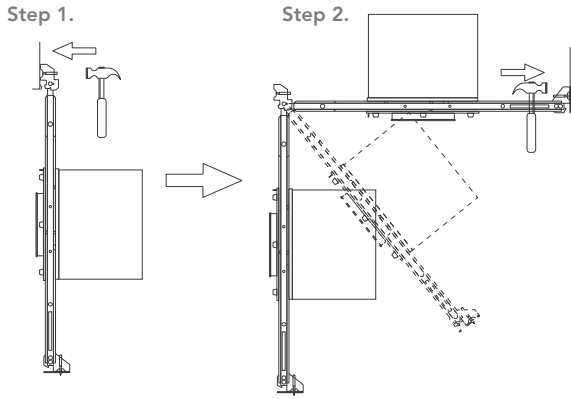
LOCATION: _____

CONTACT: _____



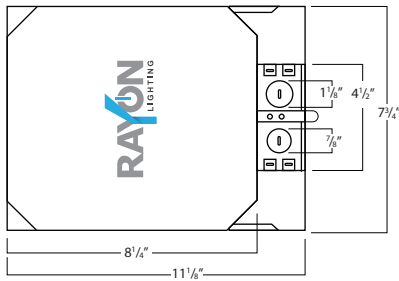
INSTALLATION BY SWIVEL BAR HANGER

CEILING THICKNESS

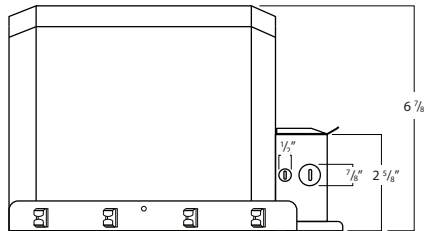


3/8" (standard) - 1-5/8"
Loosen screw and lower the collar to required ceiling depth

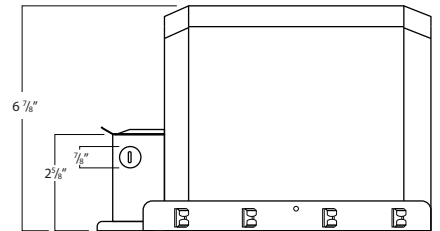
KNOCKOUT DIMENSIONS



Aerial View



Right Side Profile



Left Side Profile

RHL4F-ICAT & RFL4