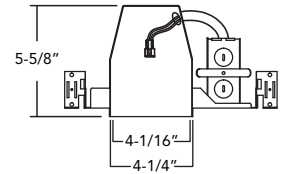
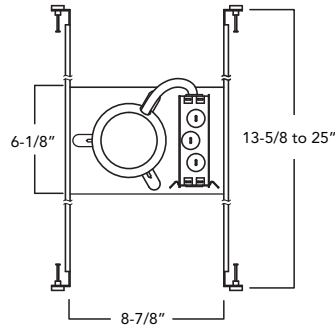
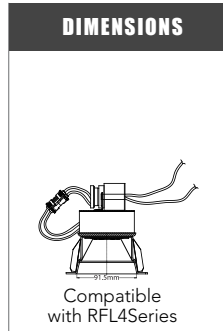


PROJECT: _____

MODEL #: _____

LOCATION: _____

CONTACT: _____



USE OF PRODUCT

The RHL4-ICAT is the ideal product for general purpose recessed LED housing for residential, commercial, hospitality, health care, restaurant and retail applications. This product is compatible with the Versatrim RFL4 Series in round or square in various baffle, reflector, and trim ring color selections to achieve a particular look.

CONSTRUCTION

- Minimum Clearance Rated for IC/ Non - IC application. "IC" or insulated ceiling housings are rated for direct contact with insulation. No minimum clearance is required.
- Ceiling Thickness Up to 1 1/4".
- Bar Hangers Bar Hangers are adjustable from 13-5/8" and can be repositioned to 90° on plaster frame. Pre-installed "real nail" easily installs in regular lumber, engineered lumber
- Junction Box Junction box is listed for through branch circuit wiring and contains seven 7/8" knockouts and four ROMEX pryouts with Romex cable clamp. Ground wire provided on J-Box.
- New Construction Frame Galvanized steel construction.
- Connection Quick connect provided for easy connection to Versatrim RFL4 Series LED module to meet non-screw base socket requirements per California Title 24.

DIMMING

Available in 9 driver selections. Standard Triac/ELV, 120V. (018) 0-10V dimming in 800 lumens, 120-277V. (011) 0-10V dimming in 1100 lumens, 120-277V. (PEQ0) Lutron Hi-Lume Premier Ecosystem 0.1% w/soft on, fade to black dimming, 120-277V. (LDE1) Lutron Hi-Lume 1% Ecosystem with soft on, fade to black dimming, 120-277V. (LTE) Hi-Lume 1% 2-wire, 120V. (L3DA) Hi-lume 1% EcoSystem/3-Wire L3D Driver. (EEI) eldoLED Eco 1% Dim (0-10V), 120-277V. (EDIO) eldoLED Solo 0.1% Dim(0-10V), 120-277V. (EDID) eldoLED Solo 0.1% Dim(DALI), 120-277V.

EMERGENCY

Optional emergency back-up may be ordered separately. Unit operates for 90 minutes with LED modules up to 20 Watts and is Damp location rated , 120/277AC operational.

MODULE COMPATIBILITY

RHL4-ICAT is compatible with the Versatrim RFL4 Series in round or square in various baffle, reflector, and trim ring color selections to achieve appearance of choice.

LABELS/COMPLIANCE

cUL listed for Wet location
Certified under ASTM-283 for Air-Tight Construction
Title 24 Compliant

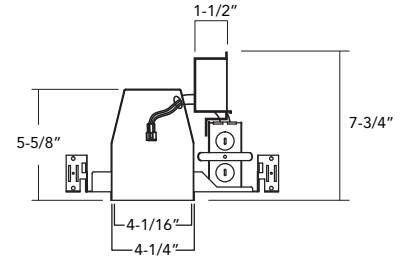
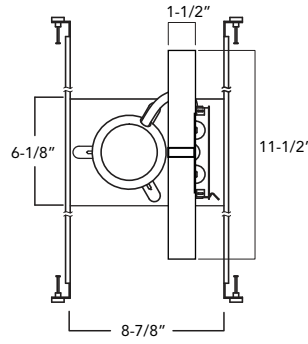
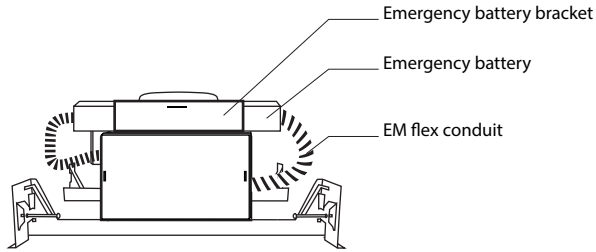


ORDERING INFO

RHL4-ICAT		
Series	Dimming	Options
RHL4-ICAT - 4" IC Air-Tight New Construction LED Housing	<p>Leave blank - Triac/ELV</p> <p>018¹ - 0-10V Dimming (800 lumens)</p> <p>019¹ - 0-10V Dimming (900 lumens)</p> <p>011¹ - 0-10V Dimming (1100 lumens)</p> <p>PEQ0¹ - Lutron Hi-Lume Premier Ecosystem 0.1% w/soft on, fade to black dimming</p> <p>LDE1¹ - Lutron Hi-Lume 1% Ecosystem with soft on, fade to black dimming</p> <p>LTE^{1,2} - Hi-Lume 1% 2-wire</p> <p>L3DA - Hi-lume 1% EcoSystem/3-Wire L3D Driver</p> <p>EEI^{1,3} - eldoLED Eco 1% Dim (0-10V)</p> <p>EDIO^{1,3} - eldoLED Solo 0.1% Dim (0-10V)</p> <p>EDID^{1,3} - eldoLED Solo 0.1% Dim (DALI)</p>	<p>EM¹ - Emergency battery</p> <p>277SDT¹ - 277V Step down transformer</p> <p>347SDT¹ - 347V Step down transformer</p>

1. Inapplicable for REC Series
2. 120V only.
3. Must specify logarithmic or linear eldoLED driver.

EMERGENCY BATTERY DIMENSIONS



Emergency battery test switch available in remote or integral

CHARGE

 PUSH
 TO TEST

•

Remote within ceiling Integral within the trim