



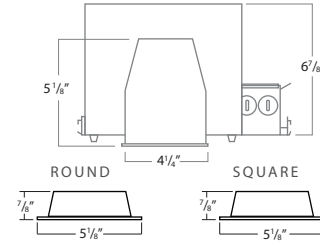
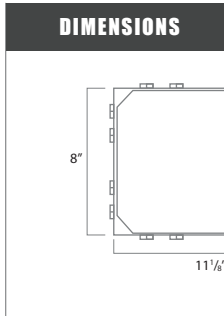
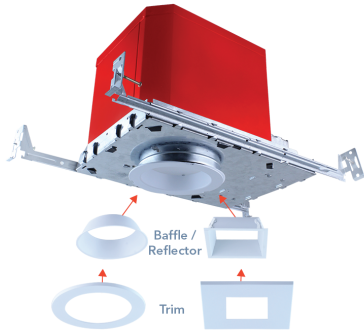
# 4" LED FIRE RATED VERSATRIM DOWNLIGHT

**PROJECT:** \_\_\_\_\_

**MODEL #:** \_\_\_\_\_

**LOCATION:** \_\_\_\_\_

**CONTACT:** \_\_\_\_\_



**Use of Product**  
The Fire Rated LED New Construction Downlight Series provides 2 hour fire protection by utilization of non-combustible insulation within the fixture's double wall. This design prevents flames, toxic gases, and ignitable gases to pass through into the ceiling plenum making a great choice for residential, multifamily, and commercial applications.

**Features**

| Watts  | Delivered Lumens | Voltage | CRI | Driver Type |
|--------|------------------|---------|-----|-------------|
| 10.5 W | 800 lm           | 120V    | 93+ | TRIAC/ELV   |
| 12 W   | 1100 lm          | 120V    | 93+ | TRIAC/ELV   |

| Watts  | Delivered Lumens | Voltage  | CRI | Driver Type |
|--------|------------------|----------|-----|-------------|
| 10.5 W | 800 lm           | 120-277V | 93+ | 0-10V       |
| 12 W   | 1100 lm          | 120-277V | 93+ | 0-10V       |

- 2 Hour fire rating
- Rated for direct contact with insulation.
- Insulation also performs as sound barrier thereby preventing sound between floors
- Watts: 12W
- Lumens: 800 Lumens
- Voltage: 120V (standard) with Triac/ELV driver. 120-277V (optional) with 0-10V driver.
- Color Temperature: 2700K, 3000K, 3500K or 4000K
- Color Rendering Index: 93+ CRI Typical
- SDGM: 2 Step binning
- R9 Value: 85
- LED Life: 50,000 hours
- LED Type: Cree LED for maximum light output
- Versatility: Interchangeable baffle, reflector, and trim ring in round and square
- Warranty: 5 Year Limited Warranty
- Wet Location Certified

**LED Driver**  
Standard Triac/ELV or optional 0-10V driver provides high power factor with the optimum thermal management to prevent damage caused by high temperature. Driver protections include: output open load, over-current and short circuit, and over temperature with auto recovery.

**Emergency Battery**  
Optional emergency back-up may be ordered separately. Unit operates for 90 minutes with LED modules up to 20 Watts and is Damp location rated, 120/277AC operational, 800 delivered lumens. Ceiling access required with emergency option.

**Dimming**  
Available in two driver selections. Standard driver is Triac/ELV driver (120V). Optional 0-10V driver is 120-277V, "018" provides 800 delivered lumens and "011" provides 1100 delivered lumens.

**Module Mechanics**  
The RFL4 Series is constructed of durable heat sink, baffle or reflector, trim ring, diffused lens and Cree LEDs for optimum performance. Interchangeable round or square baffle, reflector, and trim ring are designed for convenient color selection and replacement in the field. Diffused, lens provides for even light output, glare control, and conceals LEDs from view.

**Plaster Frame**  
Galvanized steel construction. The housing can be removed from plaster frame to provide access to the junction box.

**Housing**  
Die formed 22 gauge galvanized steel construction. Housing interior is comprised of a flexible non-combustible insulation.

**Junction Box**  
- Listed for through branch circuit wiring.  
- Contains one 1-1/8", one 1/2", three 7/8" knockouts. and four Romex pryouts with strain relief.

**Bar Hanger**  
- Pre-installed real nail easily installs in regular lumber or engineered lumber.  
- Bar hangers are adjustable from 13-5/8" to 25" and can be repositioned to 90° on plaster frame.  
- Swivel bar hanger bendable at 90° angle for easy installation.

**Labels/Compliance**  
- UL1598  
- UL263  
- cULUS Listed for feed through  
- Certified under ASTM-E283 for air-tight construction  
- CSA Classified for wet location  
- LM79 and LM80  
- Can be used for state of California Title 24 compliance  
- JA8 certified  
- Energy Star

RHL4F-ICAT & RFL4

## ORDERING INFO

| RHL4F-ICAT   | RFL4   |                                      |  |  |   |  |
|--|--------|--------------------------------------|--|--|---|--|
| Series   | Module | Lumens                               | Color Temp.  | Dimming  | Baffle or Reflector   | Trim   |
| RHL4F-ICAT - 4" IC Fire Rated Air-Tight New Construction LED Housing | RFL4   | 8L - 800 Lumens<br>11L - 1100 Lumens | 27 - 2700K<br>30 - 3000K<br>35 - 3500K<br>40 - 4000K | Leave blank - Triac/ELV<br>018 - 0-10V Dimming (800 lumens)<br>011 - 0-10V Dimming (1100 lumens) | ROUND   |  |
|  |        |                                      |  |  | 4BLW - White<br>4BLSN - Satin Nickel<br>4BLC - Copper<br>4BLB - Black<br>4BLBZ - Bronze | 4RLW - White<br>4RLCH - Chrome<br>4RLSN - Satin Nickel<br>4RLC - Copper<br>4RLB - Black<br>4RLBZ - Bronze<br>4RLH - Haze<br>4RLCX - Custom |
|  |        |                                      |  |  |   | 4TLW - White<br>4TLSN - Satin Nickel<br>4TLB - Copper<br>4TLB - Black<br>4TLBZ - Bronze<br>4TLH - Haze<br>4TLCX - Custom                   |
|  |        |                                      |  |  | SQUARE  |  |
|  |        |                                      |  |  | 4SBLW - White<br>4SBLB - Black  | 4SRLW - White<br>4SRLB - Black<br>4SRLH - Haze<br>4SRLSN - Satin Nickel<br>4SRLCH - Chrome<br>4SRLBZ - Bronze<br>4SRLCX - Custom           |
|  |        |                                      |  |  |   | 4STLW - White<br>4STLB - Black<br>4STLH - Haze<br>4STLSN - Satin Nickel<br>4STLBZ - Bronze<br>4STLTX - Custom                              |

1. Ceiling access required.

### Options

- 347SDT<sup>™</sup> - 347V Step down Transformer
- EM<sup>1</sup> - Emergency Back-up

PROJECT: \_\_\_\_\_

MODEL #: \_\_\_\_\_

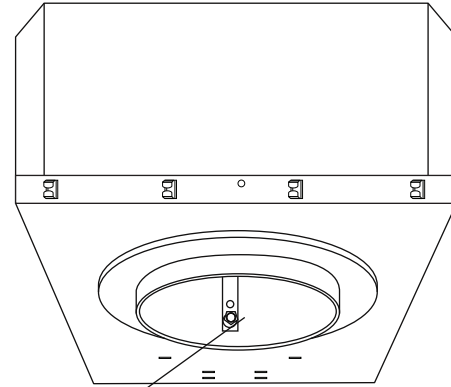
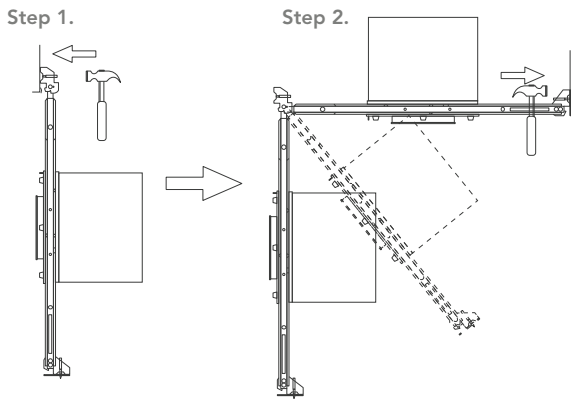
LOCATION: \_\_\_\_\_

CONTACT: \_\_\_\_\_



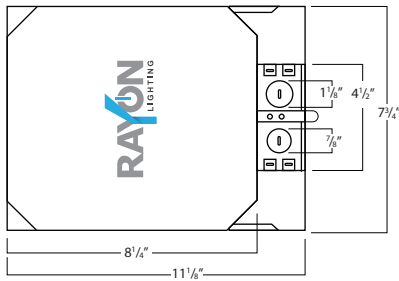
**INSTALLATION BY SWIVEL BAR HANGER**

**CEILING THICKNESS**

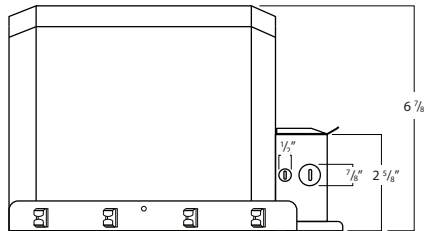


3/8" (standard) - 1-5/8"  
Loosen screw and lower the collar to required ceiling depth

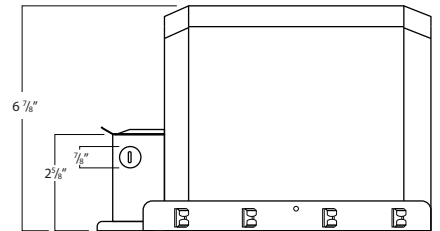
**KNOCKOUT DIMENSIONS**



Aerial View



Right Side Profile



Left Side Profile

RHL4F-ICAT & RFL4