



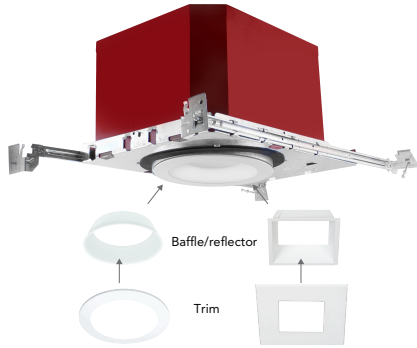
6" FIRE RATED VERSATRIM DOWNLIGHT

PROJECT: _____

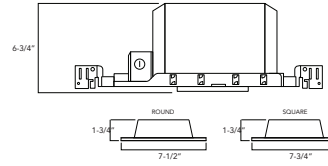
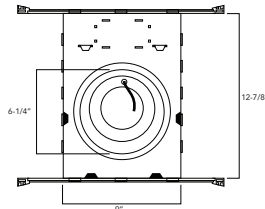
MODEL #: _____

LOCATION: _____

CONTACT: _____



DIMENSIONS



Use of Product
The Fire Rated LED New Construction Downlight Series provides 2 hour fire protection by utilization of non-combustible insulation within the fixture's double wall. This design prevents flames, toxic gases, and ignitable gases to pass through into the ceiling plenum making a great choice for residential, multifamily, and commercial applications.

Features

Watts	Delivered Lumens	Voltage	CRI	Driver Type
10.5 W	800 lm	120V	93+	TRIAC/ELV
12 W	1100 lm	120V	93+	TRIAC/ELV

Watts	Delivered Lumens	Voltage	CRI	Driver Type
10.5 W	800 lm	120-277V	93+	0-10V
12 W	1100 lm	120-277V	93+	0-10V

- 2 Hour fire rating
- Rated for direct contact with insulation.
- Insulation also performs as sound barrier thereby preventing sound between floors
- Voltage: 120V (standard) with Triac/ELV driver. 120-277V (optional) with 0-10V driver.
- Color Temperature: 2700K, 3000K, 3500K or 4000K
- Color Rendering Index: 93+ CRI Typical
- SDCM: 2 Step binning
- R9 Value: 85
- LED Life: 50,000 hours
- LED Type: Cree LED for maximum light output
- Versatility: Interchangeable baffle, reflector, and trim ring in round and square
- Warranty: 5 Year Limited Warranty
- Wet Location Certified

LED Driver
Standard Triac/ELV or optional 0-10V driver provides high power factor with the optimum thermal management to prevent damage caused by high temperature. Driver protections include: output open load, over-current and short circuit, and over temperature with auto recovery.

Emergency Battery
Optional emergency back-up may be ordered separately. Unit operates for 90 minutes with LED modules up to 20 Watts and is Damp location rated, 120/277AC operational, 800 delivered lumens. Ceiling access required with emergency option.

Dimming
Available in two driver selections. Standard driver is Triac/ELV driver (120V). Optional 0-10V driver is 120-277V, "018" provides 800 delivered lumens and "011" provides 1100 delivered lumens.

Module Mechanics
The RFL6 Series is constructed of durable heat sink, baffle or reflector, trim ring, diffused lens and Cree LEDs for optimum performance. Interchangeable round or square baffle, reflector, and trim ring are designed for convenient color selection and replacement in the field. Diffused, lens provides for even light output, glare control, and conceals LEDs from view.

Plaster Frame
Galvanized steel construction. The housing can be removed from plaster frame to provide access to the junction box.

Housing
Die formed 22 gauge galvanized steel construction. Housing interior is comprised of a flexible non-combustible insulation.

Junction Box
- Listed for through branch circuit wiring.
- Contains one 1-1/8", one 1/2", three 7/8" knockouts and four Romex pryouts with strain relief.

Bar Hanger
- Pre-installed real nail easily installs in regular lumber or engineered lumber.
- Bar hangers are adjustable from 13-5/8" to 25" and can be repositioned to 90° on plaster frame.
- Swivel bar hanger bendable at 90° angle for easy installation.

Labels/Compliance
- UL1598
- UL263
- cULUS Listed for feed through
- Certified under ASTM-E283 for air-tight construction
- CSA Classified for wet location
- LM79 and LM80
- Can be used for state of California Title 24 compliance
- JA8 certified
- Energy Star

RHL6F-ICAT & RFL6

ORDERING INFO

RHL6F-ICAT	RFL6					
Series	Module	Lumens	Color Temp.	Dimming	Baffle or Reflector	Trim
RHL6F-ICAT - 6" IC Fire Rated Air-Tight New Construction LED Housing	RFL6	8L - 800 Lumens 11L - 1100 Lumens	27 - 2700K 30 - 3000K 35 - 3500K 40 - 4000K	Leave blank - Triac/ELV 018 - 0-10V Dimming (800 lumens) 011 - 0-10V Dimming (1100 lumens)	ROUND	
					6BLW - White 6BSLN - Satin Nickel 6BLC - Copper 6BLB - Black 6BLBZ - Bronze 6RLW - White 6RLCH - Chrome 6RLSN - Satin Nickel 6RLC - Copper 6RLB - Black 6RLBZ - Bronze 6RLH - Haze 6RLCX - Custom 6TLW - White 6TSLN - Satin Nickel 6TLC - Copper 6TLB - Black 6TLBZ - Bronze 6TLH - Haze 6TLCX - Custom	
					SQUARE	
					6SBLW - White 6SBLB - Black 6SRLW - White 6SRLB - Black 6SRLH - Haze 6SRLSN - Satin Nickel 6SRLCH - Chrome 6SRLBZ - Bronze 6SRLCX - Custom 6STLW - White 6STLB - Black 6STLH - Haze 6STLSN - Satin Nickel 6STLBZ - Bronze 6STLTX - Custom	

1. Ceiling access required.

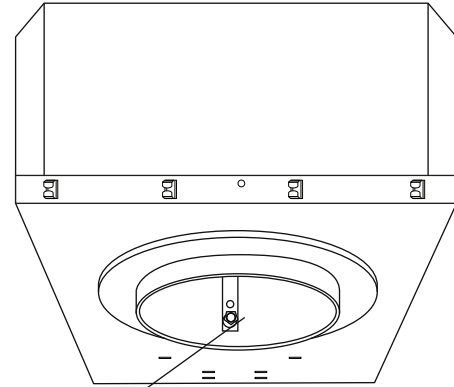
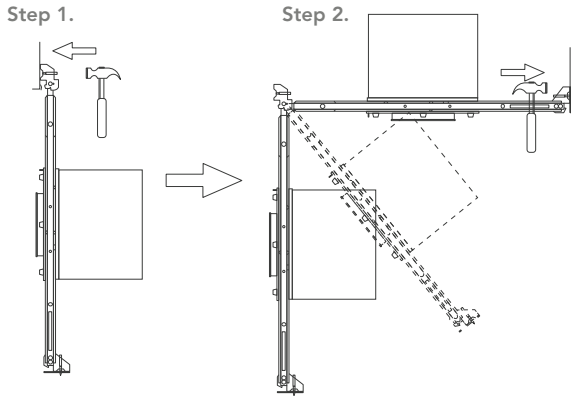
Options

- 347SDT¹ - 347V Step down Transformer
- EM¹ - Emergency Back-up



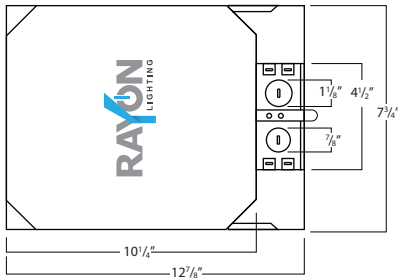
INSTALLATION BY SWIVEL BAR HANGER

CEILING THICKNESS

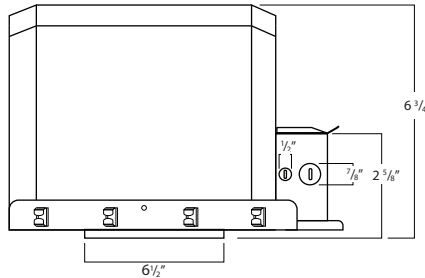


3/8" (standard) - 1-5/8"
 Loosen screw and lower the collar to required ceiling depth

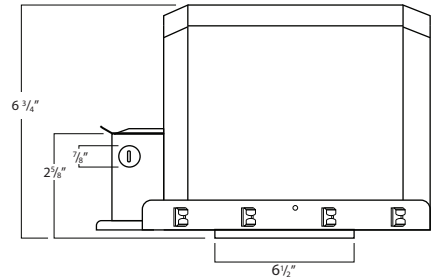
KNOCKOUT DIMENSIONS



Aerial View



Right Side Profile



Left Side Profile

RHL6F-ICAT & RFL6