

# RULB

LED UNDERCABINET WITH COLOR TEMPERATURE SELECTABLE

## JOB INFORMATION

Type: \_\_\_\_\_  
 Catalog No: \_\_\_\_\_  
 Project Name: \_\_\_\_\_  
 Comments: \_\_\_\_\_  
 \_\_\_\_\_  
 Prepared by: \_\_\_\_\_

RULB

## FEATURES

### USE OF PRODUCT

The ideal product for energy efficient lighting for retrofit or new construction applications. It is a great replacement for existing fluorescent, incandescent, halogen, or xenon undercabinet lighting. This product may be used in hospitality, health care, commercial, retail, and residential applications. The RULB series will reduce energy consumption, emits little heat, and reduces cooling loads for added costs.

### RULB FEATURES

- Voltage: 120V
- Color Temperature Selectable: 2700K, 3000K, 3500K
- Color Rendering Index: 90+ CRI
- LED Life: 50,000 hours
- Warranty: 5 Year Limited Warranty
- Finish: White or Black
- No LED pixelation or glare
- Dimmable
- Wide light distribution allows for continuous illumination when linked with end to end connectors

### COLOR TEMPERATURE SELECTABLE

Rayon Lighting's all-in-one CCT Selectable LED undercabinet allows for easy control between 2700K, 3000K or 3500K color temperature with a simple switch.

### LED DRIVER

Integral 120 Volt dimmable driver

### DIMMING

Please refer to dimmer list

### ELECTRICAL CONNECTION

RULB Series may be connected with direct wire or duplex plug. End to end connectors allow fixtures to be linkable.

### INCLUDED ACCESSORIES

Captive Screws, Plastic Washer, Wire Connector, End to End Connector, On/Off Locker Switch, 3/8" Diecast Outlet

### OPTIONAL ACCESSORIES

Power Cord, Linkable Connector with wire (Available in 5 different lengths). Junction Box.

### LABELS / COMPLIANCE

UL/cUL Classified  
 Damp Location Rated  
 Can be used for State of California Title 24 & JA8 compliance.  
 Energy Star

### WATT AND LUMEN CHART

Length	Watts	Lumens
11"	6W	270lm
14"	9W	386lm
22"	11W	548lm
29"	13W	741lm
36"	16W	1130lm
48"	18W	1430lm

## ORDERING INFO



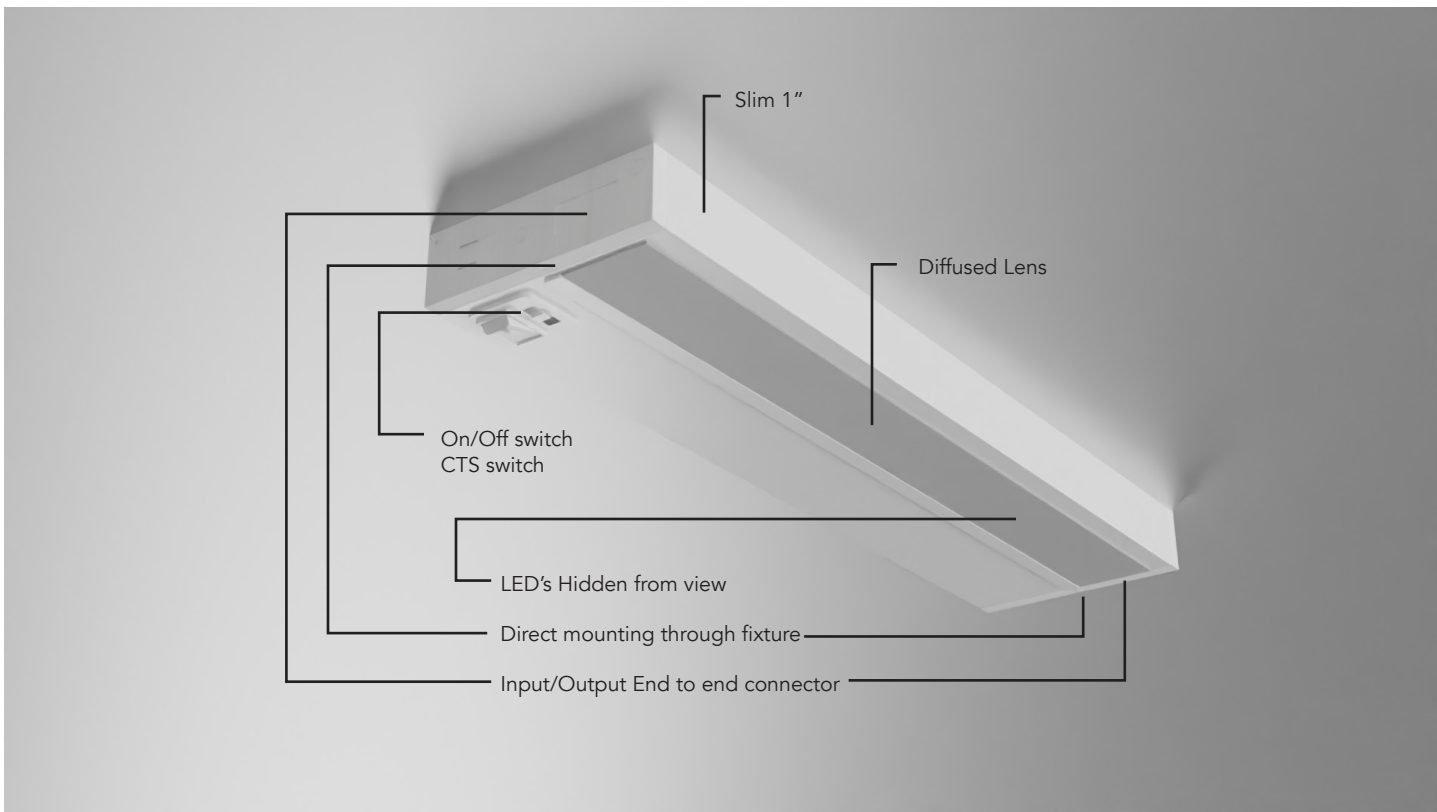
SERIES	Length	Color Temperature	Finish	Options
RULB	11 - 11"	CTS - Color temperature selectable (2700K, 3000K, 3500K)	W - White B - Black	LC24-W - White linkable connector with 24" lead wire
	14 - 14"			LC24-BL - Black linkable connector with 24" lead wire
	22 - 22"			LC12-W - White linkable connector with 12" lead wire
	29 - 29"			LC12-BL - Black linkable connector with 12" lead wire
	36 - 36"			LC4-W - White linkable connector with 4" lead wire
	48 - 48"			LC4-BL - Black linkable connector with 4" lead wire
				LC3-W - White linkable connector with 3" lead wire
				LC3-BL - Black linkable connector with 3" lead wire
				LC2-W - White linkable connector with 2" lead wire
				LC2-BL - Black linkable connector with 2" lead wire
				PC120-W - White power cord
				PC120-BL - Black power cord
				JB-W - White J-Box
				JB-BL - Black J-Box



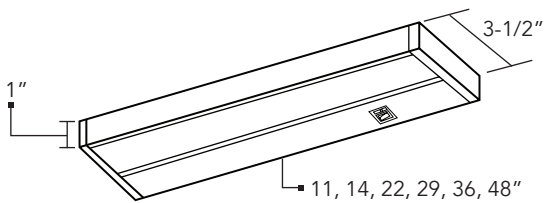
# RULB

LED UNDERCABINET WITH COLOR TEMPERATURE SELECTABLE

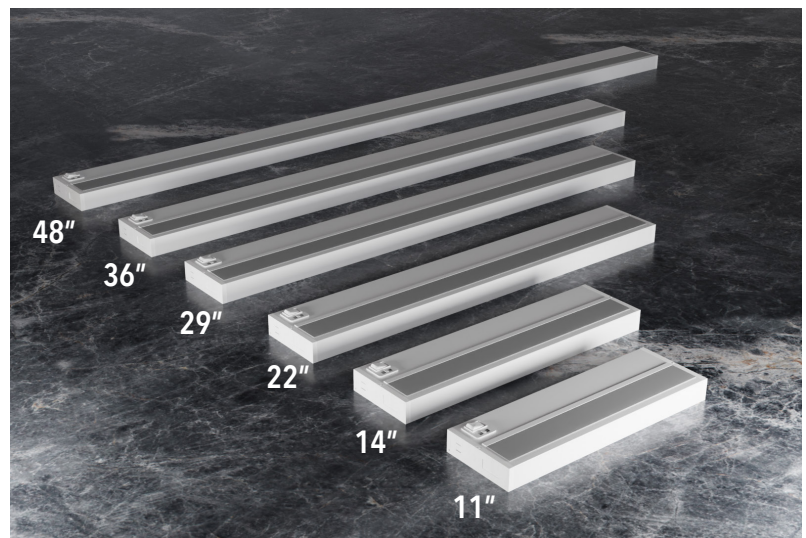
## RULB ANATOMY



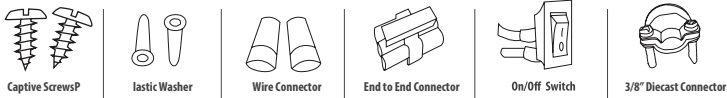
## DIMENSIONS



## LENGTHS



## ACCESSORIES



## RULB OPTIONAL ACCESSORIES

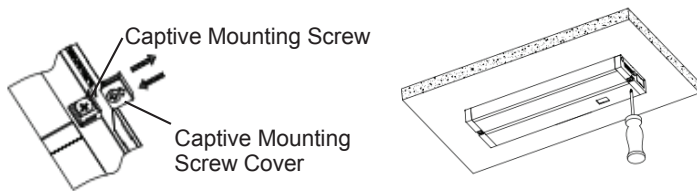


# RULB

LED UNDERCABINET WITH COLOR TEMPERATURE SELECTABLE

## MOUNTING FIXTURE

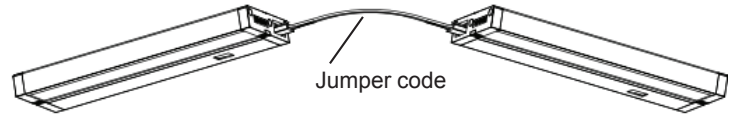
1. Remove Captive Mounting Screw Covers.
2. Place fixture in desired position and drive Mounting Screws securely. In some installations it may be desired to drill a pilot hole for the screws.
3. Replace the Captive Mounting Screw Cover.



## JOINING MULTIPLE FIXTURES

### USING JUMPER CORD

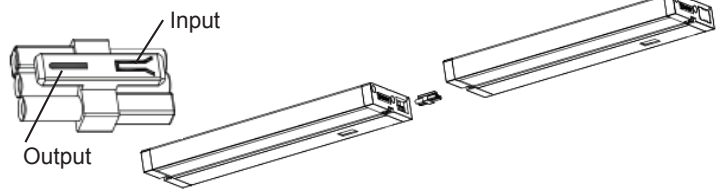
1. Remove Electrical Port Covers.
2. Connect INPUT of Jumper cord to INPUT of electrical port.
3. Connect OUTPUT of Jumper cord to OUTPUT of electrical port.



### USING END-TO-END CONNECTOR

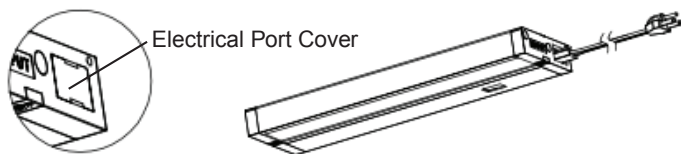
1. Remove Electrical Port Covers.
2. Connect INPUT of End-to-End connector to INPUT of electrical port.
3. Connect OUTPUT of End-to-End connector to OUTPUT of electrical port.

End-to-End connector  
(Provided with each fixture)



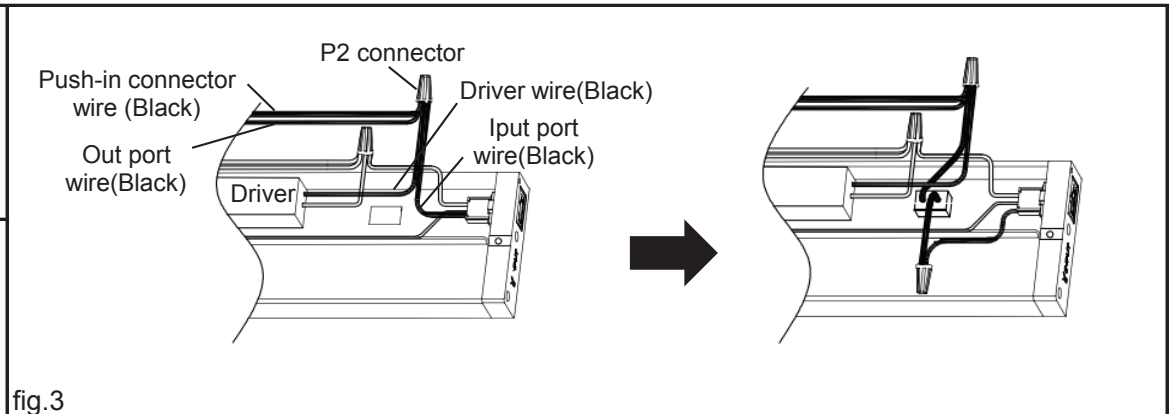
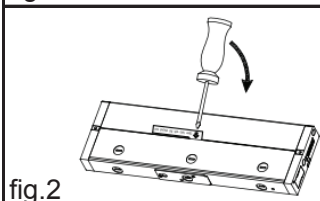
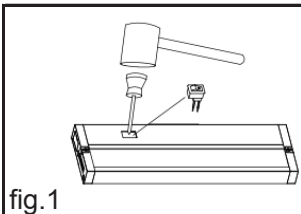
## POWER CODE CONNECTION

Remove the Electrical Port Cover and insert the power cord into INPUT electrical port. (Power cord sold separately.)



## SWITCH CONNECTION

1. Remove knockout in the front of fixture by using a hammer or punch and push a switch into the square hole. (Fig.1)
2. Open a cover in the back using a flat and sharp tool. (Fig.2)
3. Unscrew a P2 connector where 4 black wires are connected. (Fig.3)
4. Use a P2 connector (provided) and connect an INPUT port wire (Black) and a wire from switch. (Fig.3)
5. Use another P2 connector (provided) and connect a wire from Switch and the rest black wires. (Fig.3)
6. Replace the cover.



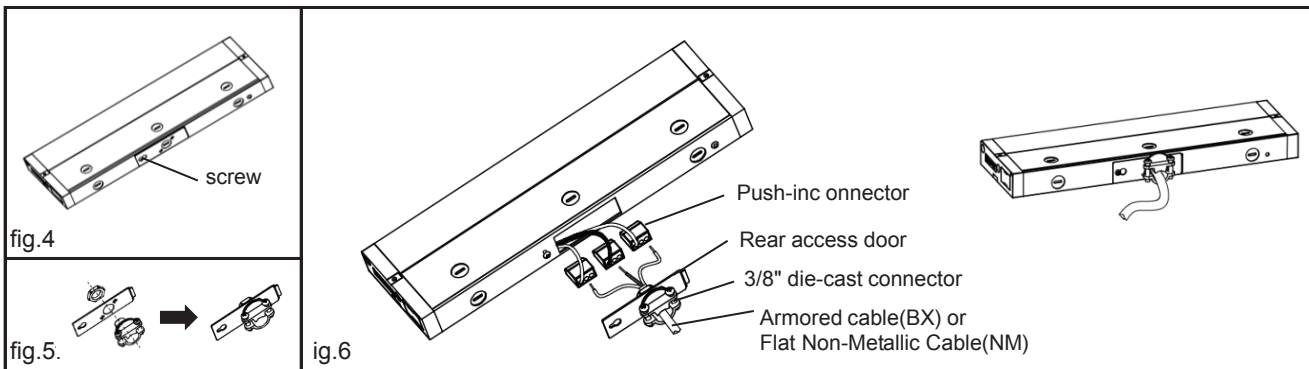
# RULB

LED UNDERCABINET WITH COLOR TEMPERATURE SELECTABLE

## UNDERCABINET INSTRUCTION

### WIRING CONNECTIONS THROUGH A REAR ACCESS DOOR

1. Loosen screw that secures rear access door and remove the door from key hole by just a slide. (Fig.4)
2. Assemble 3/8" die-cast connector into Rear Access Door (Fig.5) and push supply cable through the die-cast connector . (Fig. 6)
3. Inside fixture are three wires with Push-in connectors. Carefully pull these out of fixture. Do not pull with excessive force.
4. Insert each of the three wires from the supply cable into each of the three Push-in connectors with respective color wires. Black to Black, White to White and Green (Earth wire) to green.
5. Neatly push wires and push-in connectors into opening in back of the fixture.
6. Close the Rear Access Door and tighten screw.



### WIRING CONNECTIONS THROUGH A BACK SIDE COVER

1. Open a cover in the back using a flat and sharp tool.
2. Remove knockout and assemble 3/8" die-cast connector.
3. Push supply cable through the die-cast connector and connect wires using Push-in connector.
4. Replace the cover and close up.

## DIMMER LIST

LUTRON	Model No.	Dimming Rate
	CT-603PG	10% - 100%
	CT-600PR-LA	10% - 100%
	CT-6000PR-IV	10% - 100%
	CT-600PR-WH	10% - 100%
	CT-600PR	10% - 100%
	DV603PG	10% - 100%
	DVW-603PGH-WH	10% - 100%
	DVCL-153P	10% - 100%
	MACL-153M	10% - 100%
	TGCL-153P	10% - 100%
	S-600PR-WH	10% - 100%
	S-2-LH	10% - 100%

LEVITON	Model No.	Dimming Rate
	6631	10% - 100%
	6633	10% - 100%
	1A1505	10% - 100%
	1C1605	10% - 100%

COOPER	Model No.	Dimming Rate
	DLV03P	10% - 100%