



T1012LED-PA

SONOMA I

T1012LED-PA

JOB INFORMATION

Type: _____
 Catalog No: _____
 Project Name: _____
 Comments: _____
 Prepared by: _____

FEATURES

USE OF PRODUCT

The intended use of this product is for retail, restaurant, lobby, or any interior commercial space.

HOUSING

Rugged die cast aluminum housing with external heatsink.

FINISH

Matt-finished, architectural powdercoat over a precise chromate conversion coating. Consult factory for custom architectural finishes.

OPTICS

- Prismatic acrylic reflector with no bottom lens, PD lens or FD lens.

LED

High output LEDs offer a minimum estimated operating life of 50,000 hours in 2700K, 3000K, 3500K, 4000K, or 5000K (standard) with CRI>80. LEDs placed on high performance aluminum heatsink for reduced junction temperatures and extended life.

DRIVER

Canopy ceiling remote mount driver. Durable and long lasting LED driver operates at 120-277V and boasts a 90% power factor at 50 to 60 Hz. Driver provides dual dimming: Triac (forward-phase or eading-edge)/ELV (reverse-phase or trailing-edge) and 0-10V Dimming Constant Current. Driver protections includes: Output open load, over-current and short-circuit, and over-temperature with auto recovery.

MOUNTING

Available in Single Cable or Stem mount

EPA

1.102 ft²

ACCESSORIES

Consult Factory.

LISTINGS/COMPLIANCE

- CSA Listed



ORDERING INFO

SERIES	WATT/LUMENS	VOLTAGE	COLOR TEMPERATURE	HOUSING FINISH	REFLECTOR	REFLECTOR FINISH	MOUNTING
T1012LED	10 - 10W/856lm	UNV - 120V-277V	27K - 2700K	GY ¹ - Gray	PA - Prismatic Acrylic	ST - Standard	SC ³ - Single Cable
	20 - 20W/1738lm		30K - 3000K	MTO ² - Made to order			
	30 - 30W/2564lm		35K - 3500K				
			40K - 4000K				
			50K - 5000K				

LENS OPTIONS

- PDL⁵ - Partially diffused outer diameter lens
- FDL - Fully diffused lens
- NL - No lens

OPTIONS

- EM - Emergency battery (Remote mount)

Notes

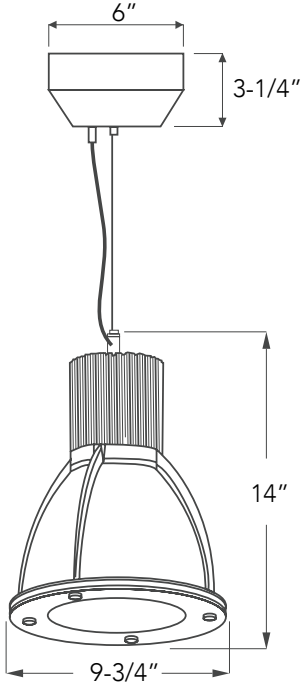
- Standard finish
- RAL number required
- Standard cable length 5ft.
- 18" Standard length, consult factory for other.
- Standard lens



T1012LED-PA

SONOMA I

DIMENSIONS



ASSEMBLY/CABLE INFORMATION

