



# T228LED

SLIM LED WALL SCONCE

## JOB INFORMATION

Type: \_\_\_\_\_  
 Catalog No: \_\_\_\_\_  
 Project Name: \_\_\_\_\_  
 Comments: \_\_\_\_\_  
 \_\_\_\_\_  
 Prepared by: \_\_\_\_\_

T228LED

## FEATURES

### USE OF PRODUCT

The intended use of this product is for wall wash luminaires and/or directional lighting for commercial, retail, or architectural applications.

### HOUSING

Rugged die cast aluminum housing.

### FINISH

Matt-finished, architectural bronze powdercoat over a precise chromate conversion coating. Available in standard dark polyester bronze or consult factory for made to order architectural finishes.

### OPTICS

Anodized aluminum reflector with clear tempered glass lens for impact resistance. Fixture available in either up light, down light, or bi-directional configuration. Lens is sealed by a one-piece silicon gasket, which prohibits entrance of outside contaminants.

### LED

High output LEDs offer a minimum estimated operating life of 50,000 hours in 3000K, 3500K, 4000K, or 5000K (standard) with CRI>83. LEDs placed on high performance aluminum heatsink for reduced junction temperatures and

extended life.

### DRIVER

Durable and long lasting LED driver operates at 120-277V and boasts a 90% power factor at 50 to 60 Hz with 0-10V Dimming Constant Current. Driver protections includes: Output open load, over-current and short-circuit, and over-temperature with auto recovery. -30°C Min Temp. to 40°C Max Temp. Step down transformer may be utilized for 480V or 347V applications.

### MOUNTING

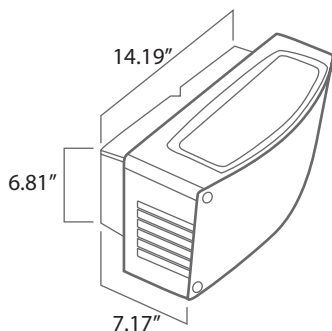
Luminaire mounts direct to wall. Run conduit to the fixture from J-Box

### LISTINGS/COMPLIANCE

- CEC Compliant emergency driver
- CSA - Suitable for wet location.
- Meets Dark Sky Compliance in down light configuration only.



## DIMENSIONS



## LIGHT CONFIGURATON



## ORDERING INFO

NEXT PAGE



# T228LED

## SLIM LED WALL SCONCE

### DOWNLIGHT ORDERING INFO

SERIES	CONFIGURATION	WATT/LUMENS <sup>1</sup>	VOLTAGE	COLOR TEMPERATURE	DISTRIBUTION TYPES	FINISH	OPTIONS
T228LED	DL - Downlight	10 - 10W/1110lm	UNV - 120V-277V	30 - 3000K	T1 - Type I	BZ <sup>4</sup> - Bronze	PC - Photocell 120-277V
		20 - 20W/2220lm	347 <sup>2</sup> - 347V	35 - 3500K	T2 - Type II	MTO <sup>5</sup> - Made to order	MS - Motion sensor (Bi-Level)
		30 - 30W/3330lm	480 <sup>2</sup> - 480V	40 - 4000K	T3 - Type III	MGTO <sup>5</sup> - Marin grade	EM - Emergency Battery
		40 - 40W/4335lm		50 - 5000K	T4 - Type VI	made to order	SP10 - Surge Protection 10KV
		58 - 58W/6762lm			T5 <sup>3</sup> - Type V		

#### Notes

1. Maximum total system wattage shall not exceed 45W.
2. Stepdown transformer included
3. Standard distribution type.
4. Standard finish.
5. RAL number required.

### UPLIGHT ORDERING INFO

SERIES	CONFIGURATION	WATT/LUMENS <sup>1</sup>	VOLTAGE	COLOR TEMPERATURE	DISTRIBUTION TYPES	FINISH	OPTIONS
T228LED	UL - Uplight	10 - 10W/1110lm	UNV - 120V-277V	30 - 3000K	T1 - Type I	BZ <sup>4</sup> - Bronze	PC - Photocell 120-277V
		20 - 20W/2220lm	347 <sup>2</sup> - 347V	35 - 3500K	T2 - Type II	MTO <sup>5</sup> - Made to order	MS - Motion sensor (Bi-Level)
		30 - 30W/3330lm	480 <sup>2</sup> - 480V	40 - 4000K	T3 - Type III	MGTO <sup>5</sup> - Marin grade	EM - Emergency Battery
		40 - 40W/4335lm		50 - 5000K	T4 - Type VI	made to order	SP10 - Surge Protection 10KV
		58 - 58W/6762lm			T5 <sup>3</sup> - Type V		

#### Notes

1. Maximum total system wattage shall not exceed 45W.
2. Stepdown transformer included
3. Standard distribution type.
4. Standard finish.
5. RAL number required.

### BI-DIRECTIONAL ORDERING INFO

SERIES	CONFIGURATION	UP-LIGHT WATT/LUMENS <sup>1</sup>	DOWN-LIGHT WATT/LUMENS <sup>1</sup>	VOLTAGE	COLOR TEMPERATURE	UP-LIGHT DISTRIBUTION TYPES
T228LED	BL - Bi-Directional	10 - 10W/1110lm	10 - 10W/1110lm	UNV - 120V-277V	30 - 3000K	T1 - Type I
		20 - 20W/2220lm	20 - 20W/2220lm	347 <sup>2</sup> - 347V	35 - 3500K	T2 - Type II
		30 - 30W/3330lm	30 - 30W/3330lm	480 <sup>2</sup> - 480V	40 - 4000K	T3 - Type III
		40 - 40W/4335lm	40 - 40W/4335lm	50 - 5000K	50 - 5000K	T4 - Type VI
						T5 - Type V

DOWN-LIGHT DISTRIBUTION TYPES	FINISH	GENERATION	OPTIONS
T1 - Type I	BZ <sup>3</sup> - Bronze	G2 - 2nd Generation	PC - Photocell 120-277V
T2 - Type II	MTO <sup>4</sup> - Made to order		MS - Motion sensor (Bi-Level)
T3 - Type III	MGTO <sup>4</sup> - Marin grade		SP10 - Surge Protection 10KV
T4 - Type VI	made to order		LPL - PIR sensor (low 8' mounting)
T5 - Type V			LPM - PIR sensor (low 20' mounting)
			LPF - Radio module PCB assembly

#### Notes

1. Maximum total system wattage shall not exceed 60
2. Stepdown transformer included
3. Standard finish
4. RAL number required

# T228LED

SLIM LED WALL SCONCE

## INSTALLATION INSTRUCTIONS

Important: Read carefully before installing fixture. Retain for future reference

### GENERAL:

Upon receipt of the fixture, thoroughly inspect for any freight damage which should be brought to the attention of the delivery carrier. Compare the catalog description listed on the packing slip with the fixture label on the housing to assure you have received the correct material.

### SAFETY:

This fixture must be wired in accordance with the National Electrical Code and applicable local codes and ordinances. Proper grounding is required to insure personal safety. Carefully observe grounding procedure under installation section.

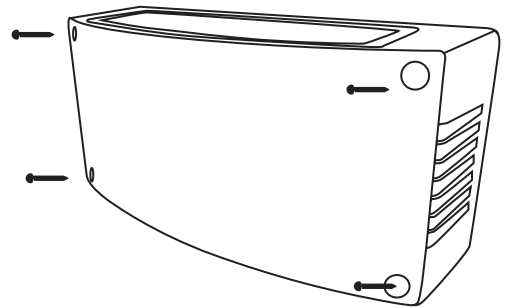
### WARNING:

Make certain power is OFF before starting installation or attempting any maintenance. Risk of fire/electric shock. If not qualified, consult an electrician.

- RISK OF ELECTRIC SHOCK—Disconnect power at fuse or circuit breaker before installing or servicing
- RISK OF BURN—Disconnect power and allow fixture to cool before servicing
- RISK OF PERSONAL INJURY—Fixture may become damaged and/or unstable if not installed properly.
- DO NOT mount luminaire within 6" of a combustible surface.
- DO NOT handle luminaire by the glass.
- DO NOT touch LEDs.

**FAILURE TO FOLLOW INSTRUCTIONS MAY RESULT IN SERIOUS INJURY OR DEATH**

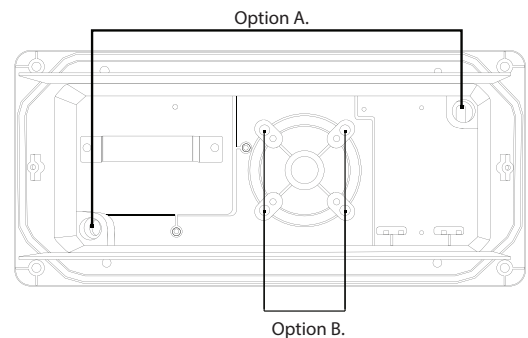
**1. Cover removal.** Remove the four screws holding the cover onto the fixture.



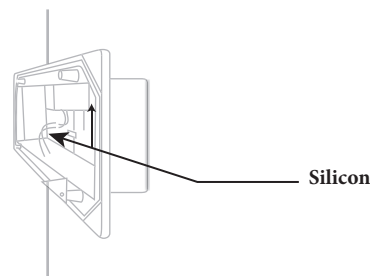
**2. Mounting to wall.** There are two mounting options. Option A (uses the existing holes as shown in illustration). Option B (mount to J-box)

**Option A.** As shown, two corners mounting holes for quick mounting to wall.

**Option B.** J-Box mounting points.



**2A. Option A:** Corner mounting. Place fixture at the desired location. (Secure the fixture to the wall) Once mounted to the wall spread silicon evenly over mounting bolts to protect from contaminations and water)



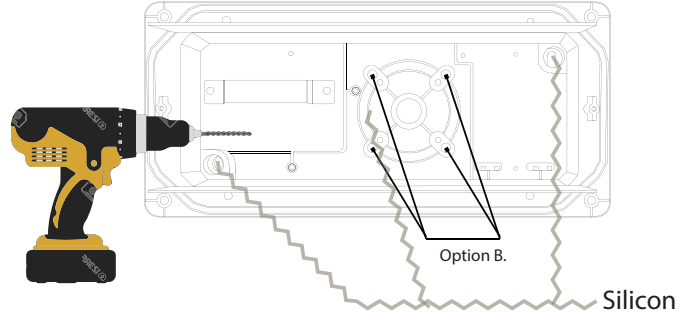
# T228LED

SLIM LED WALL SCONCE

## INSTALLATION INSTRUCTIONS

Important: Read carefully before installing fixture. Retain for future reference

**2B. Option B: J-Box Mounting.** Using a drill bit, remove the knockout and align the fixture to the J-box. Once aligned to the J-Box use screws to secure fixture to wall. spread silicon evenly over mounting bolts and corner holes to protect from contaminations and water)



**3. Cover reinstalling.** Once mounted place the cover over the fixture and align hole, insert screws to secure the cover to fixture.

