



# T1013LED-PA

SONOMA II

T1013LED-PA

## JOB INFORMATION

Type: \_\_\_\_\_  
 Catalog No: \_\_\_\_\_  
 Project Name: \_\_\_\_\_  
 Comments: \_\_\_\_\_  
 Prepared by: \_\_\_\_\_

### FEATURES

#### USE OF PRODUCT

The intended use of this product is for showroom, restaurant, lobby, retail, or any interior commercial space.

#### HOUSING

Rugged die cast aluminum housing and extrusion aluminum.

#### FINISH

Matt-finished, architectural powdercoat over a precise chromate conversion coating. Consult factory for custom architectural finishes.

#### OPTICS

- Available in Prismatic Acrylic.
- Bottom glass lens available upon request.

#### LED

High output LEDs offer a minimum estimated operating life of 50,000 hours in 3000K, 3500K, 4000K, or 5000K (standard) with CRI>83. LEDs placed on high performance aluminum heatsink for reduced junction temperatures and extended life.

#### DRIVER

Durable and long lasting LED driver operates at 120-277V and boasts a 90% power factor at 50 to 60 Hz. Driver provides dual dimming: Triac (forward-phase or leading-edge)/ELV (reverse-phase or trailing-edge) and 0-10V Dimming Constant Current. Driver protections includes: Output open load, over-current and short-circuit, and over-temperature with auto recovery. Step down transformer may be utilized for 480V or 347V applications.

#### MOUNTING

Available in pendant hung, single cable, or double cable.

#### LISTINGS/COMPLIANCE

- CSA

#### ACCESSORIES

Consult Factory.



### ORDERING INFO

SERIES	WATT/LUMENS	VOLTAGE	COLOR TEMPERATURE	HOUSING FINISH	REFLECTOR	REFLECTOR FINISH	MOUNTING
T1013LED	12 - 12W/964lm	UNV - 120V-277V	27K - 2700K	GY <sup>3</sup> - Gray	PA - Prismatic Acrylic	ST - Standard MTO - Made to order	SC <sup>6</sup> - Single Cable
	20 - 20W/1921lm	347 <sup>1</sup> - 347	30K - 3000K	MTO <sup>4</sup> - Made to order			DC - Double Cable
	30 - 30W/2852lm	480 <sup>1</sup> - 480V	35K - 3500K				SM <sup>5</sup> - Stem Mount
	45 - 45W/4158lm		40K - 4000K				
	57 - 57W/5070lm		50K <sup>2</sup> - 5000K				

#### LENS OPTIONS

- PDL<sup>7</sup> - Partially diffused outer diameter lens
- FDL - Fully diffused lens
- NL - No lens

#### OPTIONS

- SDT - Step down transformer
- EM - Emergency battery (Remote mount)

#### Notes

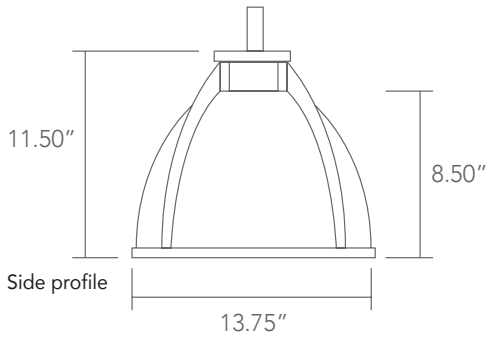
1. Step down transformer required
2. Standard color temperature
3. Standard finish
4. RAL number required
5. 18" Standard length, consult factory for other
6. Standard cable length 5ft
7. Standard Lens



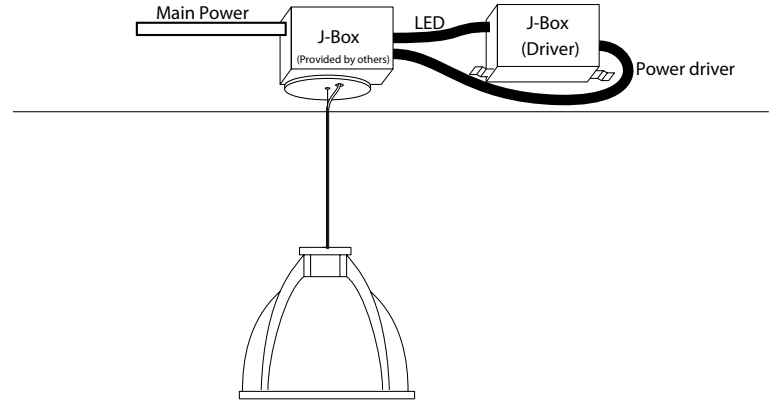
# T1013LED-AL

SONOMA II

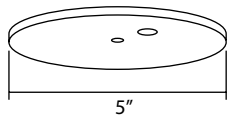
## DIMENSIONS



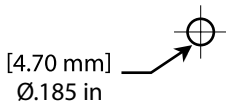
## ILLUSTRATION OF ASSEMBLY



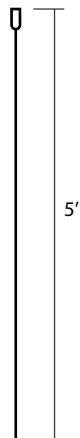
## CABLE HUNG DIMENSION



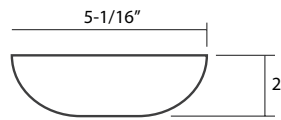
Cable hung canopy



3/64" Galvanized Cable Fuse Cut with Die Cast #1 Stop  
Available in 24", 36", 50", 72", 100", 120", & 150" Lengths  
7x7 Cable - MAX LOAD 270 lbs



## STEM MOUNT DIMENSION



Stem mount canopy

