

UHAM-20012

Hamilton 2 Post Top



2x75w LED
2x8949 Lumens

IP66
Suitable for wet locations

IK07
Impact Resistant [Vandal Resistant]

EPA - 2.81

Weight - 65.5 lbs

POLE NOT INCLUDED



Construction

Aluminum

Less than 0.1% copper content - Marine Grade 6060 extruded & LM6 Aluminum High Pressure die casting provides excellent mechanical strength, clean detailed product lines and excellent heat dissipation.

Pre paint

8 step degrease and phosphate process that includes deoxidizing and etching as well as a zinc and nickel phosphate process before product painting.

Memory Retentive -Silicon Gasket

Provided with special injection molded "fit for purpose" long life high temperature memory retentive silicon gaskets. Maintains the gaskets exact profile and seal over years of use and compression.

Thermal management

LM6 Aluminum is used for its excellent mechanical strength and thermal dissipation properties in low and high ambient temperatures. The superior thermal heat sink design by Ligman used in conjunction with the driver, controls thermal below critical temperature range to ensure maximum luminous flux output, as well as providing long LED service life and ensuring less than 10% lumen depreciation at 50,000 hours.

Surge Suppression

Standard, in series wired 10kv surge suppressor provided with all fixtures.

BUG Rating

B2 - U0 - G0

Finishing

All Ligman products go through an extensive finishing process that includes fettling to improve paint adherence.

Paint

UV Stabilized 4.9Mil thick powder coat paint and baked at 200 Deg C. This process ensures that Ligman products can withstand harsh environments. Rated for use in natoriums.

Hardware

Provided Hardware is Marine grade 316 Stainless steel.

Anti Seize Screw Holes

Tapped holes are infused with a special anti seize compound designed to prevent seizure of threaded connections, due to electrolysis from heat, corrosive atmospheres and moisture.

Crystal Clear Low Iron Glass Lens

Provided with tempered, impact resistant crystal clear low iron glass ensuring no green glass tinge. Lightly frosted lens optional

Optics & LED

Precise optic design provides exceptional light control and precise distribution of light. LED CRI > 80

Lumen - Maintenance Life

L80 /B10 at 50,000 hours (This means that at least 90% of the LED still achieve 80% of their original flux)

Classic urban neighbourhood post-top luminaire family. Timeless lines coupled with unparalleled build quality, flexibility and performance.

A post top luminaire available with single or twin heads, in a straight arm or shepherds crook style. Designed for lighting car parks, footpaths, pedestrian areas, precincts, parks, gardens and building perimeters.

Color temperature 2700K, 3000K, 3500K and 4000K, LED CRI >80.

This luminaire is provided prewired with power cord to the handhole to simplify installation. Marine grade 316 stainless steel fasteners. Durable memory retentive silicone rubber gasket and lens.

To meet International Dark Sky criteria, 3000k or warmer LEDs must be selected.

Additional Options (Consult Factory For Pricing)



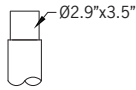
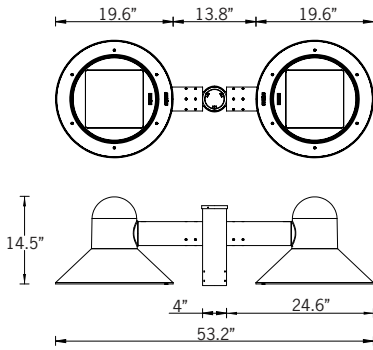
A90991
Zhaga Book 18



A90891
NEMA 7



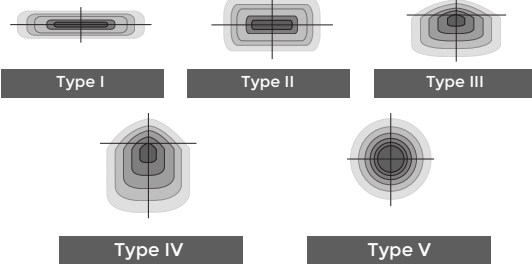
RNG
Decorative Rings



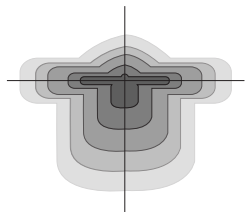
Tenon Detail



Ligman's micro Variable Optical System provides the ability to interchange, mix & rotate optics to provide specific light distributions for optimized spacing and uniformity.



The variable optic system allows for the designer to create hybrid distributions for precise lighting requirements.



HYBRID
TYPE I & TYPE IV



LIGHCONNECT IoT Ready Hamilton

This luminaire is available with NEMA 7 or Zhaga Book 18 sockets for connection to intelligent lighting control systems.

PROJECT		DATE	
----------------	--	-------------	--

QUANTITY		TYPE		NOTE	
-----------------	--	-------------	--	-------------	--

ORDERING EXAMPLE || UHAM - 20012 - 2x75w - T2- W30 - 02 - 120/277v - Options

UHAM-20012	LAMP	BEAM	LED COLOR	FINISH COLOR	VOLTAGE
	2x75w LED 2x8949 Lumens	T1 - Type I Distribution T2 - Type II Distribution T3 - Type III Distribution T4- Type IV Distribution ME - Type ME Distribution M - Medium 30° W - Wide 57° EW - Extra Wide 110°	W27 - 2700K W30 - 3000K W35 - 3500K W40 - 4000K	01 - BLACK RAL 9011 02 - DARK GREY RAL 7043 03 - WHITE RAL 9003 04 - METALLIC SILVER RAL 9006 05 - MATTE SILVER RAL 9006 06 - LIGMAN BRONZE 07 - CUSTOM RAL	120/277v Other - Specify

--	--	--

ADDITIONAL OPTIONS

- | | |
|------------------------|------------------------|
| DIM - 0-10v Dimming | A90891 - NEMA 7 |
| NAT - Natatorium Rated | F - Frosted Lens |
| A90991 - Zhaga Book 18 | RNG - Decorative Rings |

Hamilton Product Family



Hamilton 1

- UHAM-20001-53w-7027lm
- UHAM-20002-75w-9862lm



Hamilton 2

- UHAM-20011-2x53w-2x7027lm
- UHAM-20012-2x75w-2x9862lm



Hamilton 3

- UHAM-20021-53w-7027lm
- UHAM-20022-75w-9862lm



Hamilton 4

- UHAM-20031-2x53w-2x7027lm
- UHAM-20032-2x75w-2x9862lm



Hamilton 5

- UHAM-30001-53w-7027lm
- UHAM-30002-75w-9862lm



Hamilton 6

- UHAM-30011-53w-7027lm
- UHAM-30012-75w-9862lm