

LTC-3RDW SpectraSync

LITEISTRY 3" ROUND CYLINDER WITH COLOR TUNING

LITEISTRY™

FEATURES

- 3" architectural LED downlight and wall wash cylinder delivering 600 - 1000 lm
- 4 beam distributions from 0.4 to 1:1 Spacing Criteria
- Quiet reflector appearance with 50° optical cutoff
- SpectraSync™ Color Tuning technology allows the flexibility to tailor CCT to aesthetic preferences
- Available in Dim To Warm (2200K-3000K) or Tunable White (2700K-5000K or 2700K-6500K), 90+ CRI
- Available in Surface, Wall, Pendant, or Cord Mount configurations
- Standard with 0-10V dimming to 5%



(Select Models)

RELATED PRODUCTS

Ø 3" LITEISTRY Family

Ø 4" LITEISTRY Family

Ø 6" LITEISTRY Family

CONTROL TECHNOLOGY



SPECIFICATIONS

CONSTRUCTION

- Seamless heavy gauge aluminum cylinder body with a clean appearance
- Select from 4 durable powder coat paint architectural finishes or Brushed Aluminum
- Available in Surface, Wall, Pendant, or Cable/Cord mounting options
- Wall Mount: One piece die cast aluminum mounting arm
- Wall Mount driver is integral in cylinder
- For S, CM, P: Drivers are remote mounted above ceiling (see line art)
- Pendant Mount: Swivel canopy allows sloped ceiling mounting up to 45°
- Integral driver versions allow direct mounting to a standard 4" octagonal or square junction box

OPTICS

- Visually pleasing 50° cutoff to source and source image
- The light distribution is free of distracting bright spots or pixelation and the perimeter has a smooth transition
- Optical grade silicone lens integral to light engine
- High purity spun aluminum reflector, self-flanged
- Large selection of anodized finishes and colors
- Painted cones and flange options available

ELECTRICAL

- LED array with 3 SDCM color consistency
- Dim to Warm (2200K-3000K) or Tunable White (2700K-5000K or 2700K-6500K) options available
- 90+ CRI standard
- Long LED life: L70 at >60,000 hrs (TM-21)
- Universal voltage 120V–277V driver
- UL Class 2, inherent short circuit and overload protection, RoHS compliant
- Flicker free 0–10V dimming to 5%

INSTALLATION

- Light Engine/Trim assembly is mechanically secured and includes a retention cable for ease of installation
- A quick connect is provided for easy maintenance or upgrade
- Remote mount driver/jbox assembly requires 6" plenum clearance
- Remote driver is accessible from above or below the ceiling

CERTIFICATIONS

- cCSAus certified to UL 1598
- Wall Mount: Suitable for wet locations
- Pendant Mount: Suitable for wet locations under covered ceiling
- Surface, Cord Mount and all Wall Wash: Suitable for damp locations
- This product qualifies as a "designated country construction material" per FAR 52.225-11 Buy American-Construction. Materials under Trade Agreements effective 6/6/2020. See [Buy American Solutions](#).

WARRANTY

- 5 year warranty
- See [HLI Standard Warranty](#) for additional information

KEY DATA	
Lumen Range	600-1000
Wattage Range	10-18
Efficacy Range (LPW)	52-59*
Reported Life (Hours)	L70 / >60,000
Input Current (mA)	83-150 (120V)

*Based on Specular, 30K, 90 CRI



LTC-3RDW SpectraSync

LITEISTRY 3" ROUND CYLINDER WITH COLOR TUNING

DATE: _____ LOCATION: _____

TYPE: _____ PROJECT: _____

CATALOG #: _____

ORDERING GUIDE

Example: LTC-3RD-P-15L2230TD9WD-DMTW-SS-WH

CATALOG #

LTC-3RD		Cylinder Mounting		Lumen Output		CCT		CRI		Distribution	
Aperture/Shape/Function											
LTC-3RD	3" Round Downlight Cylinder	S	Surface	06L	600 Lumens	2230TD	2200K-3000K	9	90+ CRI	NR	Narrow (0.4 SC/29°)
LTC-3RW	3" Round Wall Wash Cylinder	W	Wall	10L	1000 Lumens		SpectraSync™ Dim to Warm			MD	Medium (0.7 SC/53°)
		P	Pendant (18" Stem Standard)			2750T	2700K-5000K SpectraSync™ Tunable White			WD	Wide (1.0 SC/59°)
		CM	Cable/Cord (6 ft. Cord Standard) ⁵			2765T	2700K-6500K SpectraSync™ Tunable White			XW	Extra Wide (1.1 SC/66°)
										WW	Wall Wash

Driver Options		Voltage		Reflector Finish		Reflector Color		Flange Color Options		Exterior Cylinder Color	
DMTW	SpectraSync™ Dim to Warm, 0-10V Dimming to 5% ^{1,3}	<i>Standard</i> 120-277V		<i>Finish not applicable with painted reflectors (WC or BC)</i>		<i>Standard Clear</i>		<i>Standard matches reflector color</i>		BA	Brushed Aluminum
DMT	SpectraSync™ Tunable White, 0-10V Dimming to 5% ^{2,3}			S	Specular	CG	Champagne Gold	WT	White Flange ⁴	BZ	Bronze
				SS	Semi-Specular	BL	Black	BT	Black Flange ⁴	BL	Matte Black
				MFC	American Matte™	LW	Light Wheat			WH	Matte White
				VS	Softglow®	PW	Pewter			SVR	Silver
				VSS	SoftSheen™	WC	Painted White Cone and Flange				
						BC	Painted Black Cone and Flange				

Notes:

- 1 Must select 2230TD with DMTW driver.
- 2 Must select either 2750T or 2765T with DMT driver.
- 3 For lumen outputs/configurations available, see chart on page 3.
- 4 WT not needed for WC, BT not needed for BC.
- 5 CM standard cord color is Clear.

LTC-3RDW SpectraSync

LITEISTRY 3" ROUND CYLINDER WITH COLOR TUNING

DRIVER/CONTROL OPTION AVAILABILITY

Driver and Control options listed below are available in the configurations and lumen packages as shown.

Driver/Control Option		Cylinder Mounting ¹	Integral Remote Driver ²	06L	10L
DMT	0-10V 5%	W	Integral	●	●
		S/P/CM	Remote (IC Rated)	●	●
DMTW	0-10V 5%	W	Integral	●	●
		S/P/CM	Remote (Non-IC)	●	●

- See Cylinder Mounting chart for details.
- See line art for more details.

Cylinder Mounting	
W	Wall Mount
S	Surface Mount
CM	Cable/Cord Mount
P	Pendant Mount

CONTROLS

SpectraSync™ Color Tuning Technology:

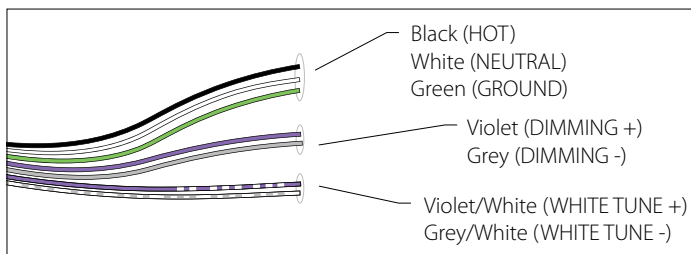
Control your space based on the needs of the application, specific activities throughout the day and preferences of the occupants with distinct SpectraSync™ Color Tuning Technologies.



SPECTRASYNCH COLOR TUNING TECHNOLOGY		
Mode	Kelvin Range	Description
Dim to Warm	2200K-3000K	Mimics the familiar warming effect that occurs with traditional incandescent sources as they are dimmed
Tunable White	2700K-5000K 2700K-6500K	Offers users the ability to tailor CCT to their personal preference, enhancing task visibility, material and colors or the aesthetics of the space
Scheduled White	2700K-5000K 2700K-6500K	Mimics the rhythm of natural light or follows an alternative user-defined schedule throughout the day, enhancing an occupant's mood and well-being

SpectraSync Tunable White

Available in two options: 2750T (2700K–5000K) or 2765T (2700K–6500K). Requires two 0–10V controllers, one for intensity and one for CCT. Minimum 5% dimming.

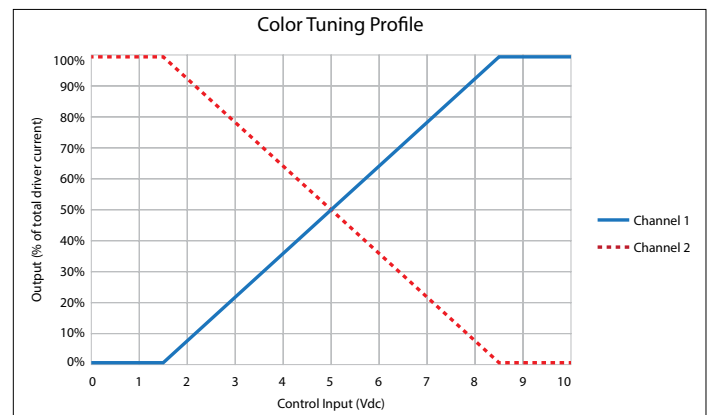


SpectraSync Tunable White luminaires are provided with two 0–10V circuits. The violet and grey circuit is for wiring to any qualified 0–10V controller for dimming. The violet/white and grey/white circuit is for wiring to any qualified 0–10V controller for Tunable White CCT control.

Controller Manufacturer Data

SpectraSync Tunable White was designed to be used with sinking style dimmers (provided by others) and is compatible with:

- Hubbell Control Solutions (HCS): NX Distributed Intelligence™ Room Controllers (NXRC) and In-fixture Controllers (NXFM)
- Lutron: DDTV, DVSTV, and NDTV dimmers
- Wattstopper: ADF120277 and CD4BL (Titan) dimmers



To enable scheduling and for use with NX wall control preset stations please refer to Hubbell Control Solutions NX SpectraSync technical sheet.

LTC-3RDW SpectraSync

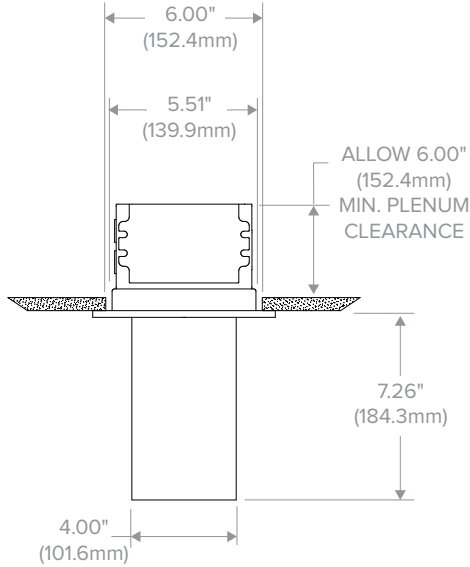
LITEISTRY 3" ROUND CYLINDER WITH COLOR TUNING

DIMENSIONS

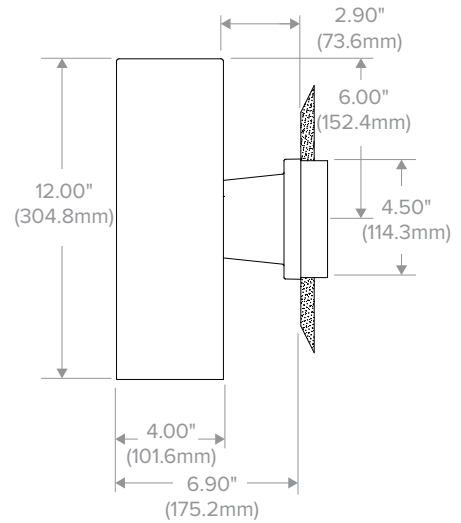
DATE: _____ LOCATION: _____

TYPE: _____ PROJECT: _____

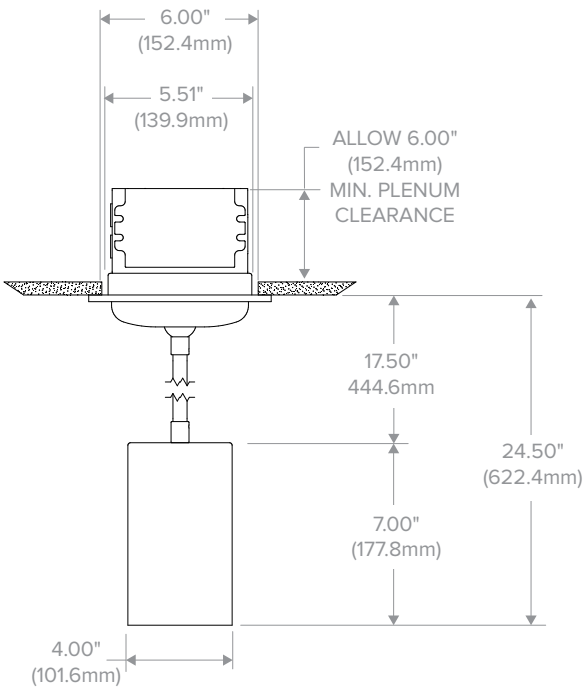
CATALOG #: _____



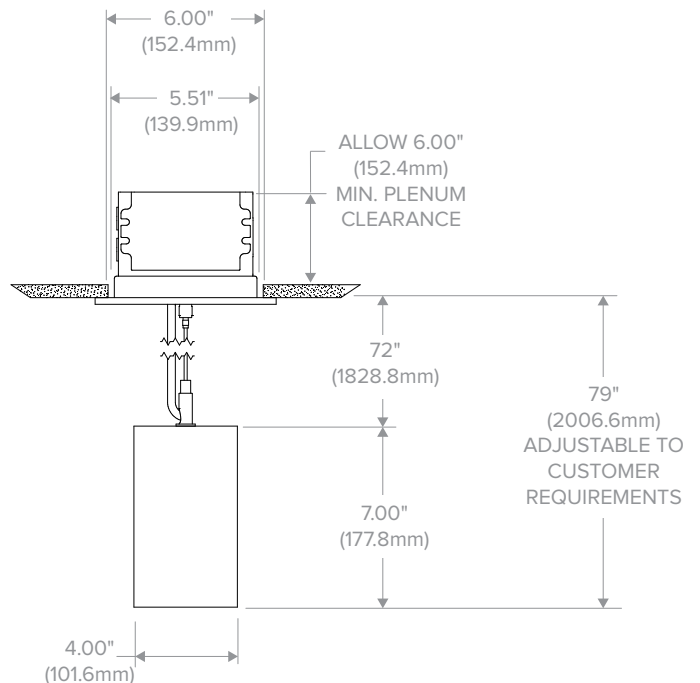
Surface



Wall



Pendant



Cord

LTC-3RDW SpectraSync

LITEISTRY 3" ROUND CYLINDER WITH COLOR TUNING

PHOTOMETRY

LTC-3RD-P-10L2765T9NR-DMT-S-BL

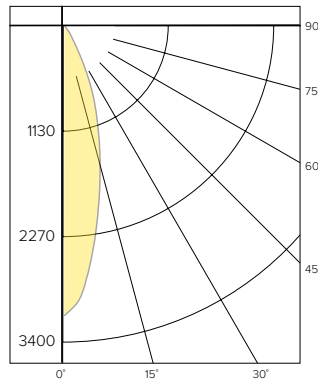
LUMINAIRE DATA

Test No.	R19.01976-01
Description	1000 lm, Narrow, 3000K, 90 CRI
Delivered Lumens	1088
Watts	18.0W
Efficacy	60.0
Mounting	Pendant
Spacing Criterion	0.5
Beam Angle FWHM	29

ZONAL LUMEN SUMMARY

Zone	Lumens	% Luminaire
0-40	1070	98.4
0-60	1087	99.9
0-90	1088	100.0
0-180	1088	100.0

POLAR GRAPH



CANDELA DISTRIBUTION

Degree	Candela
0	3023
5	2749
15	1567
25	680
35	118
45	16
55	2
65	1
75	0
85	0
90	0

LUMINANCE DATA*

Vertical Angle	Average
45°	5277
55°	651
65°	442
75°	0
85°	0

*Candela/Square Meter

LTC-3RD-P-10L2765T9MD-DMT-S-BL

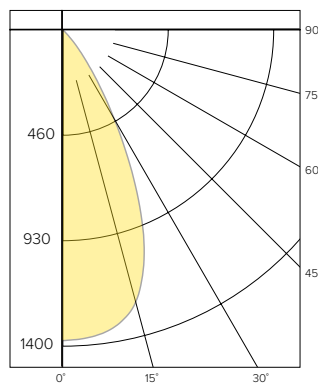
LUMINAIRE DATA

Test No.	R19.01975-01
Description	1000 lm, Medium, 3000K, 90 CRI
Delivered Lumens	998
Watts	18.0W
Efficacy	55.0
Mounting	Pendant
Spacing Criterion	0.8
Beam Angle FWHM	53

ZONAL LUMEN SUMMARY

Zone	Lumens	% Luminaire
0-40	971	97.3
0-60	997	99.9
0-90	998	100.0
0-180	998	100.0

POLAR GRAPH



CANDELA DISTRIBUTION

Degree	Candela
0	1377
5	1368
15	1252
25	765
35	232
45	24
55	2
65	1
75	0
85	0
90	0

LUMINANCE DATA*

Vertical Angle	Average
45°	7916
55°	651
65°	442
75°	0
85°	0

*Candela/Square Meter

LTC-3RD-P-10L2765T9WD-DMT-S-BL

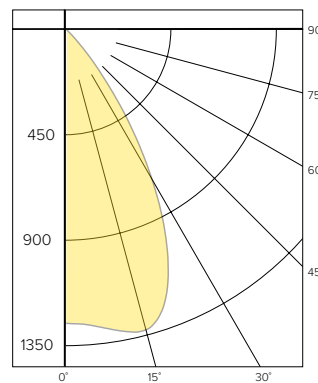
LUMINAIRE DATA

Test No.	R19.01974-01
Description	1000 lm, Wide, 3000K, 90 CRI
Delivered Lumens	970
Watts	18.0W
Efficacy	54.0
Mounting	Pendant
Spacing Criterion	0.9
Beam Angle FWHM	59

ZONAL LUMEN SUMMARY

Zone	Lumens	% Luminaire
0-40	933	96.3
0-60	969	99.9
0-90	970	100.0
0-180	970	100.0

POLAR GRAPH



CANDELA DISTRIBUTION

Degree	Candela
0	996
5	1005
15	1024
25	782
35	319
45	31
55	2
65	1
75	0
85	0
90	0

LUMINANCE DATA*

Vertical Angle	Average
45°	10291
55°	976
65°	442
75°	0
85°	0

*Candela/Square Meter

LTC-3RDW SpectraSync

LITEISTRY 3" ROUND CYLINDER WITH COLOR TUNING

PHOTOMETRY CONTINUED

LTC-3RD-P-10L2765T9XW-DMT-S-BL

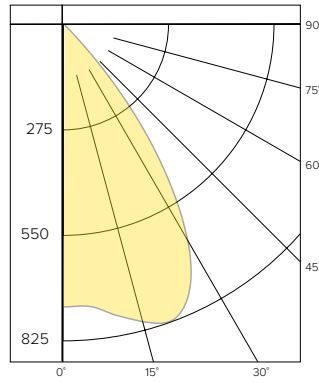
LUMINAIRE DATA

Test No.	R19.01973-01
Description	1000 lm, Extra Wide, 3000K, 90 CRI
Delivered Lumens	963
Watts	18.0W
Efficacy	53.0
Mounting	Pendant
Spacing Criterion	1.2
Beam Angle FWHM	66

ZONAL LUMEN SUMMARY

Zone	Lumens	% Luminaire
0-40	914	94.9
0-60	962	99.9
0-90	963	100.0
0-180	963	100.0

POLAR GRAPH



CANDELA DISTRIBUTION

Degree	Candela
0	766
5	768
15	813
25	768
35	433
45	34
55	2
65	1
75	0
85	0
90	0

LUMINANCE DATA*

Vertical Angle	Average
45°	11346
55°	976
65°	442
75°	0
85°	0

*Candela/Square Meter

LTC-3RDW SpectraSync

LITEISTRY 3" ROUND CYLINDER WITH COLOR TUNING

DATE: _____ LOCATION: _____

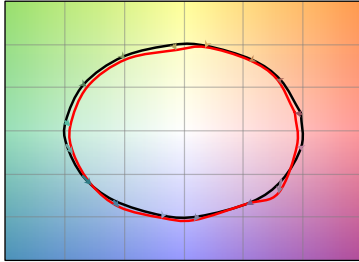
TYPE: _____ PROJECT: _____

CATALOG #: _____

TM-30 DATA

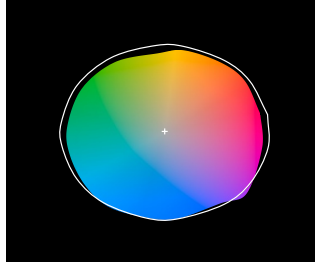
SPECTRASYNC™ TUNABLE WHITE (2765T)

COLOR VECTOR GRAPHIC
2700K, 90+ CRI

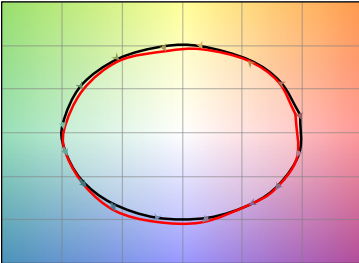


— Reference Illuminant — Test Source

COLOR DISTORTION GRAPHIC
2700K, 90+ CRI

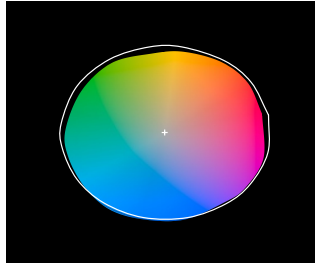


COLOR VECTOR GRAPHIC
4600K, 90+ CRI

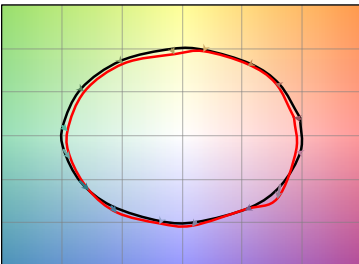


— Reference Illuminant — Test Source

COLOR DISTORTION GRAPHIC
4600K, 90+ CRI



COLOR VECTOR GRAPHIC
6500K, 90+ CRI



— Reference Illuminant — Test Source

COLOR DISTORTION GRAPHIC
6500K, 90+ CRI



TEST RESULTS - TUNABLE WHITE @ 1000 LUMENS (NOMINAL)			
Value	2700K	4600K	6500K
Luminous Flux (lm)	846	941	982
Wattage (W)	17.0	16.8	16.9
Efficacy (lm/W)	50	56	58
R _f	88	89	88
R _g	97	98	97
CCT (K)	2809	4597	6326
D _{uv}	-0.0018	-0.0052	0.0017
x	0.4481	0.3558	0.3163
y	0.4035	0.3502	0.33
CIE R _a	91	95	94
CIE R _g	48	83	73

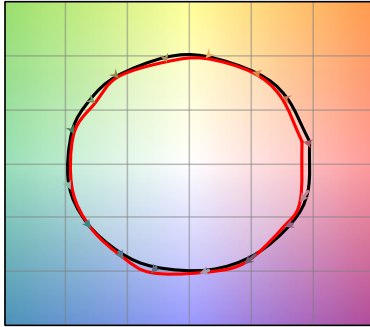
LTC-3RDW SpectraSync

LITEISTRY 3" ROUND CYLINDER WITH COLOR TUNING

TM-30 DATA CONTINUED

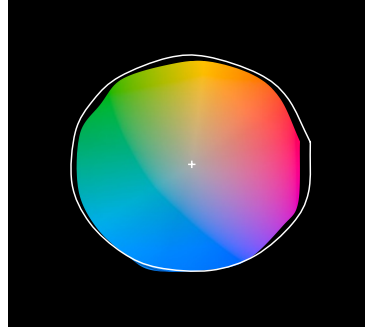
SPECTRASYNCTM DIM TO WARM (2230TD)

COLOR VECTOR GRAPHIC
3000K, 90+ CRI @ 100%

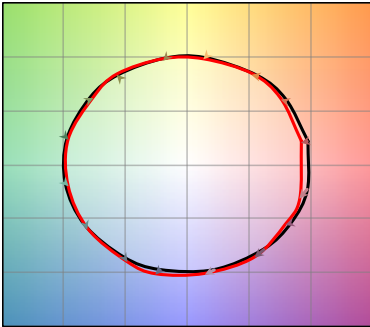


— Reference Illuminant — Test Source

COLOR DISTORTION GRAPHIC
3000K, 90+ CRI @ 100%



COLOR VECTOR GRAPHIC
2600K, 90 CRI @ 50% DIM

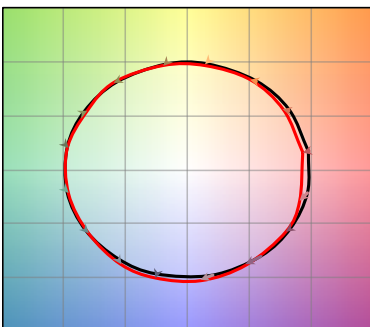


— Reference Illuminant — Test Source

COLOR DISTORTION GRAPHIC
2600K, 90 CRI @ 50% DIM

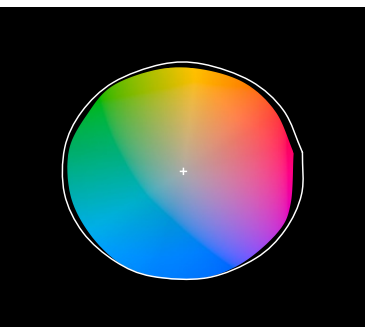


COLOR VECTOR GRAPHIC
2200K, 90 CRI @ 5% DIM



— Reference Illuminant — Test Source

COLOR DISTORTION GRAPHIC
2200K, 90 CRI @ 5% DIM



TEST RESULTS - DIM TO WARM @ 3 DIMMING LEVELS			
Value	100%	50% Dim	5% Dim
Luminous Flux (lm)	945	507	34
Wattage (W)	16.94	9.69	2.43
Efficacy (lm/W)	56	52	14
R _t	90	92	92
R _g	97	99	98
CCT (K)	3136	2650	2204
D _{uv}	-0.0016	-0.0016	-0.0005
x	0.4254	0.461	0.5063
y	0.3965	0.4069	0.4168
CIE R _a	92	93	92
CIE R _g	52	60	57



LTC-3RDW SpectraSync

LITEISTRY 3" ROUND CYLINDER WITH COLOR TUNING

DATE: _____ LOCATION: _____

TYPE: _____ PROJECT: _____

CATALOG #: _____

ELECTRICAL DATA

DRIVER DATA	
Input Voltage	120-277 V
Input Frequency	50/60 Hz
Power Factor	≥0.90
THD	<20%
EMI Filtering (FCC 47 CFR Part 15)	Class A

WATTAGE DATA		
Lumen Output	Nominal Lumens	WATTAGE
06L	600	10
10L	1000	18

* Wattage may vary based on configuration and options selected

ADDITIONAL INFORMATION

Central Inverters

For full fixture output in back-up mode, we recommend you visit www.dual-lite.com for your Central Lighting Inverter options. Please contact your local Hubbell representative for any assistance with proper sizing and loading of your inverter selection. Central lighting inverters must be ordered separately.

LiteGear: www.dual-lite.com/products/litegear_lg_series

LPS Series: www.dual-lite.com/products/lps