

# LTC-4RDW SpectraSync

LITEISTRY 4" ROUND CYLINDER WITH COLOR TUNING

LITEISTRY™

## FEATURES

- 4" architectural LED downlight and wall wash cylinder delivering 600–1500 lm
- 4 beam distributions from 0.4 to 1.2 Spacing Criteria
- Quiet reflector appearance with 50° optical cutoff
- SpectraSync™ Color Tuning technology allows the flexibility to tailor CCT to aesthetic preferences
- Available in Dim To Warm (2200K-3000K) or Tunable White (2700K-5000K or 2700K-6500K), 90+ CRI
- Available in Surface, Wall, Pendant, or Cord Mount configurations
- Standard with 0-10V dimming to 5%



(Select Models)

## RELATED PRODUCTS

Ø 3" LITEISTRY Family

Ø 4" LITEISTRY Family

Ø 6" LITEISTRY Family

## CONTROL TECHNOLOGY



## SPECIFICATIONS

### CONSTRUCTION

- Seamless heavy gauge aluminum cylinder body with a clean appearance
- Select from 4 durable powder coat paint architectural finishes or Brushed Aluminum
- Available in Surface, Wall, Pendant, or Cable/Cord mounting options
- Wall Mount: One piece die cast aluminum mounting arm
- Pendant Mount: Swivel canopy allows sloped ceiling mounting up to 45 degrees
- Integral driver versions allow direct mounting to a standard 4" octagonal or square junction box

### OPTICS

- Visually pleasing 50° cutoff to source and source image
- The light distribution is free of distracting bright spots or pixelation and the perimeter has a smooth transition
- Optical grade silicone lens integral to light engine
- High purity spun aluminum reflector, self-flanged
- Large selection of anodized finishes and colors
- Painted cones and flange options available

### ELECTRICAL

- LED array with 3 SDCM color consistency
- Dim to Warm (2200K-3000K) or Tunable White (2700K-5000K or 2700K-6500K) options available
- 90+ CRI standard
- Long LED life: L90 at 55,000 (TM-21)
- Universal voltage 120V–277V driver
- UL Class 2, inherent short circuit and overload protection, RoHS compliant
- Flicker free 0-10V dimming to 5%

### INSTALLATION

- Light Engine/Trim assembly is mechanically secured with torsion springs for ease of installation
- A quick connect is provided for easy maintenance or upgrade

### CERTIFICATIONS

- cCSAus certified to UL 1598
- Wall Mount up to 10L: Suitable for wet locations
- Pendant Mount up to 10L: Suitable for wet locations under covered ceiling
- Surface, Cord Mount, all Wall Wash, and all 15L: Suitable for damp locations
- This product qualifies as a “designated country construction material” per FAR 52.225-11 Buy American-Construction. Materials under Trade Agreements effective 6/6/2020. See [Buy American Solutions](#).

### WARRANTY

- 5 year warranty
- See [HLI Standard Warranty](#) for additional information

KEY DATA	
Lumen Range	600-1500
Wattage Range	10-25
Efficacy Range (LPW)	49-60*
Reported Life (Hours)	L70 / >60,000
Input Current (mA)	83-208 (120V)

\*Based on Specular, 30K, 90 CRI



# LTC-4RDW SpectraSync

LITEISTRY 4" ROUND CYLINDER WITH COLOR TUNING

DATE: \_\_\_\_\_ LOCATION: \_\_\_\_\_

TYPE: \_\_\_\_\_ PROJECT: \_\_\_\_\_

CATALOG #: \_\_\_\_\_

## ORDERING GUIDE

**Example:** LTC-4RD-P-15L2230TD9WD-DMTW-SS-WH

CATALOG #

LTC-4RD		Cylinder Mounting		Lumen Output		CCT		CRI		Distribution	
Aperture/Shape/Function											
<b>LTC-4RD</b>	4" Round Downlight Cylinder	<b>S</b>	Surface	<b>06L</b>	600 Lumens	<b>2230TD</b>	2200K-3000K SpectraSync™ Dim to Warm	<b>9</b>	90+ CRI	<b>NR</b>	Narrow (0.4 SC/29°)
<b>LTC-4RW</b>	4" Round Wall Wash Cylinder	<b>W</b>	Wall	<b>10L</b>	1000 Lumens	<b>2750T</b>	2700K-5000K SpectraSync™ Tunable White			<b>MD</b>	Medium (0.7 SC/44°)
		<b>P</b>	Pendant (18" Stem Standard)	<b>15L</b>	1500 Lumens <sup>6</sup>	<b>2765T</b>	2700K-6500K SpectraSync™ Tunable White			<b>WD</b>	Wide (0.9 SC/61°)
		<b>CM</b>	Cable/Cord (6 ft. Cord Standard) <sup>5</sup>							<b>XW</b>	Extra Wide (1.2 SC/78°)
										<b>WW</b>	Wall Wash

Driver Options		Voltage		Reflector Finish		Reflector Color		Flange Color Options		Exterior Cylinder Color	
<b>DMTW</b>	SpectraSync™ Dim to Warm, 0-10V Dimming to 5% <sup>1,3</sup>	<i>Standard</i> 120-277V		<i>Finish not applicable with painted reflectors (WC or BC)</i>		<i>Standard Clear</i>		<i>Standard matches reflector color</i>		<b>BA</b>	Brushed Aluminum
<b>DMT</b>	SpectraSync™ Tunable White, 0-10V Dimming to 5% <sup>2,3</sup>			<b>S</b>	Specular	<b>CG</b>	Champagne Gold	<b>WT</b>	White Flange <sup>4</sup>	<b>BZ</b>	Bronze
				<b>SS</b>	Semi-Specular	<b>BL</b>	Black	<b>BT</b>	Black Flange <sup>4</sup>	<b>BL</b>	Matte Black
				<b>MFC</b>	American Matte™	<b>LW</b>	Light Wheat			<b>WH</b>	Matte White
				<b>VS</b>	Softglow®	<b>PW</b>	Pewter			<b>SVR</b>	Silver
				<b>VSS</b>	SoftSheen™	<b>WC</b>	Painted White Cone and Flange				
						<b>BC</b>	Painted Black Cone and Flange				

Notes:

- 1 Must select 2230TD with DMTW driver.
- 2 Must select either 2750T or 2765T with DMT driver.
- 3 For lumen outputs/configurations available, see chart on page 3.
- 4 WT not needed for WC, BT not needed for BC.
- 5 CM standard cord color is Clear.
- 6 15L requires vented cylinder.

# LTC-4RDW SpectraSync

LITEISTRY 4" ROUND CYLINDER WITH COLOR TUNING

## DRIVER/CONTROL OPTION AVAILABILITY

Driver and Control options listed below are available in the configurations and lumen packages as shown.

Driver/Control Option		Cylinder Mounting <sup>1</sup>	Integral Remote Driver <sup>2</sup>	O6L	10L	15L
DMT	0-10V 5%	W	Integral	●	●	▼
		S/P/CM	Integral	●	●	▼
DMTW	0-10V 5%	W	Integral	●	●	▼
		S/P/CM	Integral	●	●	▼

▼ Vented cylinder required, see line art for more details.

1 See Cylinder Mounting chart for details.

2 See line art for more details.

3 Not available with Controls.

Cylinder Mounting	
W	Wall Mount
S	Surface Mount
CM	Cable/Cord Mount
P	Pendant Mount

## CONTROLS

### SpectraSync™ Color Tuning Technology:

Control your space based on the needs of the application, specific activities throughout the day and preferences of the occupants with distinct SpectraSync™ Color Tuning Technologies.



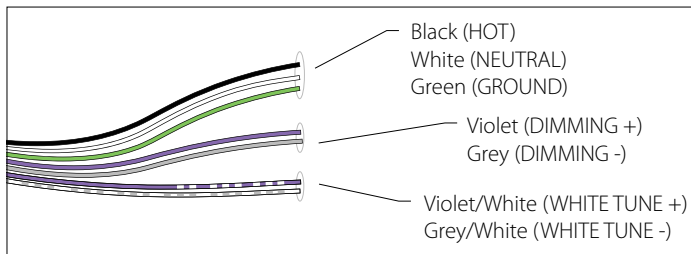
SPECTRASYNCH COLOR TUNING TECHNOLOGY		
Mode	Kelvin Range	Description
Dim to Warm	2200K-3000K	Mimics the familiar warming effect that occurs with traditional incandescent sources as they are dimmed
Tunable White	2700K-5000K 2700K-6500K	Offers users the ability to tailor CCT to their personal preference, enhancing task visibility, material and colors or the aesthetics of the space
Scheduled White	2700K-5000K 2700K-6500K	Mimics the rhythm of natural light or follows an alternative user-defined schedule throughout the day, enhancing an occupant's mood and well-being

### SpectraSync Tunable White

Available in two options: 2750T (2700K–5000K) or 2765T (2700K–6500K).

Requires two 0–10V controllers, one for intensity and one for CCT.

Minimum 5% dimming.

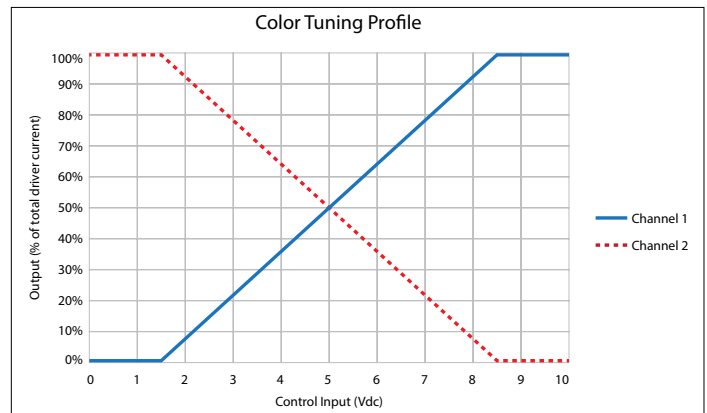


SpectraSync Tunable White luminaires are provided with two 0–10V circuits. The violet and grey circuit is for wiring to any qualified 0–10V controller for dimming. The violet/white and grey/white circuit is for wiring to any qualified 0–10V controller for Tunable White CCT control.

### Controller Manufacturer Data

SpectraSync Tunable White was designed to be used with sinking style dimmers (provided by others) and is compatible with:

- Hubbell Control Solutions (HCS): NX Distributed Intelligence™ Room Controllers (NXRC) and In-fixture Controllers (NXFM)
- Lutron: DDTV, DVSTV, and NFTV dimmers
- Wattstopper: ADF120277 and CD4BL (Titan) dimmers



To enable scheduling and for use with NX wall control preset stations please refer to Hubbell Control Solutions NX SpectraSync technical sheet.

# LTC-4RDW SpectraSync

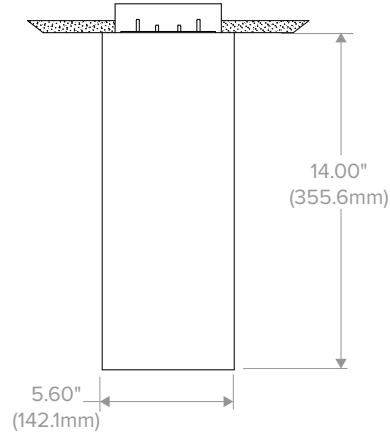
LITEISTRY 4" ROUND CYLINDER WITH COLOR TUNING

## DIMENSIONS

DATE: \_\_\_\_\_ LOCATION: \_\_\_\_\_

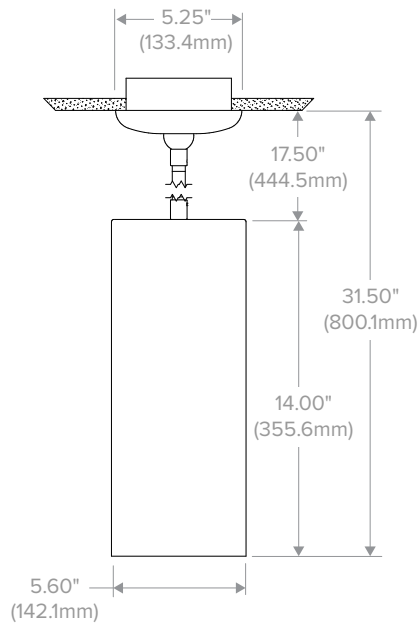
TYPE: \_\_\_\_\_ PROJECT: \_\_\_\_\_

CATALOG #: \_\_\_\_\_



**Integral Driver**

**Surface (-S)**



**Integral Driver**

**Pendant (-P)**

# LTC-4RDW SpectraSync

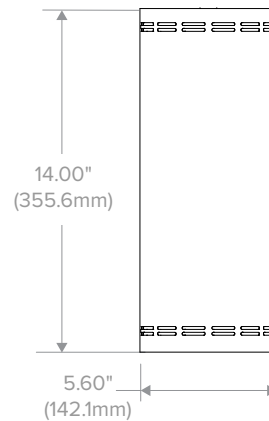
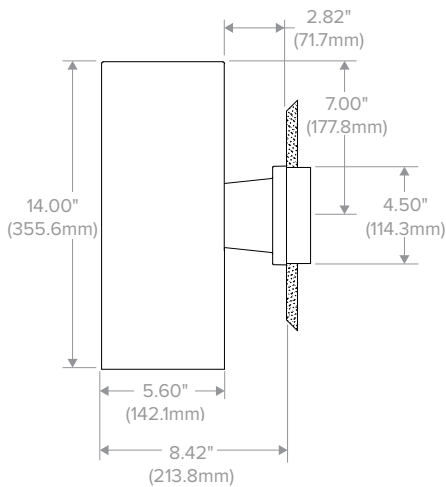
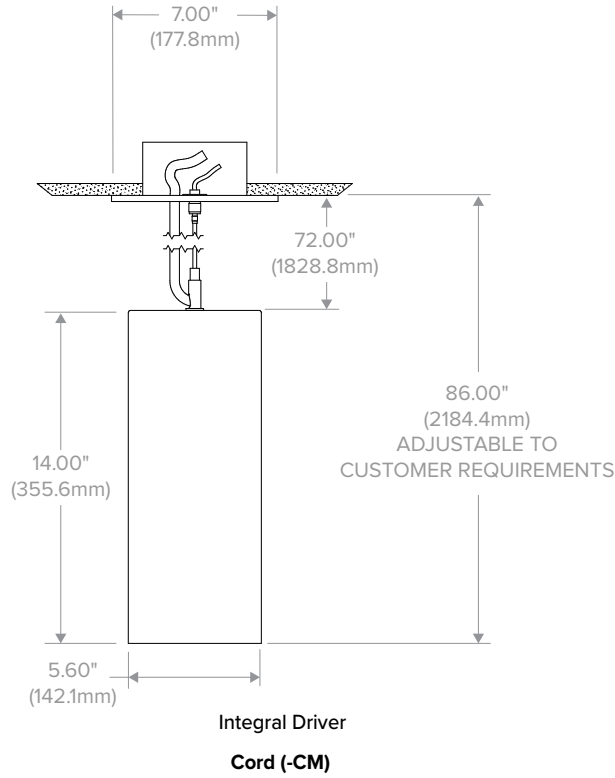
LITEISTRY 4" ROUND CYLINDER WITH COLOR TUNING

DATE: \_\_\_\_\_ LOCATION: \_\_\_\_\_

TYPE: \_\_\_\_\_ PROJECT: \_\_\_\_\_

CATALOG #: \_\_\_\_\_

## DIMENSIONS CONTINUED



# LTC-4RDW SpectraSync

LITEISTRY 4" ROUND CYLINDER WITH COLOR TUNING

## PHOTOMETRY

### LTC-4RD-P-15L2765T9NR-DMT-S-BL

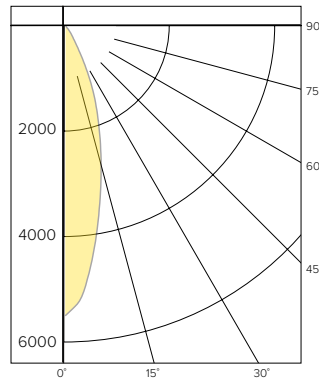
#### LUMINAIRE DATA

Test No.	R19.01948-01
Description	1500 lm, Narrow, 3000K, 90 CRI
Delivered Lumens	1608
Watts	25.0W
Efficacy	64.0
Mounting	Pendant
Spacing Criterion	0.5
Beam Angle (FWHM)	29

#### ZONAL LUMEN SUMMARY

Zone	Lumens	% Luminaire
0-40	2208	98.6
0-60	2237	99.9
0-90	1608	100.0
0-180	1608	100.0

#### POLAR GRAPH



#### CANDELA DISTRIBUTION

Degree	Candela
0	5179
5	4571
15	2396
25	920
35	163
45	16
55	1
65	1
75	0
85	0
90	0

#### LUMINANCE DATA\*

Vertical Angle	Average
45°	2823
55°	316
65°	215
75°	0
85°	0

\*Candela/Square Meter

### LTC-4RD-P-15L2765T9MD-DMT-S-BL

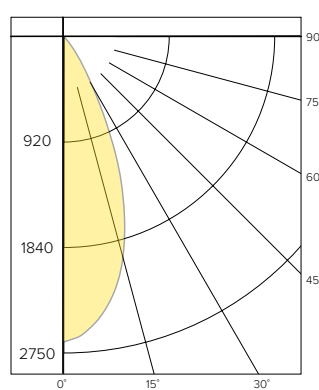
#### LUMINAIRE DATA

Test No.	R19.01974-01
Description	1500 lm, Medium, 3000K, 90 CRI
Delivered Lumens	1477
Watts	25.0W
Efficacy	59.0
Mounting	Pendant
Spacing Criterion	0.7
Beam Angle (FWHM)	44

#### ZONAL LUMEN SUMMARY

Zone	Lumens	% Luminaire
0-40	1449	98.1
0-60	1476	99.9
0-90	1477	100.0
0-180	1477	100.0

#### POLAR GRAPH



#### CANDELA DISTRIBUTION

Degree	Candela
0	2654
5	2561
15	2081
25	1035
35	258
45	25
55	2
65	1
75	0
85	0
90	0

#### LUMINANCE DATA\*

Vertical Angle	Average
45°	4363
55°	475
65°	215
75°	0
85°	0

\*Candela/Square Meter

### LTC-4RD-P-15L2765T9WD-DMT-S-BL

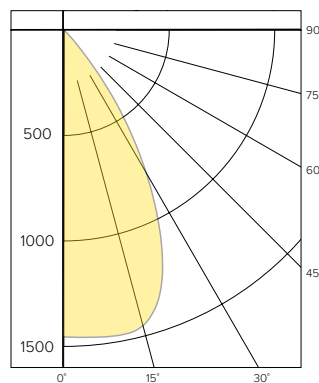
#### LUMINAIRE DATA

Test No.	R19.01946-01
Description	1500 lm, Wide, 3000K, 90 CRI
Delivered Lumens	1321
Watts	25.0W
Efficacy	53.0
Mounting	Pendant
Spacing Criterion	1.0
Beam Angle (FWHM)	61

#### ZONAL LUMEN SUMMARY

Zone	Lumens	% Luminaire
0-40	1275	96.5
0-60	1320	99.9
0-90	1321	100.0
0-180	1321	100.0

#### POLAR GRAPH



#### CANDELA DISTRIBUTION

Degree	Candela
0	1405
5	1412
15	1409
25	1052
35	445
45	40
55	3
65	1
75	0
85	0
90	0

#### LUMINANCE DATA\*

Vertical Angle	Average
45°	6926
55°	633
65°	429
75°	0
85°	0

\*Candela/Square Meter

# LTC-4RDW SpectraSync

LITEISTRY 4" ROUND CYLINDER WITH COLOR TUNING

## PHOTOMETRY CONTINUED

LTC-4RD-P-15L2765T9XW-DMT-S-BL

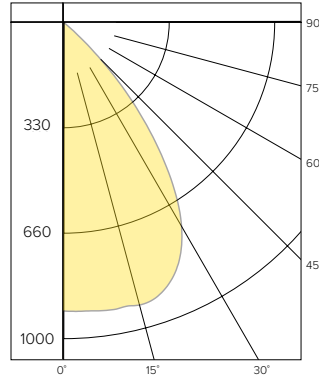
### LUMINAIRE DATA

Test No.	R19.01945-01
Description	1500 lm, Extra Wide, 3000K, 90 CRI
Delivered Lumens	1303
Watts	25.0W
Efficacy	52.0
Mounting	Pendant
Spacing Criterion	1.2
Beam Angle (FWHM)	78

### ZONAL LUMEN SUMMARY

Zone	Lumens	% Luminaire
0-40	1160	89.0
0-60	1301	99.9
0-90	1303	100.0
0-180	1303	100.0

### POLAR GRAPH



### CANDELA DISTRIBUTION

Degree	Candela
0	809
5	822
15	905
25	943
35	647
45	155
55	4
65	1
75	1
85	0
90	0

### LUMINANCE DATA\*

Vertical Angle	Average
45°	26926
55°	790
65°	429
75°	350
85°	0

\*Candela/Square Meter

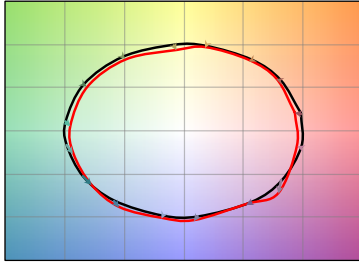
# LTC-4RDW SpectraSync

LITEISTRY 4" ROUND CYLINDER WITH COLOR TUNING

## TM-30 DATA

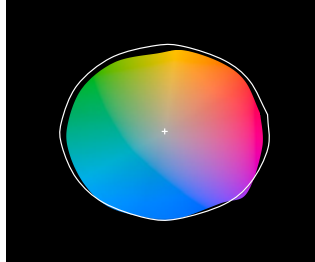
### SPECTRASYNC™ TUNABLE WHITE (2765T)

**COLOR VECTOR GRAPHIC**  
2700K, 90+ CRI

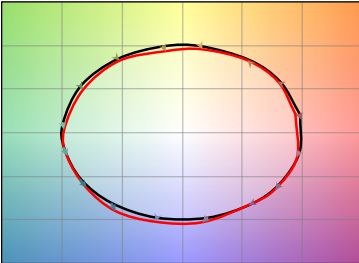


— Reference Illuminant — Test Source

**COLOR DISTORTION GRAPHIC**  
2700K, 90+ CRI

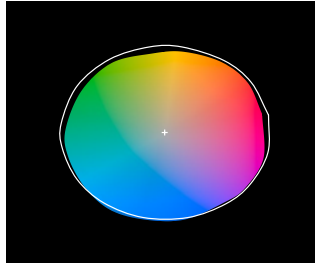


**COLOR VECTOR GRAPHIC**  
4600K, 90+ CRI

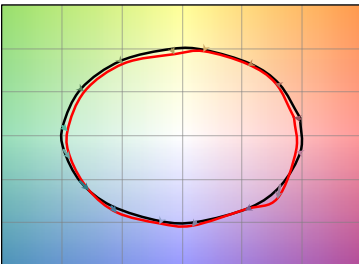


— Reference Illuminant — Test Source

**COLOR DISTORTION GRAPHIC**  
4600K, 90+ CRI



**COLOR VECTOR GRAPHIC**  
6500K, 90+ CRI



— Reference Illuminant — Test Source

**COLOR DISTORTION GRAPHIC**  
6500K, 90+ CRI



TEST RESULTS - TUNABLE WHITE @ 1000 LUMENS (NOMINAL)			
Value	2700K	4600K	6500K
Luminous Flux (lm)	846	941	982
Wattage (W)	17.0	16.8	16.9
Efficacy (lm/W)	50	56	58
R <sub>f</sub>	88	89	88
R <sub>g</sub>	97	98	97
CCT (K)	2809	4597	6326
D <sub>uv</sub>	-0.0018	-0.0052	0.0017
x	0.4481	0.3558	0.3163
y	0.4035	0.3502	0.33
CIE R <sub>a</sub>	91	95	94
CIE R <sub>g</sub>	48	83	73



# LTC-4RDW SpectraSync

LITEISTRY 4" ROUND CYLINDER WITH COLOR TUNING

DATE: \_\_\_\_\_ LOCATION: \_\_\_\_\_

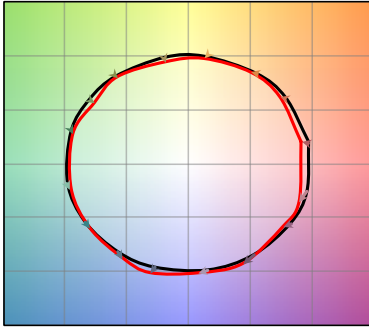
TYPE: \_\_\_\_\_ PROJECT: \_\_\_\_\_

CATALOG #: \_\_\_\_\_

## TM-30 DATA CONTINUED

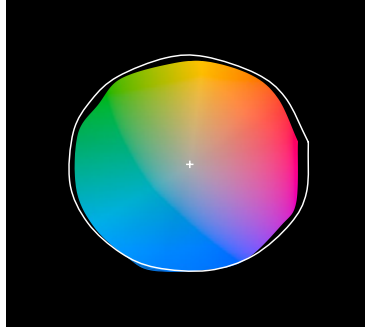
### SPECTRASYNCTM DIM TO WARM (2230TD)

**COLOR VECTOR GRAPHIC**  
3000K, 90+ CRI @ 100%

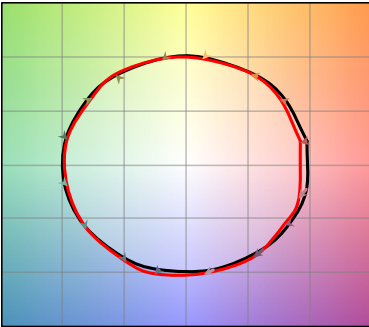


— Reference Illuminant — Test Source

**COLOR DISTORTION GRAPHIC**  
3000K, 90+ CRI @ 100%

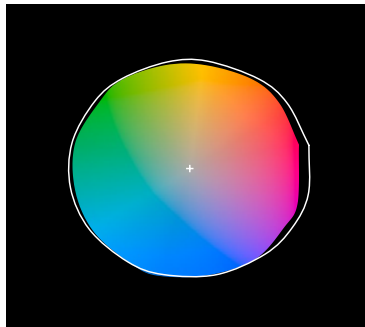


**COLOR VECTOR GRAPHIC**  
2600K, 90 CRI @ 50% DIM

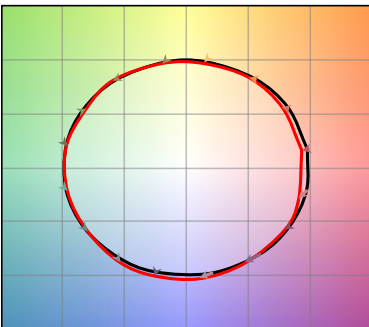


— Reference Illuminant — Test Source

**COLOR DISTORTION GRAPHIC**  
2600K, 90 CRI @ 50% DIM

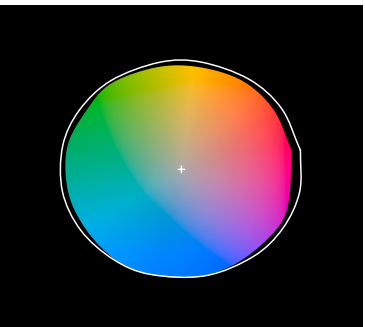


**COLOR VECTOR GRAPHIC**  
2200K, 90 CRI @ 5% DIM



— Reference Illuminant — Test Source

**COLOR DISTORTION GRAPHIC**  
2200K, 90 CRI @ 5% DIM



TEST RESULTS - DIM TO WARM @ 3 DIMMING LEVELS			
Value	100%	50% Dim	5% Dim
Luminous Flux (lm)	945	507	34
Wattage (W)	16.94	9.69	2.43
Efficacy (lm/W)	56	52	14
R <sub>f</sub>	90	92	92
R <sub>g</sub>	97	99	98
CCT (K)	3136	2650	2204
D <sub>uv</sub>	-0.0016	-0.0016	-0.0005
x	0.4254	0.461	0.5063
y	0.3965	0.4069	0.4168
CIE R <sub>a</sub>	92	93	92
CIE R <sub>g</sub>	52	60	57



# LTC-4RDW SpectraSync

LITEISTRY 4" ROUND CYLINDER WITH COLOR TUNING

DATE: \_\_\_\_\_ LOCATION: \_\_\_\_\_

TYPE: \_\_\_\_\_ PROJECT: \_\_\_\_\_

CATALOG #: \_\_\_\_\_

## ELECTRICAL DATA

DRIVER DATA	
Input Voltage	120-277 V
Input Frequency	50/60 Hz
Power Factor	≥0.90
THD	<20%
EMI Filtering (FCC 47 CFR Part 15)	Class A

WATTAGE DATA		
Lumen Output	Nominal Lumens	Wattage
06L	600	10
10L	1000	18
15L	1500	25

\* Wattage may vary based on configuration and options selected

## ADDITIONAL INFORMATION

### Central Inverters

For full fixture output in back-up mode, we recommend you visit [www.dual-lite.com](http://www.dual-lite.com) for your Central Lighting Inverter options. Please contact your local Hubbell representative for any assistance with proper sizing and loading of your inverter selection. Central lighting inverters must be ordered separately.

LiteGear: [www.dual-lite.com/products/litegear\\_lg\\_series](http://www.dual-lite.com/products/litegear_lg_series)

LPS Series: [www.dual-lite.com/products/lps](http://www.dual-lite.com/products/lps)