

LTR-SCA

LITEISTRY™ SLOPED CEILING ADAPTER

| | |
|------------|-----------|
| DATE: | LOCATION: |
| TYPE: | PROJECT: |
| CATALOG #: | |

LITEISTRY™

FEATURES

- Sloped Ceiling Adapter (SCA) designed for seamless integration with standard LITEISTRY recessed 3", 4" and 6" round aperture downlights
- Available for ceiling slopes from 5° to 35° (in 5° increments)
- Durable, powder coat white finish (standard) for interior and flange



RELATED PRODUCTS

- [∅ LTR-3RD](#)
 [∅ LTR-3RDPH](#)
 [∅ LTR-3RD SpectraSync](#)
- [∅ LTR-4RD](#)
 [∅ LTR-4RDPH](#)
 [∅ LTR-4RD SpectraSync](#)
- [∅ LTR-6RD](#)
 [∅ LTR-6RDPH](#)
 [∅ LTR-6RD SpectraSync](#)

SPECIFICATIONS

CONSTRUCTION

- Heavy-gauge, self-flanged spun aluminum adapter
- Housing, Trim, and Sloped Ceiling Adapter accessory ordered separately

OPTICS

- Adapter allows the axis of the standard LITEISTRY housing to remain unchanged
- Full adapter contour optimizes lighting characteristics of the specified light engine/trim assembly

INSTALLATION

- Designed for easy installation in a wide range of sloped ceiling applications
- SCA4 and SCA6 mounts securely to housing plaster frame and ceiling using the standard trim torsion springs
- SCA3 mounts using the standard trim wing springs and mousetrap springs on the SCA reflector

INSTALLATION (CONTINUED)

- Max Ceiling Thickness for all 3" aperture: 1.25" Max Ceiling Thickness for 4"/6" apertures: 2" (5° to 20°); 1.75" (25° to 35°)
- Refer to LITEISTRY downlight specification sheets and LTR-SCA Installation Instruction Sheet for additional details

ORDERING GUIDE

CATALOG #

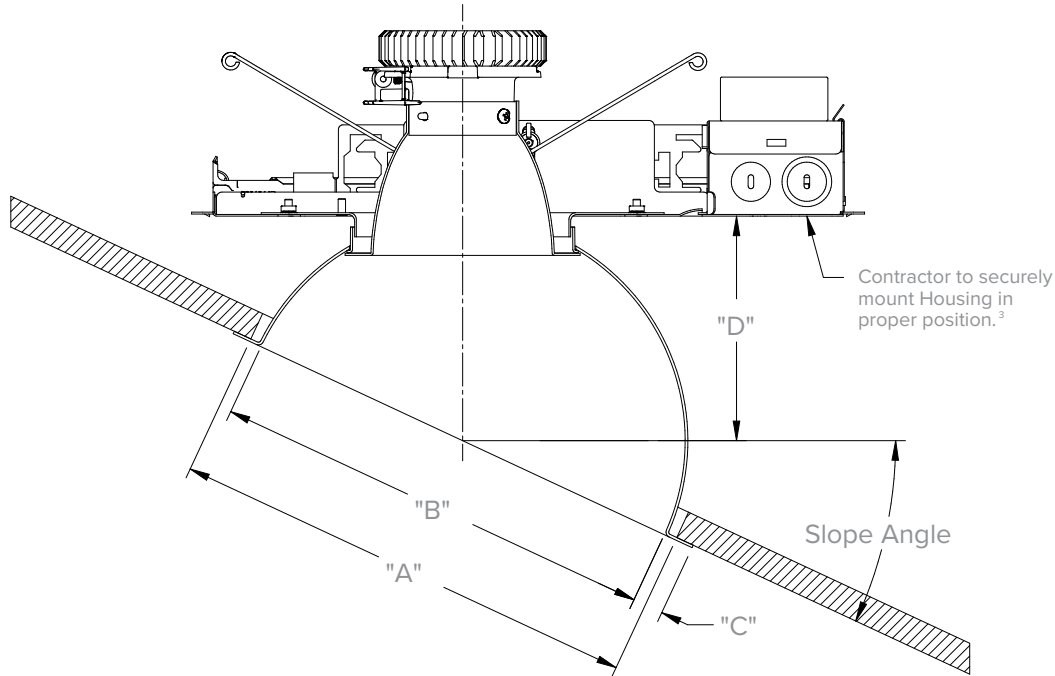
HOUSING

| LTR-SCA | | Nominal Downlight Aperture | | Degree of Ceiling Slope | |
|------------|---|----------------------------|---|-------------------------|-----------------|
| Base Model | | | | | |
| LTR-SCA | LITEISTRY™ Sloped Ceiling Adapter, White Powder Coat Finish | 3 | For use with 3" LTR-3RD Series ¹ | 05 | 5° Slope Angle |
| | | 4 | For use with 4" LTR-4RD Series ¹ | 10 | 10° Slope Angle |
| | | 6 | For use with 6" LTR-6RD Series ¹ | 15 | 15° Slope Angle |
| | | | | 20 | 20° Slope Angle |
| | | | | 25 | 25° Slope Angle |
| | | | | 30 | 30° Slope Angle |
| | | | | 35 | 35° Slope Angle |

Notes:

- 1 For new construction round downlight housing types only; not compatible with Wall Wash or Adjustable configurations.

DIMENSIONS



LITEISTRY Housing, Trim, and SCA Adapter ordered separately

| SCA Accessory ¹ | Housing/Trim Series Compatibility ² | "A" Ceiling Opening | "B" Aperture | "C" Flange Width | "D" ³ Height to Ceiling Plane | |
|----------------------------|--|---------------------|---------------------|-------------------|--|--|
| | | | | | For 5° to 30° | For 30° to 35° |
| LTR-SCA3- <u>xx</u> | LTR-3RD | 10.00" (254.0mm) | 9.50" (241.3mm) | 0.50" (12.7mm) | 5.00" to 6.50" (127.0mm to 165.1mm) | |
| LTR-SCA4- <u>xx</u> | LTR-4RD | 10.50" (266.7mm) | 10.00" (254.0mm) | 0.63" (16.0mm) | 4.88" to 5.38" (123.8mm to 136.5mm) | 5.00" to 6.00" (127.0mm to 152.4mm) |
| LTR-SCA6- <u>xx</u> | LTR-6RD | 11.50" (292.1mm) | 11.00" (279.4mm) | 0.63" (16.0mm) | 4.88" to 5.88" (123.8mm to 149.2mm) | 5.13" to 6.00" (130.2mm to 152.4mm) |

Notes:

- xx = Slope Angle, see Ordering Guide for available options. Refer to [LTR-SCA Installation Manual](#) for more details.
- For Downlight Housing/Trim configurations only, (not compatible with Wall Wash or Adjustable trims).
- Max Ceiling Thickness for all 3" aperture: 1.25"
Max Ceiling Thickness for 4"/6" apertures: 2" (5° to 20°); 1.75" (25° to 35°)