

LTR-4RW Lens SpectraSync

LITEISTRY 4" ROUND LENSED WALL WASH (LWW) WITH COLOR TUNING

LITEISTRY™

FEATURES

- 4" architectural LED lensed wall wash delivering 600–2000 lm
- Provides smooth, uniform vertical illumination
- SpectraSync™ Color Tuning technology allows the flexibility to tailor CCT to aesthetic preferences
- Available in Dim to Warm (2200K-3000K) or Tunable White (2700K-5000K or 2700K-6500K), 90+ CRI
- Available for New Construction (non-IC), IC and Chicago Plenum applications
- Standard with 0-10V dimming to 5%
- NX Distributed Intelligence™ wired and wireless controls capability available



RELATED PRODUCTS

Ø 3" LITEISTRY Family

Ø 4" LITEISTRY Family

Ø 6" LITEISTRY Family



CONTROL TECHNOLOGY



SPECIFICATIONS

CONSTRUCTION

- Painted black durable steel platform with pre-installed bar hangers
- Pre-wired junction box with snap-on covers for easy access
- Snap-in connection from driver compartment allows easy installation
- Light Engine connections use plenum rated (CMP) cable

OPTICS

- Provides excellent uniformity down the wall
- The light distribution is free of distracting bright spots or pixelation and the perimeter has a smooth transition
- High purity spun aluminum reflector, self-flanged
- Flush mount flange option with mud-in ring available
- Large selection of anodized finishes and colors
- Painted cones and flange options available

ELECTRICAL

- LED array with 3 SDCM color consistency
- Dim to Warm (2200K-3000K) or Tunable White (2700K-5000K or 2700K-6500K) options available
- 90+ CRI standard
- Long LED life: L70 at >60,000 hours (TM-21)
- Universal voltage 120V–277V driver
- UL Class 2, inherent short circuit and overload protection, RoHS compliant
- Flicker free 0–10V dimming to 5%
- NX or Lutron Vive control options available
- Emergency battery pack option available with remote test switch and indicator light
- Refer to additional spec sheets for information on [standard LITEISTRY](#) or [PowerHUBB™ PoE enabled](#) solutions

INSTALLATION

- Accommodates ceiling thickness up to 1.25"
- Universal adjustable mounting brackets also accept ½" EMT conduit or 1½" or ¾" lathing channel (by others) or Prescolite accessory bar hangers (B24 or B6)
- Light engine/driver fully serviceable from above or below the ceiling

CERTIFICATIONS

- cCSAus certified to UL 1598
- Suitable for wet locations, covered ceiling EMR: Suitable for damp locations
- EMR: Certified under UL 924 standard for emergency lighting and power equipment
- Approved for 8 (4 in/4 out) No. 12AWG conductors rated for 90°C through wiring
- This product qualifies as a "designated country construction material" per FAR 52.225-11 Buy American-Construction. Materials under Trade Agreements effective 6/6/2020. See [Buy American Solutions](#).

WARRANTY

- 5 year warranty
- See [HLI Standard Warranty](#) for additional information

KEY DATA	
Lumen Range	600-2000
Wattage Range	10-36
Efficacy Range (LPW)	44*
Reported Life (Hours)	L70 / >60,000
Input Current (mA)	83-300 (120V)

*Based on Specular, 30K, 90 CRI



DATE: _____ LOCATION: _____

TYPE: _____ PROJECT: _____

CATALOG #: _____

LTR-4RW Lens SpectraSync

LITEISTRY 4" ROUND LENSED WALL WASH (LWW)
WITH COLOR TUNING

ORDERING GUIDE

Example: LTR-4RD-H-SL10L-DMTW-LTR-4RW-T-SL2230TD9LWW-S

CATALOG # _____

HOUSING

LTR-4RD-H		Lumen Package		Lumen Output		Driver Options		Control Options		Voltage	Housing Options	
Aperture/Shape/Function												
LTR-4RD-H	4" Round Downlight / Wall Wash New Construction Housing	SL	Standard Lumen	06L	600	DMTW	SpectraSync™ Dim to Warm, 0-10V Dimming to 5% ¹	NXE	NX Wireless Enabled, Dual SmartPorts	Standard 120-277V	CP	Chicago Plenum ^{7,8,9}
				10L	1000							
		ML	Medium Lumen	15L	1500	DMT	SpectraSync™ Tunable White, 0-10V Dimming to 5% ²	NXWE	NX Wireless Enabled, Dual SmartPorts		IC	IC rated ^{7,8,9}
				20L	2000							
								LV	Lutron Vive Enabled, 0-10V ⁶		F	Fuse ⁷

TRIM

LTR-4RW-T		Lumen Package		CCT		CRI		Distribution	
Aperture/Shape/Function									
LTR-4RW-T	4" Round Wall Wash Light Engine/Trim Assembly	SL	Standard Lumen	2230TD	2200K-3000K SpectraSync™ Dim to Warm	9	90+ CRI	LWW	Lensed Wall Wash
		ML	Medium Lumen						
				2750T	2700K-5000K SpectraSync™ Tunable White				
				2765T	2700K-6500K SpectraSync™ Tunable White				

TRIM CONTINUED

Reflector Finish	Reflector Color	Flange Color Options	Lower Trim Options	Reflector Options
<i>Finish not applicable with painted reflectors (WC or BC)</i>	<i>Standard Clear</i>	<i>Standard matches reflector color</i>	FM Flush Mount Mud-in Ring ³	AM Antimicrobial Coating ⁵
S Specular	CG Champagne Gold	WT White Flange ⁴		
SS Semi-Specular	BL Black	BT Black Flange ⁴		
MFC American Matte™	LW Light Wheat			
VS Softglow®	PW Pewter			
VSS SoftSheen™	WC Painted White Cone and Flange			
	BC Painted Black Cone and Flange			

Accessories

- B24** Set of two (2) 24" bar hangers for T-bar ceilings
- B6** Set of two bar hangers for ceiling joist up to 24" centers
- FMR4-R** Flush Mount Flange Mud-In Ring, 4" Round
- LiteGear** LiteGear® Inverter, 125VA-250VA
- LPS Series** LightPower Micro-Inverter, 20VA-55VA
- MOR4-R-WH** Metal Oversized Ring, 4" Round, White (8.25" outside diameter)
- MOR4-R-BL** Metal Oversized Ring, 4" Round, Black (8.25" outside diameter)

Notes:

- 1 Must select 2230TD with DMTW driver.
- 2 Must select either 2750T or 2765T with DMT driver.
- 3 Flush Mount Flange (FM) requires FMR accessory (sold separately).
- 4 AM available with WC or Specular Clear (S or SWT). Consult factory for other colors.
- 5 WT not needed for WC, BT not needed for BC.
- 6 LV available only with DMTW driver option.
- 7 Housing options (except Fuse) not available in combination.
- 8 IC, CP available in 06L
- 9 Not available with Control options.

LTR-4RW Lens SpectraSync

LITEISTRY 4" ROUND LENSED WALL WASH (LWW)
 WITH COLOR TUNING

CONTROLS

NX Distributed Intelligence™ Lighting Controls:

Supports applications in a variety of deployment options- wired, wireless, hybrid. Integrates with and enables a wide array of luminaires including those with SpectraSync™ Color Tuning Technology.



NX INTEGRATED CONTROLS REFERENCE								
NX Option	Sensor	Networkable	Scheduling	Occupancy	Daylight Harvesting	0-10V Dimming	On/off Control	Bluetooth® App Programming
NX Networked – Wired								
NXE	N/A	Yes	Yes	No	No	Yes	Yes	Requires NXBTC/R ¹
NX Networked – Wireless								
NXWE ²	N/A	Yes	Yes	No	No	Yes	Yes	No ³
NX Networked – Wired/Wireless								
NXWD	N/A	Yes	Yes	No	No	Yes	Yes	Requires NXBTC/R ^{1,3}

- 1 NXBTC/R needs to be plugged into an available NX SmartPort™ on the fixture network
- 2 Programming via App requires factory assistance
- 3 To program NXWE option, need to consult factory. If connected to an area controller, programming can be done from that

SpectraSync™ Color Tuning Technology:

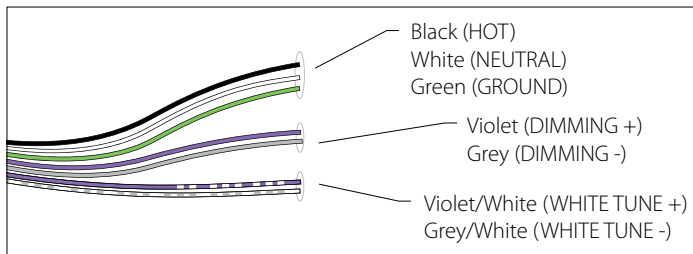
Control your space based on the needs of the application, specific activities throughout the day and preferences of the occupants with distinct SpectraSync™ Color Tuning Technologies.



SPECTRASYNCH COLOR TUNING TECHNOLOGY		
Mode	Kelvin Range	Description
Dim to Warm	2200K-3000K	Mimics the familiar warming effect that occurs with traditional incandescent sources as they are dimmed
Tunable White	2700K-5000K 2700K-6500K	Offers users the ability to tailor CCT to their personal preference, enhancing task visibility, material and colors or the aesthetics of the space
Scheduled White	2700K-5000K 2700K-6500K	Mimics the rhythm of natural light or follows an alternative user-defined schedule throughout the day, enhancing an occupant's mood and well-being

SpectraSync Tunable White

Available in two options: 2750T (2700K–5000K) or 2765T (2700K–6500K). Requires two 0–10V controllers, one for intensity and one for CCT. Minimum 5% dimming.

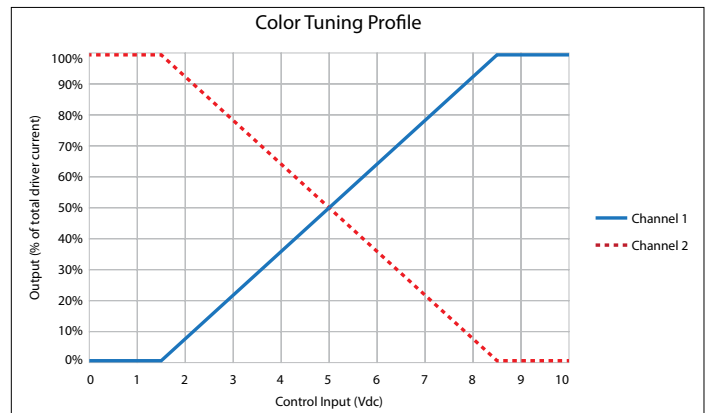


SpectraSync Tunable White luminaires are provided with two 0–10V circuits. The violet and grey circuit is for wiring to any qualified 0–10V controller for dimming. The violet/white and grey/white circuit is for wiring to any qualified 0–10V controller for Tunable White CCT control.

Controller Manufacturer Data

SpectraSync Tunable White was designed to be used with sinking style dimmers (provided by others) and is compatible with:

- Hubbell Control Solutions (HCS): NX Distributed Intelligence™ Room Controllers (NXRC) and In-fixture Controllers (NXFM)
- Lutron: DDTV, DVSTV, and NDTV dimmers
- Wattstopper: ADF120277 and CD4BL (Titan) dimmers

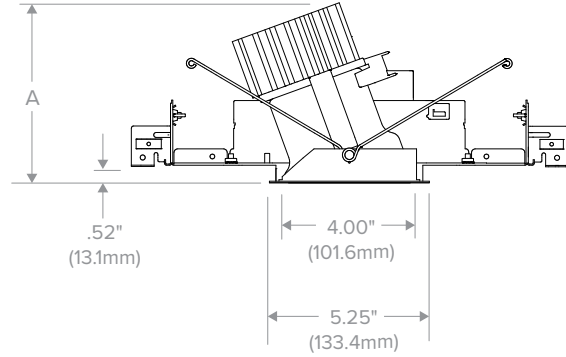
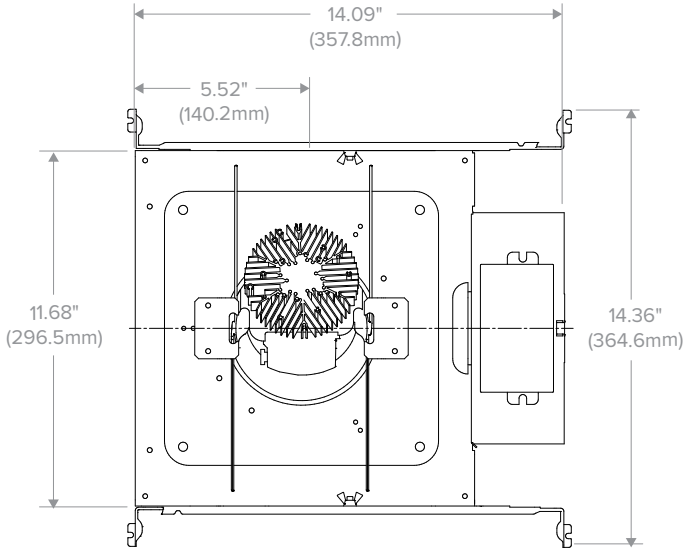


To enable scheduling and for use with NX wall control preset stations please refer to Hubbell Control Solutions NX SpectraSync technical sheet.

LTR-4RW Lens SpectraSync

LITEISTRY 4" ROUND LENSED WALL WASH (LWW)
WITH COLOR TUNING

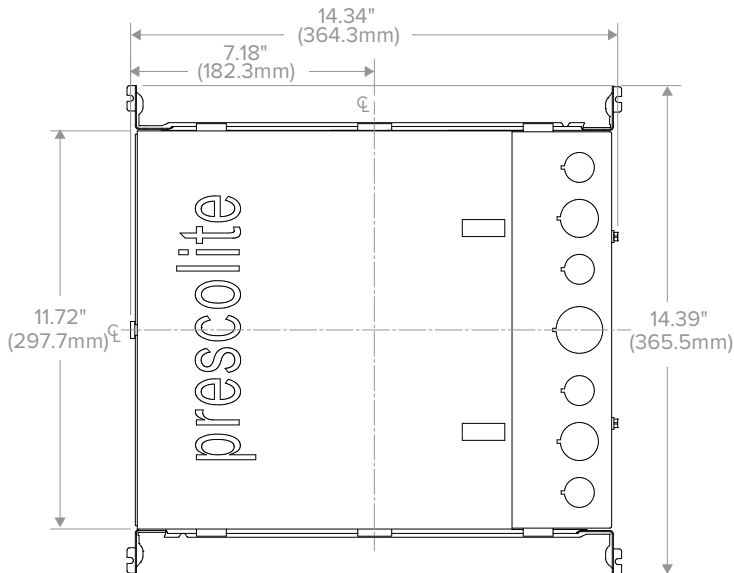
DIMENSIONS



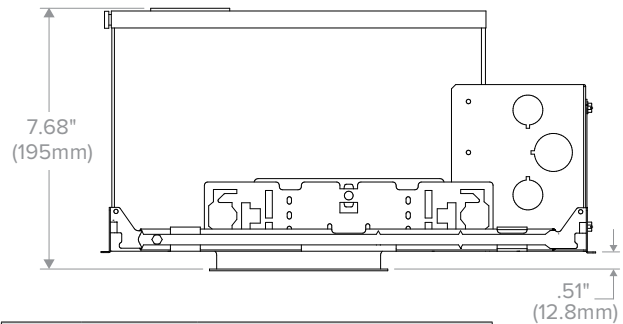
Dimensional Data		
Aperture	4.00" (101.6mm)	
Flange:	Standard	5.25" (133.4mm)
	Flush Mount	4.50" (114.3mm)
Ceiling Cutout:	Standard	5.00" (127.0mm)
	Flush Mount	5.12" (130.0mm)
Ceiling Thickness:	0.50" to 1.25" (12.7mm to 31.8mm)	

Lumen Package	"A"
06L-10L	4.72" (119.9mm)
15L-20L	6.97" (177.0mm)

LTR-4RW LENS-H



Top View



Dimensional Data		
Aperture	4.00" (101.6mm)	
Flange:	Standard	5.25" (133.4mm)
	Flush Mount	4.50" (114.3mm)
Ceiling Cutout:	Standard	5.00" (127.0mm)
	Flush Mount	5.12" (130.0mm)
Ceiling Thickness:	0.50" to 1.25" (12.7mm to 31.8mm)	

LTR-4RW LENS - H IC/CP

LTR-4RW Lens SpectraSync

LITEISTRY 4" ROUND LENSED WALL WASH (LWW)
WITH COLOR TUNING

PHOTOMETRY

LTR-4RD-H-ML20L-DMT / LTR-4RW-T-ML2765T9LWWS

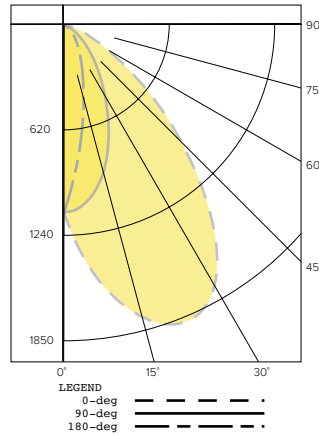
LUMINAIRE DATA

Test No.	R19.00821-16
Description	4" Lensed Wall-Wash; 2000lm 3000K, 90 CRI
Delivered Lumens	1598
Watts	36.4
Efficacy	44
Mounting	Recessed

ZONAL LUMEN SUMMARY

Zone	Lumens	% Luminaire
0-40	1109	69.4
0-60	1521	95.2
0-90	1598	100.0
0-180	1598	100.0

POLAR GRAPH



CANDELA DISTRIBUTION

Degree	Candela
0	1082
5	1357
15	1746
25	1841
35	1529
45	961
55	468
65	181
75	57
85	0
90	0

LUMINANCE DATA*

Vertical Angle	Average
45°	157432
55°	94576
65°	49718
75°	25370
85°	0

*Candela/Square Meter

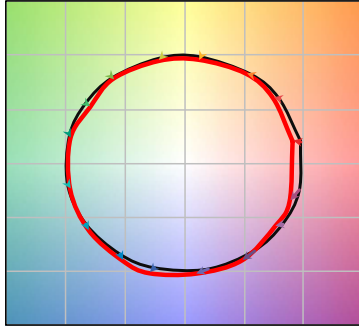
LTR-4RW Lens SpectraSync

LITEISTRY 4" ROUND LENSED WALL WASH (LWW)
WITH COLOR TUNING

TM-30 DATA

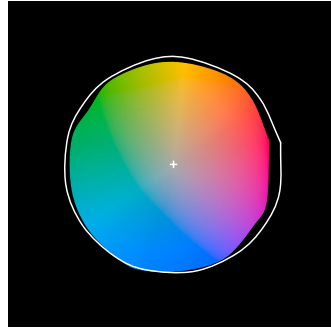
SPECTRASYNCTM TUNABLE WHITE (2765T)

COLOR VECTOR GRAPHIC
2700K, 90+ CRI

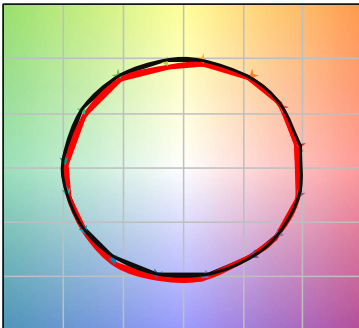


— Reference Illuminant — Test Source

COLOR DISTORTION GRAPHIC
2700K, 90+ CRI

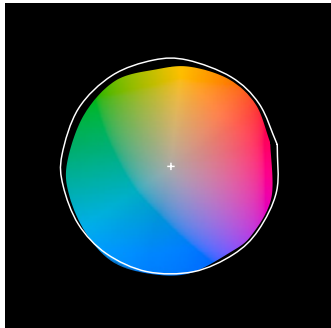


COLOR VECTOR GRAPHIC
4600K, 90+ CRI

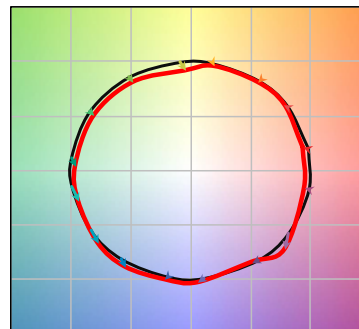


— Reference Illuminant — Test Source

COLOR DISTORTION GRAPHIC
4600K, 90+ CRI



COLOR VECTOR GRAPHIC
6500K, 90+ CRI



— Reference Illuminant — Test Source

COLOR DISTORTION GRAPHIC
6500K, 90+ CRI



TEST RESULTS - TUNABLE WHITE @ 1500 LUMENS (NOMINAL)			
Value	2700K	4600K	6500K
Luminous Flux (lm)	1407	1604	1660
Wattage (W)	23.9	24.3	24.6
Efficacy (lm/W)	59	66	68
R _f	90	89	87
R _g	97	98	96
CCT (K)	2817	4588	6518
D _{UV}	-0.0013	-0.0040	0.0018
x	0.4482	0.3565	0.3131
y	0.4047	0.3531	0.3273
CIE R _a	91	95	94
CIE R _g	47	81	76

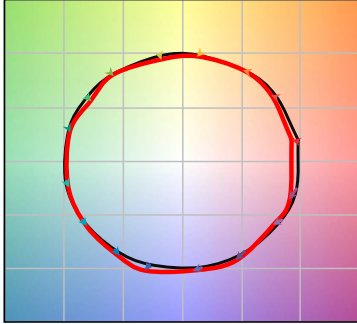
LTR-4RW Lens SpectraSync

LITEISTRY 4" ROUND LENSED WALL WASH (LWW)
WITH COLOR TUNING

TM-30 DATA CONTINUED

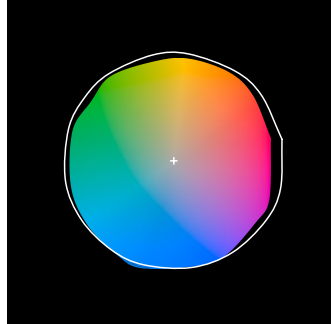
SPECTRASYNCTM DIM TO WARM (2230TD)

COLOR VECTOR GRAPHIC
3000K, 90+ CRI @ 100%

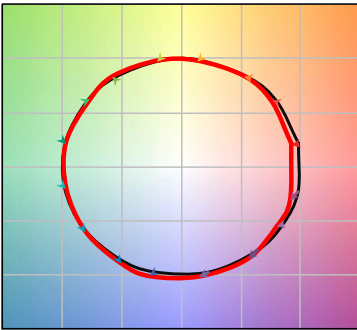


— Reference Illuminant — Test Source

COLOR DISTORTION GRAPHIC
3000K, 90+ CRI @ 100%

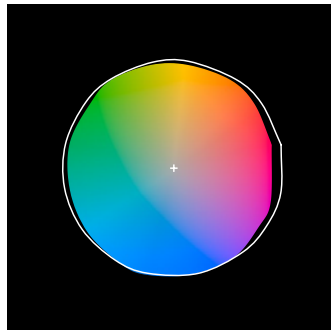


COLOR VECTOR GRAPHIC
2600K, 90 CRI @ 50% DIM

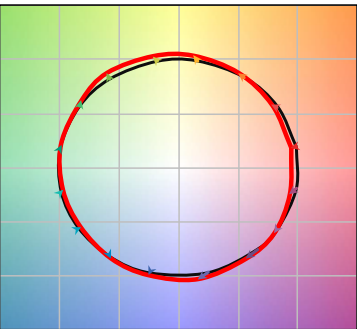


— Reference Illuminant — Test Source

COLOR DISTORTION GRAPHIC
2600K, 90 CRI @ 50% DIM

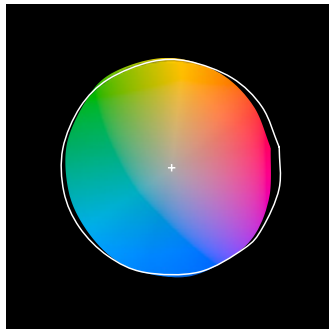


COLOR VECTOR GRAPHIC
2200K, 90 CRI @ 5% DIM



— Reference Illuminant — Test Source

COLOR DISTORTION GRAPHIC
2200K, 90 CRI @ 5% DIM



TEST RESULTS - DIM TO WARM @ 3 DIMMING LEVELS			
Value	100%	50% Dim	5% Dim
Luminous Flux (lm)	1501	772	53
Wattage (W)	24.3	14	3.4
Efficacy (lm/W)	62	55	16
R _f	90	92	91
R _g	97	99	102
CCT (K)	3123	2590	2282
D _{uv}	-0.0017	-0.0015	-0.0029
x	0.4261	0.4662	0.4907
y	0.3965	0.4082	0.4068
CIE R _a	92	93	93
CIE R _g	53	60	64



DATE: _____ LOCATION: _____

TYPE: _____ PROJECT: _____

CATALOG #: _____

LTR-4RW Lens SpectraSync

LITEISTRY 4" ROUND LENSED WALL WASH (LWW)

WITH COLOR TUNING

ELECTRICAL DATA

DRIVER DATA	
Input Voltage	120-277 V
Input Frequency	50/60 Hz
Power Factor	≥0.90
THD	<20%
EMI Filtering (FCC 47 CFR Part 15)	Class A

WATTAGE DATA		
Lumen Output	Nominal Lumens	Wattage
06L	600	10
10L	1000	18
15L	1500	25
20L	2000	36

* Wattage may vary based on configuration and options selected

ADDITIONAL INFORMATION

Central Inverters

For full fixture output in back-up mode, we recommend you visit www.dual-lite.com for your Central Lighting Inverter options. Please contact your local Hubbell representative for any assistance with proper sizing and loading of your inverter selection. Central lighting inverters must be ordered separately.

LiteGear: www.dual-lite.com/products/litegear_lg_series

LPS Series: www.dual-lite.com/products/lps