

LTC-4SQD SpectraSync

LITEISTRY 4" SQUARE CYLINDER WITH COLOR TUNING

LITEISTRY™

FEATURES

- 4" architectural LED downlight cylinder delivering 600 - 1500 lm
- Four beam distributions from 0.6 to 1.2 Spacing Criteria
- Quiet reflector appearance with 50° optical cutoff
- SpectraSync™ Color Tuning technology allows flexibility to tailor CCT to aesthetic preferences
- Available in Dim To Warm (2200K-3000K) or Tunable White (2700K-5000K or 2700K-6500K), 90 CRI
- Available in Surface, Wall, Pendant or Cord Mount configurations
- Standard with 0-10V dimming to 5%



(Select Models)

RELATED PRODUCTS

Ø 3" LITEISTRY Family

Ø 4" LITEISTRY Family

Ø 6" LITEISTRY Family

CONTROL TECHNOLOGY



SPECIFICATIONS

CONSTRUCTION

- Seamless heavy gauge aluminum cylinder body with a clean appearance
- Select from 4 durable powder coat paint architectural finishes or Brushed Aluminum
- Available in Surface, Wall, Pendant, or Cable/Cord mounting options
- Wall Mount: One piece die cast aluminum mounting arm
- Wall Mount driver is integral in cylinder
- Pendant Mount: Swivel canopy allows sloped ceiling mounting up to 45 degrees
- Integral driver versions allow direct mounting to a standard 4" octagonal or square junction box

OPTICS

- Visually pleasing 50° cutoff to source and source image
- The light distribution is free of distracting bright spots or pixelation and the perimeter has a smooth transition
- Optical grade silicone lens integral to light engine
- High purity four panel aluminum reflector, self-flanged
- Large selection of anodized finishes and colors
- Painted cones and flange options available

ELECTRICAL

- LED array with 3 SDCM color consistency
- Dim to Warm (2200K-3000K) or Tunable White (2700K-5000K or 2700K-6500K) options available
- 90+ CRI standard
- Long LED life: L70 at >60,000 (TM-21)
- Universal voltage 120V-277V driver
- UL Class 2, inherent short circuit and overload protection, RoHS compliant
- Flicker free 0-10V dimming to 5%

INSTALLATION

- Light Engine/Trim assembly is mechanically secured with torsion springs for ease of installation
- A quick connect is provided for easy maintenance or upgrade

CERTIFICATIONS

- cCSAus certified to UL 1598
- Wall Mount up to 10L: Suitable for wet locations
- Pendant Mount up to 10L: Suitable for wet locations under covered ceiling
- Surface, Cord Mount and all 15L: Suitable for damp locations
- This product qualifies as a "designated country construction material" per FAR 52.225-11 Buy American-Construction. Materials under Trade Agreements effective 6/6/2020. See [Buy American Solutions](#).

WARRANTY

- 5 year warranty
- See [HLI Standard Warranty](#) for additional information

KEY DATA	
Lumen Range	600–1500
Wattage Range	10–25
Efficacy Range (LPW)	49–60*
Reported Life (Hours)	L70 / >60,000
Input Current Range (mA)	83–208 (120V)

*Based on Specular, 30K, 90 CRI



LTC-4SQD SpectraSync

LITEISTRY 4" SQUARE CYLINDER WITH COLOR TUNING

DATE: _____ LOCATION: _____

TYPE: _____ PROJECT: _____

CATALOG #: _____

ORDERING GUIDE

Example: LTC-4SQD-P-15L2230TD9WD-DMTW-SS-WH

CATALOG #

LTC-4SQD		Cylinder Mounting		Lumen Output		CCT		CRI		Distribution	
Aperture/Shape/Function		S Surface		06L 600 Lumens		2230TD 2200K-3000K SpectraSync™ Dim to Warm		9 90+ CRI		NR Narrow (0.6 SC/37°)	
LTC-4SQD 4" Square Downlight Cylinder		W Wall		10L 1000 Lumens		2750T 2700K-5000K SpectraSync™ Tunable White				MD Medium (0.8 SC/46°)	
		P Pendant (18" Stem Standard)		15L 1500 Lumens ⁶		2765T 2700K-6500K SpectraSync™ Tunable White				WD Wide (1.0 SC/60°)	
		CM Cable/Cord (6 ft. Cord Standard) ⁵								XW Extra Wide (1.2 SC/69°)	

Driver Options		Voltage	Reflector Finish	Reflector Color	Flange Color Options
DMTW	SpectraSync™ Dim to Warm, 0-10V Dimming to 5% ^{1,3}	Standard 120-277V	<i>Finish not applicable with painted reflectors (WC or BC)</i>	<i>Standard Clear</i>	<i>Standard matches reflector color</i>
DMT	SpectraSync™ Tunable White, 0-10V Dimming to 5% ^{2,3}		S Specular	CG Champagne Gold	WT White Flange ⁴
			SS Semi-Specular	LW Light Wheat	BT Black Flange ⁴
			VS Softglow®	PW Pewter	
			VSS SoftSheen™	WC Painted White Cone and Flange	
				BC Painted Black Cone and Flange	

Exterior Cylinder Color

- BA** Brushed Aluminum
- BZ** Bronze
- BL** Matte Black
- WH** Matte White
- SVR** Silver

Notes:

- 1 Must select 2230TD with DMTW driver.
- 2 Must select either 2750T or 2765T with DMT driver
- 3 For lumen outputs/configurations available, see chart on page 3.
- 4 WT not needed for WC; BT not needed for BC.
- 5 CM standard cord color is Clear.
- 6 15L requires vented cylinder.

DRIVER/CONTROL OPTION AVAILABILITY

Driver and Control options listed below are available in the configurations and lumen packages as shown.

Driver/Control Option		Cylinder Mounting ¹	Integral Remote Driver ²	06L	10L	15L
DMT	0-10V 5%	W	Integral	●	●	▼
		S/P/CM	Integral	●	●	▼
DMTW	0-10V 5%	W	Integral	●	●	▼
		S/P/CM	Integral	●	●	▼

- ▼ Vented cylinder required, see line art for more details.
- 1 See Cylinder Mounting chart for details.
- 2 See line art for more details.
- 3 Not available with Controls.

Cylinder Mounting	
W	Wall Mount
S	Surface Mount
CM	Cable/Cord Mount
P	Pendant Mount

CONTROLS

SpectraSync™ Color Tuning Technology:

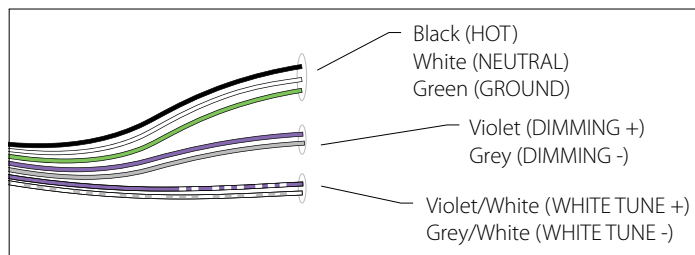
Control your space based on the needs of the application, specific activities throughout the day and preferences of the occupants with distinct SpectraSync™ Color Tuning Technologies.



SPECTRASYNCH COLOR TUNING TECHNOLOGY		
Mode	Kelvin Range	Description
Dim to Warm	2200K-3000K	Mimics the familiar warming effect that occurs with traditional incandescent sources as they are dimmed
Tunable White	2700K-5000K 2700K-6500K	Offers users the ability to tailor CCT to their personal preference, enhancing task visibility, material and colors or the aesthetics of the space
Scheduled White	2700K-5000K 2700K-6500K	Mimics the rhythm of natural light or follows an alternative user-defined schedule throughout the day, enhancing an occupant's mood and well-being

SpectraSync Tunable White

Available in two options: 2750T (2700K–5000K) or 2765T (2700K–6500K). Requires two 0–10V controllers, one for intensity and one for CCT. Minimum 5% dimming.

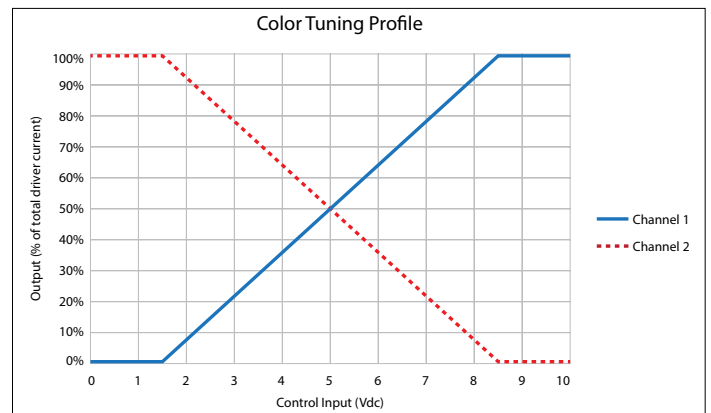


SpectraSync Tunable White luminaires are provided with two 0–10V circuits. The violet and grey circuit is for wiring to any qualified 0–10V controller for dimming. The violet/white and grey/white circuit is for wiring to any qualified 0–10V controller for Tunable White CCT control.

Controller Manufacturer Data

SpectraSync Tunable White was designed to be used with sinking style dimmers (provided by others) and is compatible with:

- Hubbell Control Solutions (HCS): NX Distributed Intelligence™ Room Controllers (NXRC) and In-fixture Controllers (NXFM)
- Lutron: DVTV, DVSTV, and NFTV dimmers
- Wattstopper: ADF120277 and CD4BL (Titan) dimmers



To enable scheduling and for use with NX wall control preset stations please refer to Hubbell Control Solutions NX SpectraSync technical sheet.

LTC-4SQD SpectraSync

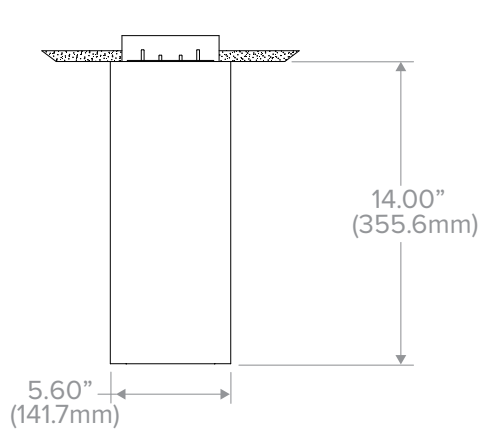
LITEISTRY 4" SQUARE CYLINDER WITH COLOR TUNING

DATE: _____ LOCATION: _____

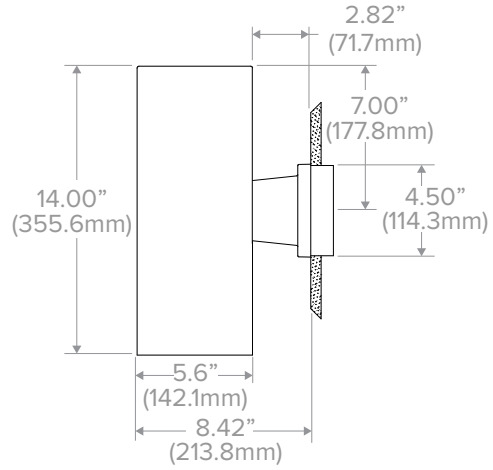
TYPE: _____ PROJECT: _____

CATALOG #: _____

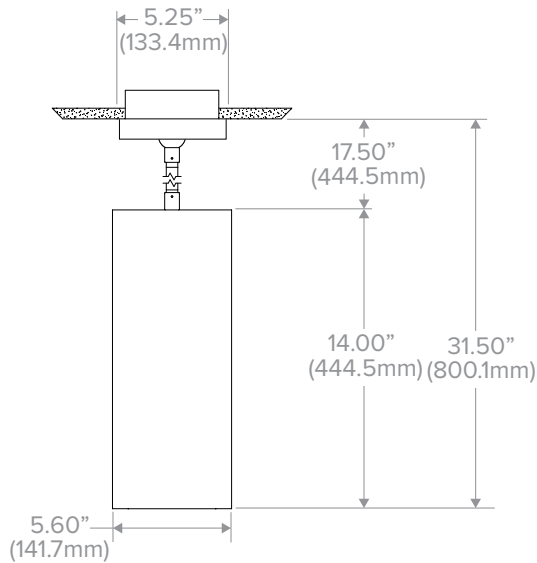
DIMENSIONS



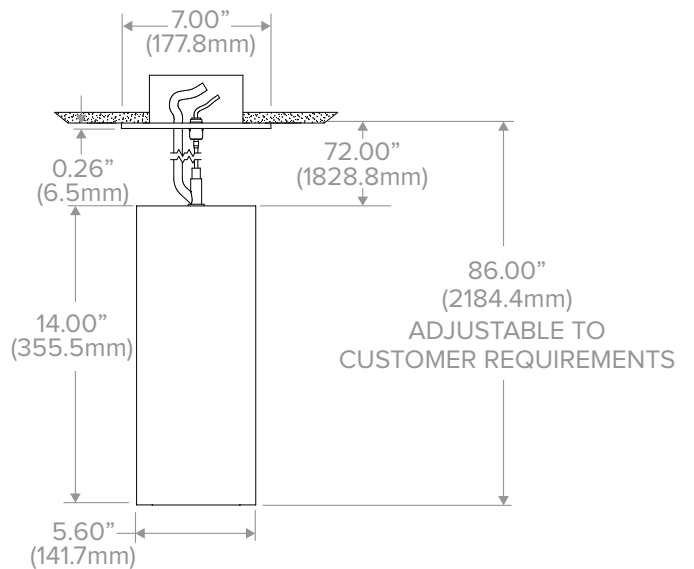
Integral Driver
Surface (-S)



Integral Driver
Wall (-W)



Integral Driver
Pendant (-P)

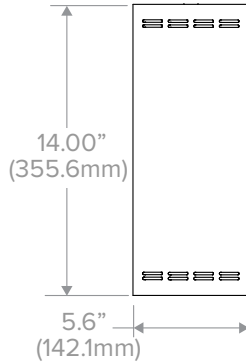


Integral Driver
Cord (-CM)

LTC-4SQD SpectraSync

LITEISTRY 4" SQUARE CYLINDER WITH COLOR TUNING

DIMENSIONS (CONTINUED)



Vented Detail View
All 15L
(All Mountings)

PHOTOMETRY

LTC-4SQD-P-15L2765T9NR-DMT-S-BL

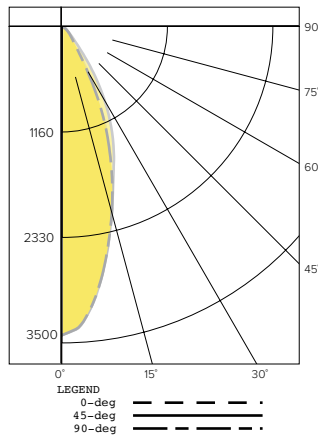
LUMINAIRE DATA

Test No.	R19.00949-C02
Description	1500 lm, Narrow, 3000K, 90 CRI
Delivered Lumens	1607
Watts	25.0W
Efficacy	64
Mounting	Pendant
Spacing Criterion	0.6
Beam Angle (FWHM)	37

ZONAL LUMEN SUMMARY

Zone	Lumens	% Luminaire
0-40	1511	94.0
0-60	1600	99.6
0-90	1607	100.0
0-180	1607	100.0

POLAR GRAPH



CANDELA DISTRIBUTION

Degree	Candela - 0	Candela - 45	Candela - 90
0	3252	3252	3252
5	3041	3042	3039
15	2012	2005	2003
25	949	1229	947
35	203	471	203
45	79	96	79
55	17	22	17
65	4	4	4
75	1	1	1
85	1	1	1
90	0	0	0

LTC-4SQD-P-15L2765T9MD-DMT-S-BL

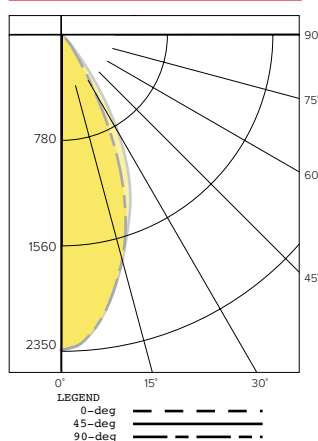
LUMINAIRE DATA

Test No.	R19.00950-C02
Description	1500 lm, Medium, 3000K, 90 CRI
Delivered Lumens	1516
Watts	25.0W
Efficacy	61
Mounting	Pendant
Spacing Criterion	0.8
Beam Angle (FWHM)	46

ZONAL LUMEN SUMMARY

Zone	Lumens	% Luminaire
0-40	1411	93.1
0-60	1509	99.6
0-90	1516	100.0
0-180	1516	100.0

POLAR GRAPH



CANDELA DISTRIBUTION

Degree	Candela - 0	Candela - 45	Candela - 90
0	2357	2357	2357
5	2268	2271	2270
15	1750	1760	1754
25	970	1209	977
35	250	507	255
45	84	106	85
55	18	23	18
65	4	4	3
75	1	2	1
85	1	1	1
90	0	0	0

LTC-4SQD SpectraSync

LITEISTRY 4" SQUARE CYLINDER WITH COLOR TUNING

PHOTOMETRY (CONTINUED)

LTC-4SQD-P-15L2765T9WD-DMT-S-BL

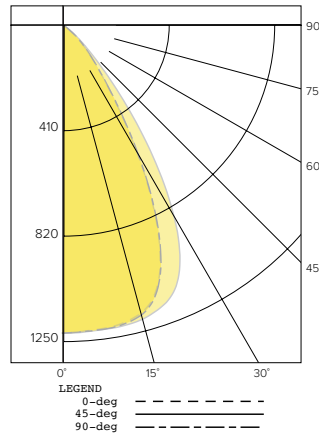
LUMINAIRE DATA

Test No.	R19.01045-C02
Description	1500 lm, Wide, 3000K, 90 CRI
Delivered Lumens	1335
Watts	25.0W
Efficacy	53
Mounting	Pendant
Spacing Criterion	1.0
Beam Angle (FWHM)	60

ZONAL LUMEN SUMMARY

Zone	Lumens	% Luminaire
0-40	1184	89.0
0-60	1327	99.4
0-90	1335	100.0
0-180	1335	100.0

POLAR GRAPH



CANDELA DISTRIBUTION

Degree	Candela - 0	Candela - 45	Candela - 90
0	1223	1223	1223
5	1217	1220	1219
15	1187	1211	1194
25	893	1092	900
35	352	602	358
45	122	165	123
55	24	33	25
65	4	5	4
75	2	2	2
85	1	1	1
90	0	0	0

LTC-4SQD-P-15L2765T9XW-DMT-S-BL

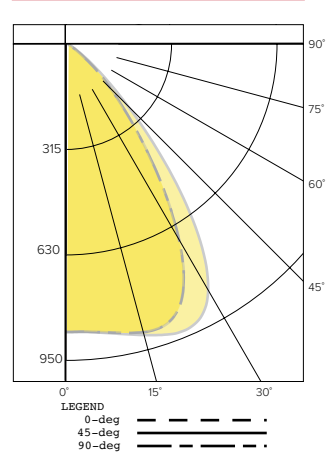
LUMINAIRE DATA

Test No.	R19.00952-C02
Description	1500lm, Extra Wide, 3000K, 90 CRI
Delivered Lumens	1302
Watts	25.0W
Efficacy	52
Mounting	Pendant
Spacing Criterion	1.2
Beam Angle (FWHM)	69

ZONAL LUMEN SUMMARY

Zone	Lumens	% Luminaire
0-40	1092	83.9
0-60	1293	99.3
0-90	1302	100.0
0-180	1302	100.0

POLAR GRAPH



CANDELA DISTRIBUTION

Degree	Candela - 0	Candela - 45	Candela - 90
0	879	879	879
5	882	884	882
15	911	920	911
25	838	937	836
35	476	684	474
45	174	242	174
55	31	47	31
65	5	6	5
75	2	3	2
85	1	1	1
90	0	0	0

LTC-4SQD SpectraSync

LITEISTRY 4" SQUARE CYLINDER WITH COLOR TUNING

DATE: _____ LOCATION: _____

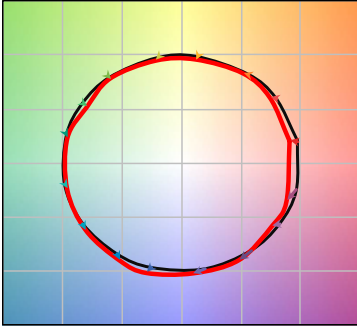
TYPE: _____ PROJECT: _____

CATALOG #: _____

TM-30 DATA

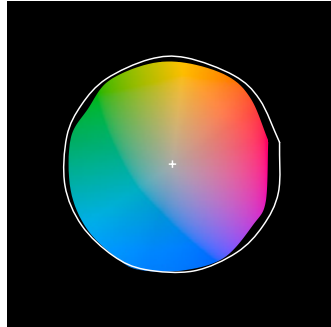
SPECTRASYNCTM TUNABLE WHITE (2765T)

COLOR VECTOR GRAPHIC
2700K, 90+ CRI

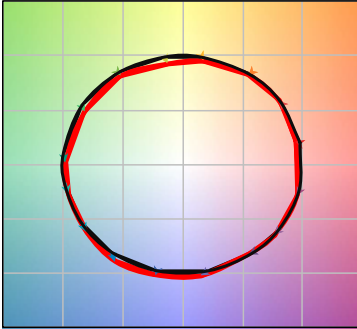


— Reference Illuminant — Test Source

COLOR DISTORTION GRAPHIC
2700K, 90+ CRI

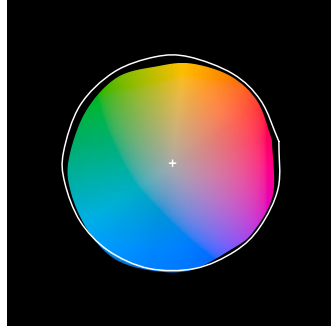


COLOR VECTOR GRAPHIC
4600K, 90+ CRI

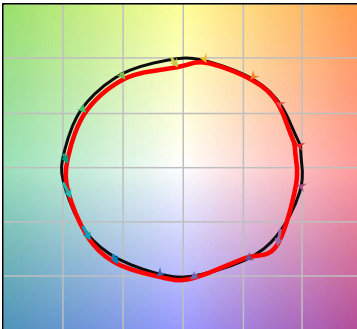


— Reference Illuminant — Test Source

COLOR DISTORTION GRAPHIC
4600K, 90+ CRI



COLOR VECTOR GRAPHIC
6500K, 90+ CRI



— Reference Illuminant — Test Source

COLOR DISTORTION GRAPHIC
6500K, 90+ CRI



TEST RESULTS - TUNABLE WHITE @ 1500 LUMENS (NOMINAL)			
Value	2700K	4600K	6500K
Luminous Flux (lm)	1407	1604	1660
Wattage (W)	23.9	24.3	24.6
Efficacy (lm/W)	59	66	68
R _f	90	89	87
R _g	97	98	96
CCT (K)	2817	4588	6518
D _{UV}	-0.0013	-0.0040	0.0018
x	0.4482	0.3565	0.3131
y	0.4047	0.3531	0.3273
CIE R _a	91	95	94
CIE R _g	47	81	76



LTC-4SQD SpectraSync

LITEISTRY 4" SQUARE CYLINDER WITH COLOR TUNING

DATE: _____ LOCATION: _____

TYPE: _____ PROJECT: _____

CATALOG #: _____

ELECTRICAL DATA

DRIVER DATA	
Input Voltage	120-277 V
Input Frequency	50/60 Hz
Power Factor	≥0.90
THD	<20%
EMI Filtering (FCC 47 CFR Part 15)	Class A
Operating Temperature	-20° C to 40° C

WATTAGE DATA		
Lumen Output	Nominal Lumens	WATTAGE
06L	600	10
10L	1000	18
15L	1500	25

* Wattage may vary based on configuration and options selected

ADDITIONAL INFORMATION

Central Inverters

For full fixture output in back-up mode, we recommend you visit www.dual-lite.com for your Central Lighting Inverter options. Please contact your local Hubbell representative for any assistance with proper sizing and loading of your inverter selection. Central lighting inverters must be ordered separately.

LiteGear: www.dual-lite.com/products/litegear_lg_series

LPS Series: www.dual-lite.com/products/lps