

LTC-6RDW SpectraSync

LITEISTRY 6" ROUND CYLINDER WITH COLOR TUNING

LITEISTRY™

FEATURES

- 6" architectural LED downlight and wall wash cylinder delivering 600 - 2500 lm
- 4 beam distributions from 0.3 to 1:1 Spacing Criteria
- Quiet reflector appearance with 50° optical cutoff
- SpectraSync™ Color Tuning technology allows the flexibility to tailor CCT to aesthetic preferences
- Available in Dim To Warm (2200K-3000K) or Tunable White (2700K-5000K or 2700K-6500K), 90+ CRI
- Available in Surface, Wall, Pendant, or Cord Mount configurations
- Standard with 0-10V dimming to 5%



(Select Models)



RELATED PRODUCTS

Ø 3" LITEISTRY Family

Ø 4" LITEISTRY Family

Ø 6" LITEISTRY Family

CONTROL TECHNOLOGY



SPECIFICATIONS

CONSTRUCTION

- Seamless heavy gauge aluminum cylinder body with a clean appearance
- Select from 4 durable powder coat paint architectural finishes or Brushed Aluminum
- Available in Surface, Wall, Pendant, or Cable/Cord mounting options
- Wall Mount: One piece die cast aluminum mounting arm
- Pendant Mount: Swivel canopy allows sloped ceiling mounting up to 45 degrees
- Integral driver versions allow direct mounting to a standard 4" octagonal or square junction box

OPTICS

- Visually pleasing 50° cutoff to source and source image
- The light distribution is free of distracting bright spots or pixelation and the perimeter has a smooth transition
- Optical grade silicone lens integral to light engine
- High purity spun aluminum reflector, self-flanged
- Large selection of anodized finishes and colors
- Painted cones and flange options available

ELECTRICAL

- LED array with 3 SDCM color consistency
- Dim to Warm (2200K-3000K) or Tunable White (2700-5000K or 2700K-6500K) options available
- 90+ CRI Standard
- Long LED life: L70 at >60,000 hrs (TM-21)
- Universal voltage 120V-277V driver
- UL Class 2, inherent short circuit and overload protection, RoHS compliant
- Flicker free 0-10V dimming to 5%

INSTALLATION

- Light Engine/Trim assembly is mechanically secured with torsion springs for ease of installation
- A quick connect is provided for easy maintenance or upgrade
- Refer to additional spec sheets for information on [standard LITEISTRY](#) or [PowerHUBB™ PoE enabled](#) solutions

CERTIFICATIONS

- cCSAus certified to UL 1598
- Wall Mount up to 10L: Suitable for wet locations
- Pendant Mount up to 10L: Suitable for wet locations under covered ceiling
- 15L-25L: Pendant & Wall, all Surface, Cord Mount and all Wall Wash: Suitable for damp locations
- This product qualifies as a "designated country construction material" per FAR 52.225-11 Buy American-Construction. Materials under Trade Agreements effective 6/6/2020. See [Buy American Solutions](#).

WARRANTY

- 5 year warranty
- See [HLI Standard Warranty](#) for additional information

KEY DATA	
Lumen Range	600-2500
Wattage Range	10-38
Efficacy Range (LPW)	49-60*
Reported Life (Hours)	L70 / >60,000
Input Current (mA)	83-317 (120V)

*Based on Specular, 30K, 90 CRI



LTC-6RDW SpectraSync

LITEISTRY 6" ROUND CYLINDER WITH COLOR TUNING

DATE: _____ LOCATION: _____

TYPE: _____ PROJECT: _____

CATALOG #: _____

ORDERING GUIDE

Example: LTC-6RD-P-15L2230TD9WD-DMTW-SS-WH

CATALOG #

LTC-6RD		Cylinder Mounting		Lumen Output		CCT		CRI		Distribution	
Aperture/Shape/Function											
LTC-6RD	6" Round Downlight Cylinder	S	Surface	06L	600 Lumens	2230TD	2200K-3000K SpectraSync™ Dim to Warm	9	90+ CRI	NR	Narrow (0.3 SC/18°)
LTC-6RW	6" Round Wall Wash Cylinder	W	Wall	10L	1000 Lumens					MD	Medium (0.6 SC/37°)
		P	Pendant (18" Stem Standard)	15L	1500 Lumens ⁶	2750T	2700K-5000K SpectraSync™ Tunable White			WD	Wide (0.9 SC/59°)
		CM	Cable/Cord (6 ft. Cord Standard) ⁵	20L	2000 Lumens ⁶	2765T	2700K-6500K SpectraSync™ Tunable White			XW	Extra Wide (1.1 SC/76°)
				25L	2500 Lumens ⁶					WW	Wall Wash

Driver Options		Voltage	Reflector Finish		Reflector Color	Flange Color Options		Exterior Cylinder Color		
DMTW	SpectraSync™ Dim to Warm, 0-10V Dimming to 5% ^{1,3}	Standard 120-277V	<i>Finish not applicable with painted reflectors (WC or BC)</i>		Standard Clear	<i>Standard matches reflector color</i>		BA	Brushed Aluminum	
DMT	SpectraSync™ Tunable White, 0-10V Dimming to 5% ^{2,3}		S	Specular	CG	Champagne Gold	WT	White Flange ⁴	BZ	Bronze
			SS	Semi-Specular	BL	Black	BT	Black Flange ⁴	BL	Matte Black
			MFC	American Matte™	LW	Light Wheat			WH	Matte White
			VS	Softglow®	PW	Pewter			SVR	Silver
			VSS	SoftSheen™	WC	Painted White Cone and Flange				
					BC	Painted Black Cone and Flange				

Notes:

- 1 Must select 2230TD with DMTW driver.
- 2 Must select either 2750T or 2765T with DMT driver.
- 3 For lumen outputs/configurations available, see chart on page 3.
- 4 WT not needed for WC, BT not needed for BC.
- 5 CM standard cord color is Clear.
- 6 15L-25L require vented cylinder.

LTC-6RDW SpectraSync

LITEISTRY 6" ROUND CYLINDER WITH COLOR TUNING

DRIVER/CONTROL OPTION AVAILABILITY

Driver and Control options listed below are available in the configurations and lumen packages as shown.

Driver/Control Option		Cylinder Mounting ¹	Integral Remote Driver ²	06L	10L	15L	20L	25L
DMT	0-10V 5%	W	Integral	●	●	▼	▼	▼
		S/P/CM	Integral	●	●	▼	▼	▼
DMTW	0-10V 5%	W	Integral	●	●	▼	▼	▼
		S/P/CM	Integral	●	●	▼	▼	▼

- ▼ Vented cylinder required, see line art for more details.
- 1 See Cylinder Mounting chart for details.
- 2 See line art for more details.

Cylinder Mounting	
W	Wall Mount
S	Surface Mount
CM	Cable/Cord Mount
P	Pendant Mount

CONTROLS

SpectraSync™ Color Tuning Technology:

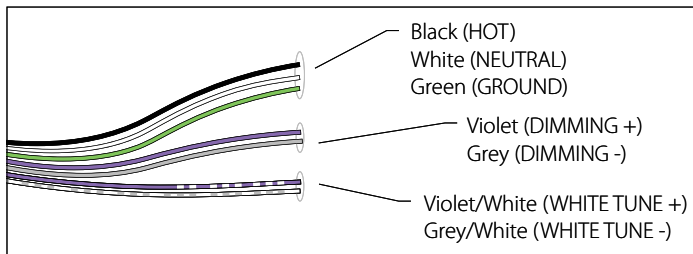
Control your space based on the needs of the application, specific activities throughout the day and preferences of the occupants with distinct SpectraSync™ Color Tuning Technologies.



SPECTRASYNCH COLOR TUNING TECHNOLOGY		
Mode	Kelvin Range	Description
Dim to Warm	2200K-3000K	Mimics the familiar warming effect that occurs with traditional incandescent sources as they are dimmed
Tunable White	2700K-5000K 2700K-6500K	Offers users the ability to tailor CCT to their personal preference, enhancing task visibility, material and colors or the aesthetics of the space
Scheduled White	2700K-5000K 2700K-6500K	Mimics the rhythm of natural light or follows an alternative user-defined schedule throughout the day, enhancing an occupant's mood and well-being

SpectraSync Tunable White

Available in two options: 2750T (2700K–5000K) or 2765T (2700K–6500K). Requires two 0–10V controllers, one for intensity and one for CCT. Minimum 5% dimming.

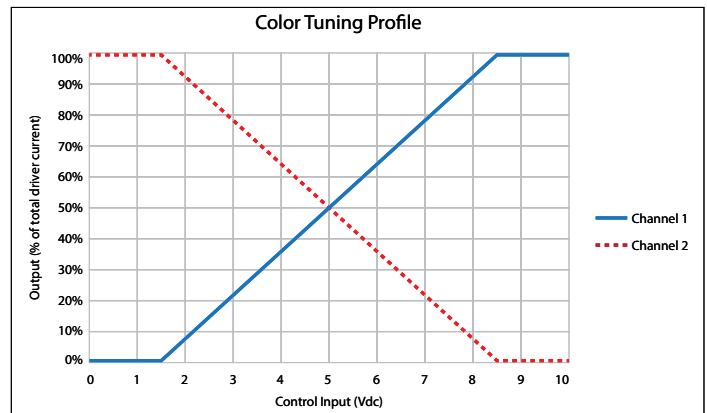


SpectraSync Tunable White luminaires are provided with two 0–10V circuits. The violet and grey circuit is for wiring to any qualified 0–10V controller for dimming. The violet/white and grey/white circuit is for wiring to any qualified 0–10V controller for Tunable White CCT control.

Controller Manufacturer Data

SpectraSync Tunable White was designed to be used with sinking style dimmers (provided by others) and is compatible with:

- Hubbell Control Solutions (HCS): NX Distributed Intelligence™ Room Controllers (NXRC) and In-fixture Controllers (NXFM)
- Lutron: DDTV, DVSTV, and NDTV dimmers
- Wattstopper: ADF120277 and CD4BL (Titan) dimmers



To enable scheduling and for use with NX wall control preset stations please refer to Hubbell Control Solutions NX SpectraSync technical sheet.

LTC-6RDW SpectraSync

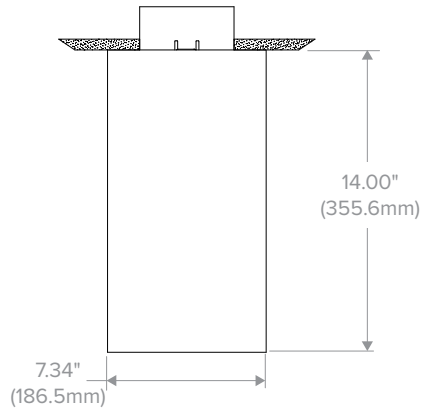
LITEISTRY 6" ROUND CYLINDER WITH COLOR TUNING

DATE: _____ LOCATION: _____

TYPE: _____ PROJECT: _____

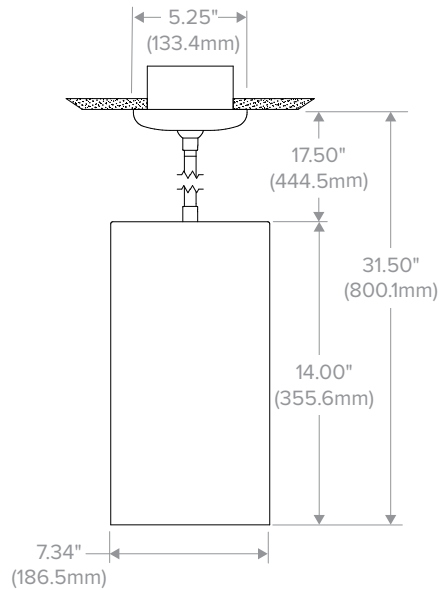
CATALOG #: _____

DIMENSIONS



Integral Driver

Surface (-S)



Integral Driver

Pendant (-P)

LTC-6RDW SpectraSync

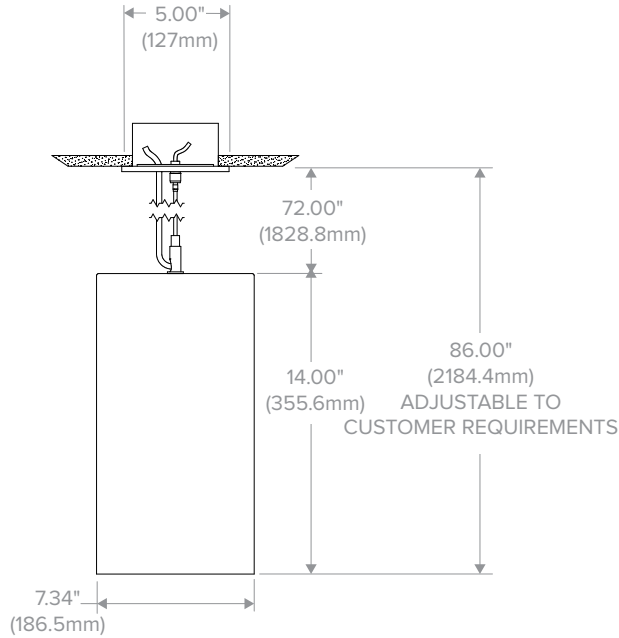
LITEISTRY 6" ROUND CYLINDER WITH COLOR TUNING

DATE: _____ LOCATION: _____

TYPE: _____ PROJECT: _____

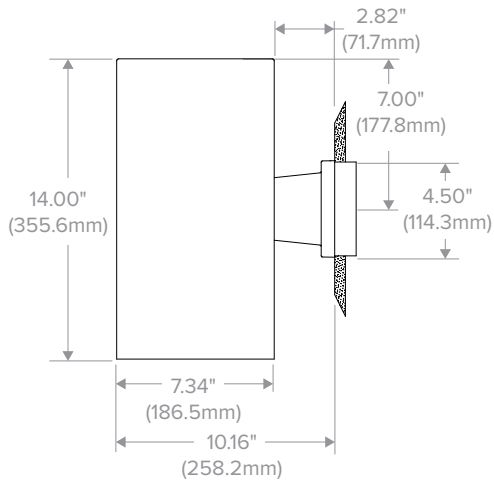
CATALOG #: _____

DIMENSIONS CONTINUED



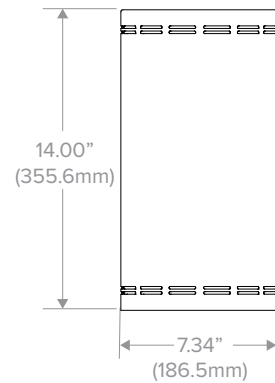
Integral Driver

Cord (-CM)



Integral Driver

Wall (-W)



Vented Detail View
(15L-25L)
(All Mountings)

LTC-6RDW SpectraSync

LITEISTRY 6" ROUND CYLINDER WITH COLOR TUNING

PHOTOMETRY

LTC-6RD-P-20L2765T9NR-DMT-S-BL

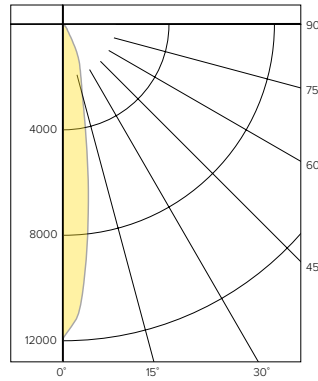
LUMINAIRE DATA

Test No.	R19.02201-C02
Description	2000 lm, Narrow, 3000K, 90 CRI
Delivered Lumens	2146
Watts	35.2W
Efficacy	61.0
Mounting	Recessed
Spacing Criterion	0.4
Beam Angle (FWHM)	18

ZONAL LUMEN SUMMARY

Zone	Lumens	% Luminaire
0-40	2083	97.1
0-60	2146	100.0
0-90	2146	100.0
0-180	2146	100.0

POLAR GRAPH



CANDELA DISTRIBUTION

Degree	Candela
0	7976
5	6898
15	2784
25	1179
35	263
45	72
55	0
65	0
75	0
85	0
90	0

LUMINANCE DATA*

Vertical Angle	Average
45°	6072
55°	0
65°	0
75°	0
85°	0

*Candela/Square Meter

LTC-6RD-P-20L2765T9MD-DMT-S-BL

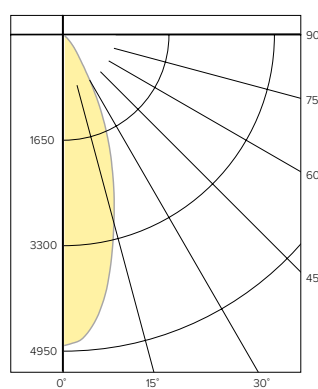
LUMINAIRE DATA

Test No.	R19.02200-C02
Description	2000 lm, Medium, 3000K, 90 CRI
Delivered Lumens	2077
Watts	35.4W
Efficacy	59.0
Mounting	Recessed
Spacing Criterion	0.6
Beam Angle (FWHM)	37

ZONAL LUMEN SUMMARY

Zone	Lumens	% Luminaire
0-40	1992	95.9
0-60	2074	99.9
0-90	2077	100.0
0-180	2077	100.0

POLAR GRAPH



CANDELA DISTRIBUTION

Degree	Candela
0	4221
5	4036
15	2741
25	1362
35	369
45	91
55	6
65	2
75	1
85	0
90	0

LUMINANCE DATA*

Vertical Angle	Average
45°	7675
55°	624
65°	282
75°	230
85°	0

*Candela/Square Meter

LTC-6RD-P-20L2765T9WD-DMT-S-BL

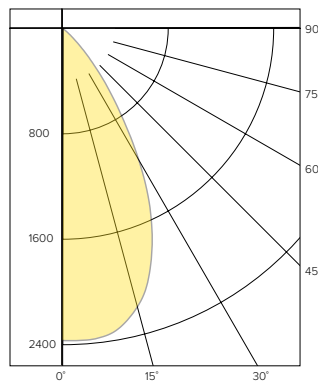
LUMINAIRE DATA

Test No.	R19.02199-C02
Description	2000 lm, Wide, 3000K, 90 CRI
Delivered Lumens	1989
Watts	35.3W
Efficacy	56.0
Mounting	Recessed
Spacing Criterion	0.9
Beam Angle (FWHM)	59

ZONAL LUMEN SUMMARY

Zone	Lumens	% Luminaire
0-40	1833	92.1
0-60	1985	99.8
0-90	1989	100.0
0-180	1989	100.0

POLAR GRAPH



CANDELA DISTRIBUTION

Degree	Candela
0	2069
5	2080
15	1973
25	1454
35	677
45	168
55	10
65	3
75	1
85	0
90	0

LUMINANCE DATA*

Vertical Angle	Average
45°	14168
55°	1040
65°	423
75°	230
85°	0

*Candela/Square Meter

LTC-6RDW SpectraSync

LITEISTRY 6" ROUND CYLINDER WITH COLOR TUNING

PHOTOMETRY CONTINUED

LTC-6RD-P-20L2765T9XW-DMT-S-BL

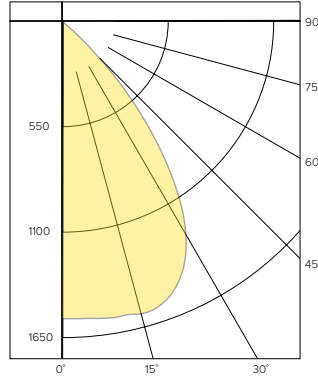
LUMINAIRE DATA

Test No.	R19.00586-C02
Description	2000 lm, Extra Wide, 3000K, 90 CRI
Delivered Lumens	1951
Watts	35.3W
Efficacy	55.0
Mounting	Recessed
Spacing Criterion	1.1
Beam Angle (FWHM)	76

ZONAL LUMEN SUMMARY

Zone	Lumens	% Luminaire
0-40	1711	87.7
0-60	1946	99.8
0-90	1951	100.0
0-180	1951	100.0

POLAR GRAPH



CANDELA DISTRIBUTION

Degree	Candela
0	1411
5	1416
15	1437
25	1333
35	919
45	275
55	8
65	3
75	1
85	0
90	0

LUMINANCE DATA*

Vertical Angle	Average
45°	23154
55°	853
65°	386
75°	210
85°	0

*Candela/Square Meter

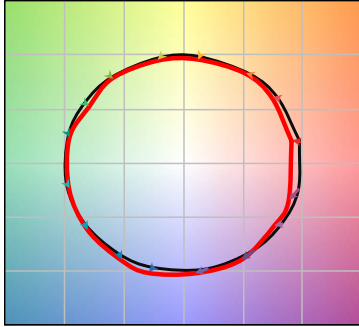
LTC-6RDW SpectraSync

LITEISTRY 6" ROUND CYLINDER WITH COLOR TUNING

TM-30 DATA

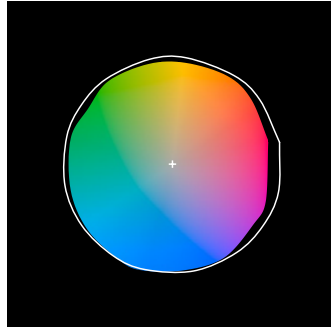
SPECTRASYNCTM TUNABLE WHITE (2765T)

COLOR VECTOR GRAPHIC
2700K, 90+ CRI

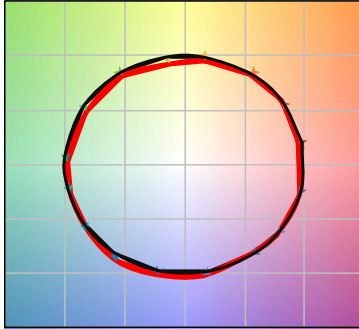


— Reference Illuminant — Test Source

COLOR DISTORTION GRAPHIC
2700K, 90+ CRI

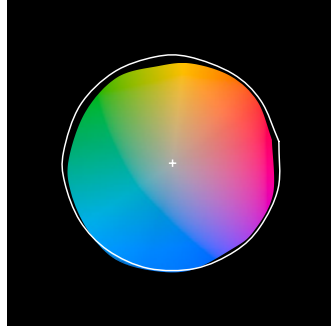


COLOR VECTOR GRAPHIC
4600K, 90+ CRI

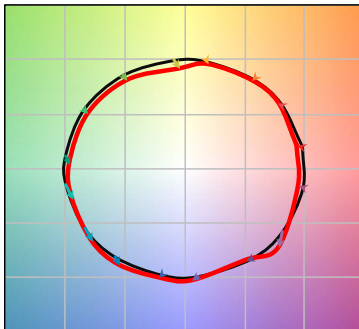


— Reference Illuminant — Test Source

COLOR DISTORTION GRAPHIC
4600K, 90+ CRI

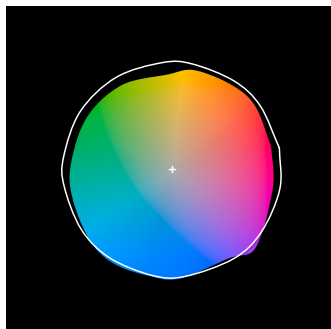


COLOR VECTOR GRAPHIC
6500K, 90+ CRI



— Reference Illuminant — Test Source

COLOR DISTORTION GRAPHIC
6500K, 90+ CRI



TEST RESULTS - TUNABLE WHITE @ 1500 LUMENS (NOMINAL)			
Value	2700K	4600K	6500K
Luminous Flux (lm)	1407	1604	1660
Wattage (W)	23.9	24.3	24.6
Efficacy (lm/W)	59	66	68
R_f	90	89	87
R_g	97	98	96
CCT (K)	2817	4588	6518
D_{UV}	-0.0013	-0.0040	0.0018
x	0.4482	0.3565	0.3131
y	0.4047	0.3531	0.3273
CIE R_a	91	95	94
CIE R_g	47	81	76

LTC-6RDW SpectraSync

LITEISTRY 6" ROUND CYLINDER WITH COLOR TUNING

DATE: _____ LOCATION: _____

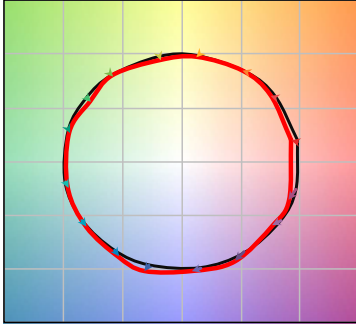
TYPE: _____ PROJECT: _____

CATALOG #: _____

TM-30 DATA CONTINUED

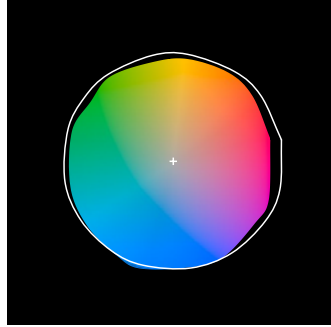
SPECTRASYNCTM DIM TO WARM (2230TD)

COLOR VECTOR GRAPHIC
3000K, 90+ CRI @ 100%

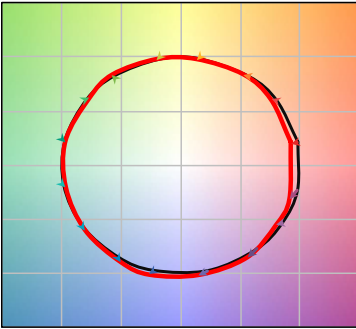


— Reference Illuminant — Test Source

COLOR DISTORTION GRAPHIC
3000K, 90+ CRI @ 100%

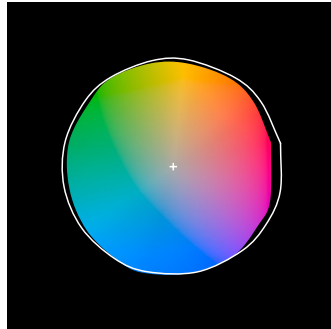


COLOR VECTOR GRAPHIC
2600K, 90 CRI @ 50% DIM

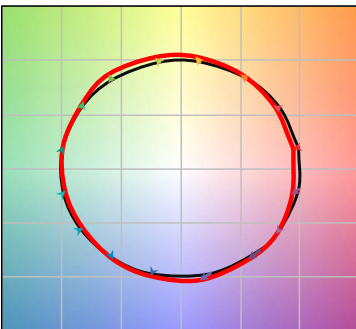


— Reference Illuminant — Test Source

COLOR DISTORTION GRAPHIC
2600K, 90 CRI @ 50% DIM

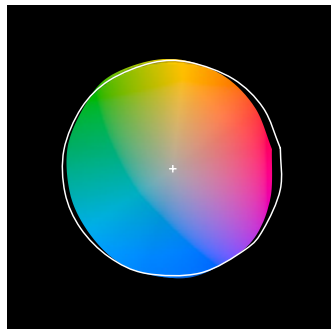


COLOR VECTOR GRAPHIC
2200K, 90 CRI @ 5% DIM



— Reference Illuminant — Test Source

COLOR DISTORTION GRAPHIC
2200K, 90 CRI @ 5% DIM



TEST RESULTS - DIM TO WARM @ 3 DIMMING LEVELS			
Value	100%	50% Dim	5% Dim
Luminous Flux (lm)	1501	772	53
Wattage (W)	24.3	14	3.4
Efficacy (lm/W)	62	55	16
R _t	90	92	91
R _g	97	99	102
CCT (K)	3123	2590	2282
D _{uv}	-0.0017	-0.0015	-0.0029
x	0.4261	0.4662	0.4907
y	0.3965	0.4082	0.4068
CIE R _a	92	93	93
CIE R _g	53	60	64



LTC-6RDW SpectraSync

LITEISTRY 6" ROUND CYLINDER WITH COLOR TUNING

DATE: _____ LOCATION: _____

TYPE: _____ PROJECT: _____

CATALOG #: _____

ELECTRICAL DATA

DRIVER DATA	
Input Voltage	120-277 V
Input Frequency	50/60 Hz
Power Factor	≥0.90
THD	<20%
EMI Filtering (FCC 47 CFR Part 15)	Class A

WATTAGE DATA		
Lumen Output	Nominal Lumens	WATTAGE
06L	600	10
10L	1000	18
15L	1500	25
20L	2000	36
25L	2500	38

* Wattage may vary based on configuration and options selected

ADDITIONAL INFORMATION

Central Inverters

For full fixture output in back-up mode, we recommend you visit www.dual-lite.com for your Central Lighting Inverter options. Please contact your local Hubbell representative for any assistance with proper sizing and loading of your inverter selection. Central lighting inverters must be ordered separately.

LiteGear: www.dual-lite.com/products/litegear_lg_series

LPS Series: www.dual-lite.com/products/lps