

# LTR-6RW Open SpectraSync

LITEISTRY 6" ROUND OPEN WALL WASH (WW/DWW/CWW) WITH COLOR TUNING

LITEISTRY™

## FEATURES

- 6" architectural LED wall wash delivering 600-3000 lm
- Single, double and corner wall wash solutions
- Provides uniform vertical illumination as well as room side light
- Quiet reflector appearance with 50° optical cutoff
- SpectraSync™ Color Tuning technology allows the flexibility to tailor CCT to aesthetic preferences
- Available in Dim to Warm (2200K-3000K) or Tunable White (2700K-5000K or 2700K-6500K), 90+ CRI
- Available in New Construction (non-IC), IC and Chicago Plenum applications
- Standard with 0-10V dimming to 5%
- NX Distributed Intelligence™ wired and wireless controls capability available



## RELATED PRODUCTS

Ø 3" LITEISTRY Family

Ø 4" LITEISTRY Family

Ø 6" LITEISTRY Family



## CONTROL TECHNOLOGY



## SPECIFICATIONS

### CONSTRUCTION

- Painted black durable steel platform with pre-installed bar hangers
- Pre-wired junction box with snap-on covers for easy access
- Snap-in connection from driver compartment allows easy installation
- Light Engine connections use plenum rated (CMP) cable

### OPTICS

- Visually pleasing 50° cutoff to source and source image
- Open cone and kicker reflector assembly with an optical grade silicone lens integral to light engine
- Available in Single, Double, and Corner wall wash distributions
- Provides excellent uniformity down the wall while also contributing to room side lighting
- The light distribution is free of distracting bright spots or pixelation and the perimeter has a smooth transition
- High purity spun aluminum reflector, self-flanged
- Flush mount flange option with mud-in ring available
- Large selection of anodized finishes and colors
- Painted cones and flange options available

### ELECTRICAL

- LED array with 3 SDCM color consistency
- Dim to Warm (2200K-3000K) or Tunable White (2700K-5000K or 2700K-6500K) options available
- 90+ CRI standard
- Long LED life: L70 at > 60,000 hours (TM-21)
- Universal voltage 120V–277V driver
- UL Class 2, inherent short circuit and overload protection, RoHS compliant
- Flicker free 0–10V dimming to 5%
- NX or Lutron Vive control options available
- Emergency battery pack option available with remote test switch and indicator light
- Refer to additional spec sheets for information on [standard LITEISTRY](#) or [PowerHUBB™ PoE enabled](#) solutions

### INSTALLATION

- Accommodates ceiling thickness up to 2" (WW/DWW); up to 1.25" (CWW)
- Universal adjustable mounting brackets also accept 0.25" EMT conduit or 1.50" or 0.75" lathing channel (by others) or Prescolite accessory bar hangers (B24 or B6)
- Light engine/driver fully serviceable from above or below the ceiling

### CERTIFICATIONS

- cCSAus certified to UL 1598
- Suitable for damp locations
- EMR: Certified under UL 924 standard for emergency lighting and power equipment
- Approved for 8 (4 in/4 out) No. 12AWG conductors rated for 90°C through wiring
- This product qualifies as a "designated country construction material" per FAR 52.225-11 Buy American-Construction. Materials under Trade Agreements effective 6/6/2020. See [Buy American Solutions](#).

### WARRANTY

- 5 year warranty
- See [HLI Standard Warranty](#) for additional information

KEY DATA	
Lumen Range	600-3000
Wattage Range	10-49
Efficacy Range (LPW)	57*
Reported Life (Hours)	L70 / >60,000
Input Current (mA)	83-408 (120V)

\*Based on Specular, 30K, 90 CRI



DATE: \_\_\_\_\_ LOCATION: \_\_\_\_\_

TYPE: \_\_\_\_\_ PROJECT: \_\_\_\_\_

CATALOG #: \_\_\_\_\_

# LTR-6RW Open SpectraSync

LITEISTRY 6" ROUND OPEN WALL WASH (WW/DWW/CWW)  
WITH COLOR TUNING

## ORDERING GUIDE

**Example:** LTR-6RD-H-SL10L-DMTW-LTR-6RW-T-SL2230TD9WW-S

CATALOG #

### HOUSING

LTR-6RD-H		Lumen Package		Lumen Output		Driver Options		Control Options		Voltage	Housing Options					
Aperture/Shape/Function		SL	ML	HL	06L	10L	DMTW	DMT	NXE	NXWE	NXWD	LV	CP	IC	EMR	F
LTR-6RD-H	6" Round Downlight/ WW/ DWW Wall Wash New Construction Housing	Standard Lumen	Medium Lumen	High Lumen	600	1000	SpectraSync™ Dim to Warm, 0-10V Dimming to 5% <sup>1</sup>	SpectraSync™ Tunable White, 0-10V Dimming to 5% <sup>2</sup>	NXE NX Enabled, Dual SmartPorts	NXWE NX Wireless Enabled	NXWD NX Wireless Enabled, Dual SmartPorts	LV Lutron Vive Enabled, 0-10V <sup>6</sup>	Standard 120-277V	Chicago Plenum <sup>8,9,10</sup>	Emergency Battery Pack with remote test switch and indicator light <sup>8,10</sup>	Fuse <sup>8</sup>
		2000	2500	3000	IC rated <sup>8,9,10</sup>											
		2000	2500	3000												
LTR-6RCW-H	6" Round Corner Wall Wash Housing <sup>7</sup>															

### TRIM

LTR-6RW-T		Lumen Package		CCT	CRI	Distribution					
Aperture/Shape/Function		SL	ML	HL	2230TD	2750T	2765T	WW	DWW	CWW	
LTR-6RW-T	6" Round Wall Wash Light Engine/Trim Assembly	Standard Lumen	Medium Lumen	High Lumen	2200K-3000K SpectraSync™ Dim to Warm	2700K-5000K SpectraSync™ Tunable White	2700K-6500K SpectraSync™ Tunable White	90+CRI	Single Wall Wash	Double Wall Wash	Corner Wall Wash <sup>7</sup>

### TRIM CONTINUED

Reflector Finish	Reflector Color	Flange Color Options	Lower Trim Options	Reflector Options
<i>Finish not applicable with painted reflectors (WC or BC)</i>	<i>Standard Clear</i>	<i>Standard matches reflector color</i>	<b>FM</b> Flush Mount Mud-in Ring <sup>3</sup>	<b>AM</b> Antimicrobial Coating <sup>5</sup>
<b>S</b> Specular	<b>CG</b> Champagne Gold	<b>WT</b> White Flange <sup>4</sup>		
<b>SS</b> Semi-Specular	<b>BL</b> Black	<b>BT</b> Black Flange <sup>4</sup>		
<b>MFC</b> American Matte™	<b>LW</b> Light Wheat			
<b>VS</b> Softglow®	<b>PW</b> Pewter			
<b>VSS</b> SoftSheen™	<b>WC</b> Painted White Cone and Flange			
	<b>BC</b> Painted Black Cone and Flange			

### Accessories

- B24** Set of two (2) 24" bar hangers for T-bar ceilings
- B6** Set of two bar hangers for ceiling joist up to 24" centers
- FMR6-R** Flush Mount Mud-In Ring, 6" Round
- LiteGear** LiteGear® Inverter, 125VA-250VA
- LPS Series** LightPower Micro-Inverter, 20VA-55VA
- MOR6-R-WH** Metal Oversized Ring, 6" Round, White (10" outside diameter)
- MOR6-R-BL** Metal Oversized Ring, 6" Round, Black (10" outside diameter)

#### Notes:

- 1 Must select 2230TD with DMTW driver.
- 2 Must select either 2750T or 2765T with DMT driver.
- 3 Flush Mount Flange (FM) requires FMR accessory (sold separately).
- 4 WT not needed for WC, BT not needed for BC.
- 5 AM available with WC or Specular Clear (S or SWT). Consult factory for other colors.
- 6 Available only with DMTW driver option; up to 20L
- 7 CWW must use LTR-6RCW-H housing
- 8 Housing options (except Fuse) not available in combination.
- 9 IC, CP available in 06L.
- 10 Not available with Control options.

# LTR-6RW Open SpectraSync

LITEISTRY 6" ROUND OPEN WALL WASH (WW/DWW/CWW)  
WITH COLOR TUNING

## CONTROLS

### NX Distributed Intelligence™ Lighting Controls:

Supports applications in a variety of deployment options- wired, wireless, hybrid. Integrates with and enables a wide array of luminaires including those with SpectraSync™ Color Tuning Technology.



NX INTEGRATED CONTROLS REFERENCE								
NX Option	Sensor	Networkable	Scheduling	Occupancy	Daylight Harvesting	0-10V Dimming	On/off Control	Bluetooth® App Programming
<b>NX Networked – Wired</b>								
NXE	N/A	Yes	Yes	No	No	Yes	Yes	Requires <a href="#">NXBTC/R</a> <sup>1</sup>
<b>NX Networked – Wireless</b>								
NXWE <sup>2</sup>	N/A	Yes	Yes	No	No	Yes	Yes	No <sup>3</sup>
<b>NX Networked – Wired/Wireless</b>								
NXWD	N/A	Yes	Yes	No	No	Yes	Yes	Requires <a href="#">NXBTC/R</a> <sup>1,3</sup>

- 1 NXBTC/R needs to be plugged into an available NX SmartPort™ on the fixture network
- 2 Programming via App requires factory assistance
- 3 To program NXWE option, need to consult factory. If connected to an area controller, programming can be done from that

### SpectraSync™ Color Tuning Technology:

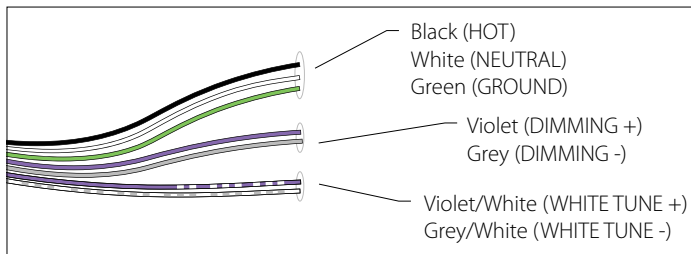
Control your space based on the needs of the application, specific activities throughout the day and preferences of the occupants with distinct SpectraSync™ Color Tuning Technologies.



SPECTRASYNCH COLOR TUNING TECHNOLOGY		
Mode	Kelvin Range	Description
Dim to Warm	2200K-3000K	Mimics the familiar warming effect that occurs with traditional incandescent sources as they are dimmed
Tunable White	2700K-5000K 2700K-6500K	Offers users the ability to tailor CCT to their personal preference, enhancing task visibility, material and colors or the aesthetics of the space
Scheduled White	2700K-5000K 2700K-6500K	Mimics the rhythm of natural light or follows an alternative user-defined schedule throughout the day, enhancing an occupant's mood and well-being

### SpectraSync Tunable White

Available in two options: 2750T (2700K–5000K) or 2765T (2700K–6500K). Requires two 0–10V controllers, one for intensity and one for CCT. Minimum 5% dimming.

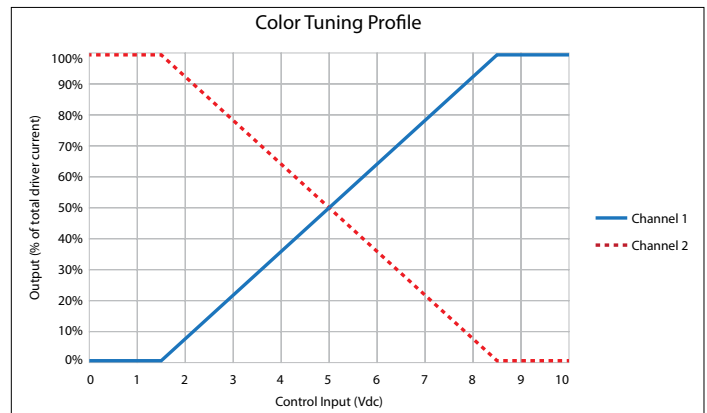


SpectraSync Tunable White luminaires are provided with two 0–10V circuits. The violet and grey circuit is for wiring to any qualified 0–10V controller for dimming. The violet/white and grey/white circuit is for wiring to any qualified 0–10V controller for Tunable White CCT control.

### Controller Manufacturer Data

SpectraSync Tunable White was designed to be used with sinking style dimmers (provided by others) and is compatible with:

- Hubbell Control Solutions (HCS): NX Distributed Intelligence™ Room Controllers (NXRC) and In-fixture Controllers (NXFM)
- Lutron: DVTV, DVSTV, and NFTV dimmers
- Wattstopper: ADF120277 and CD4BL (Titan) dimmers

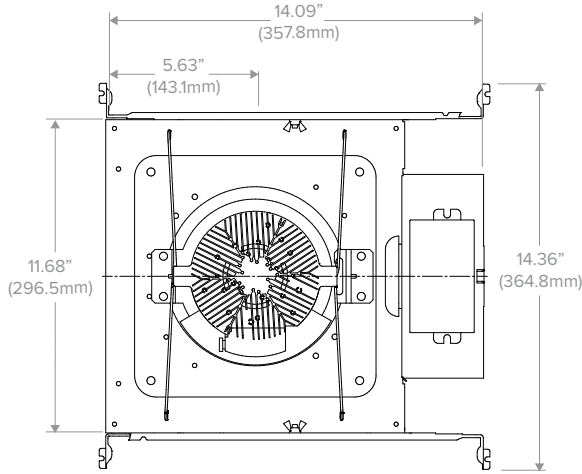


To enable scheduling and for use with NX wall control preset stations please refer to Hubbell Control Solutions NX SpectraSync technical sheet.

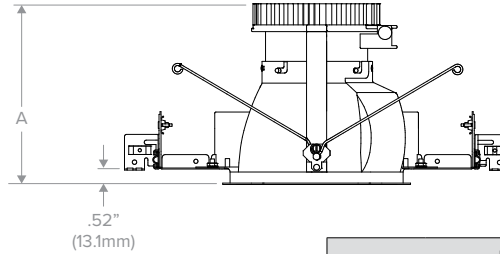
# LTR-6RW Open SpectraSync

LITEISTRY 6" ROUND OPEN WALL WASH (WW/DWW/CWW)  
WITH COLOR TUNING

## DIMENSIONS



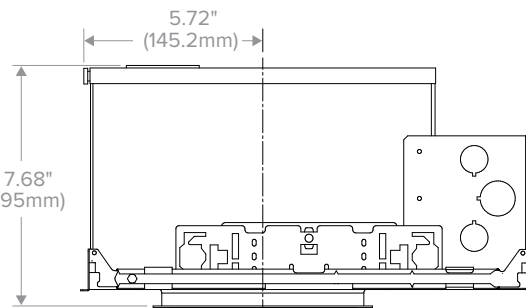
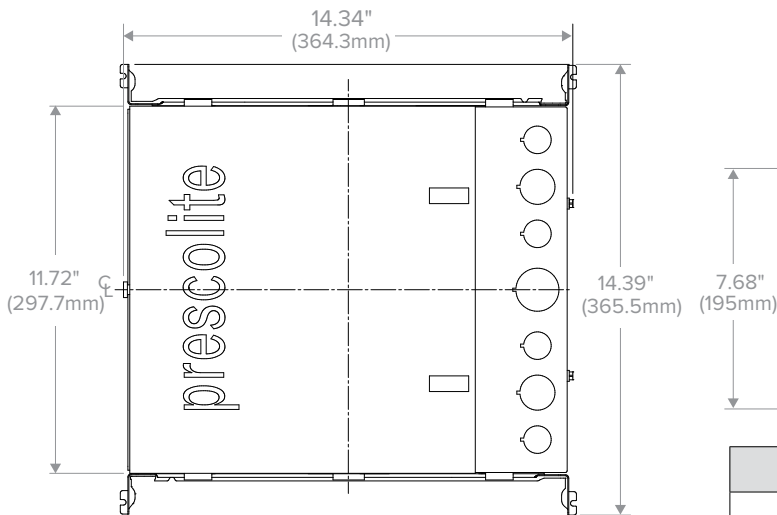
Top View



Lumen Package	"A"
06L-10L	5.90" (149.9mm)
15L-20L	7.86" (199.6mm)
25L-30L	9.04" (229.6mm)

Dimensional Data		
Aperture		5.75" (146.1mm)
Flange:	Standard	7.00" (177.8mm)
	Flush Mount	6.54" (166.0mm)
Ceiling Cutout:	Standard	6.50" (165.1mm)
	Flush Mount	6.75" (171.5mm)
Ceiling Thickness:		WW/DWW: 0.50" to 2.00" (12.7mm to 50.8mm) CWW: 0.50" to 1.25" (12.7mm to 31.8mm)

LTR-6RW-H New Construction



Dimensional Data		
Aperture		5.75" (146.1mm)
Flange:	Standard	7.00" (177.8mm)
	Flush Mount	6.54" (166.0mm)
Ceiling Cutout:	Standard	6.50" (165.1mm)
	Flush Mount	6.75" (171.5mm)
Ceiling Thickness:	WW/DWW	0.50" to 2.00" (12.7mm to 50.8mm)
	CWW	0.50" to 1.25" (12.7mm to 31.8mm)

LTR-6RW-H-IC/CP

# LTR-6RW Open SpectraSync

LITEISTRY 6" ROUND OPEN WALL WASH (WW/DWW/CWW)  
WITH COLOR TUNING

## PHOTOMETRY

LTR-6RD-H-ML20L-DMTW / LTR-6RW-T-ML2230TD9WWS

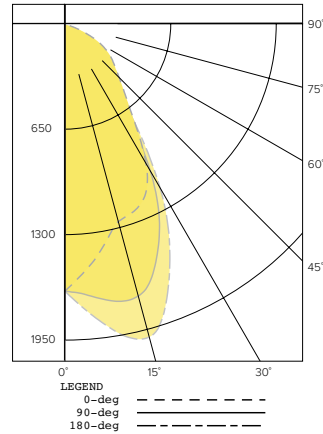
### LUMINAIRE DATA

Test No.	R19.00862-20
Description	Single Wall Wash, 2000 lm, 3000K, 90 CRI
Delivered Lumens	2017
Watts	35.3W
Efficacy	57.0
Mounting	Recessed

### ZONAL LUMEN SUMMARY

Zone	Lumens	% Luminaire
0-40	1680	83.3
0-60	2015	96.9
0-90	2017	100.0
0-180	2017	100.0

### POLAR GRAPH



### CANDELA DISTRIBUTION

Degree	Candela
0	1620
5	1495
15	1243
25	1150
35	755
45	474
55	341
65	193
75	57
85	6
90	0

### LUMINANCE DATA\*

Vertical Angle	Average
45°	40013
55°	35478
65°	27294
75°	13034
85°	4370

\*Candela/Square Meter

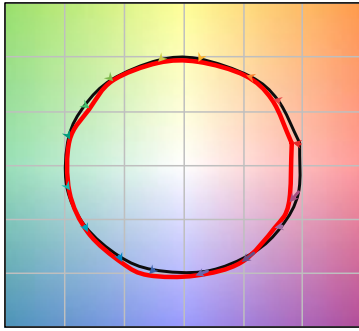
# LTR-6RW Open SpectraSync

LITEISTRY 6" ROUND OPEN WALL WASH (WW/DWW/CWW)  
WITH COLOR TUNING

## TM-30 DATA

### SPECTRASYNCTM TUNABLE WHITE (2765T)

COLOR VECTOR GRAPHIC  
2700K, 90+ CRI

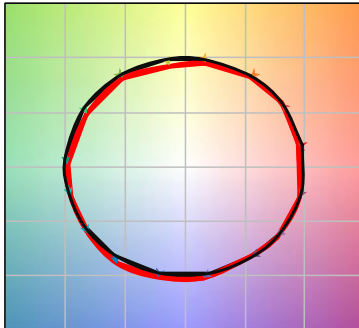


— Reference Illuminant — Test Source

COLOR DISTORTION GRAPHIC  
2700K, 90+ CRI



COLOR VECTOR GRAPHIC  
4600K, 90+ CRI

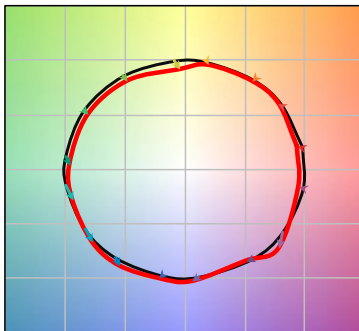


— Reference Illuminant — Test Source

COLOR DISTORTION GRAPHIC  
4600K, 90+ CRI



COLOR VECTOR GRAPHIC  
6500K, 90+ CRI



— Reference Illuminant — Test Source

COLOR DISTORTION GRAPHIC  
6500K, 90+ CRI



TEST RESULTS - TUNABLE WHITE @ 1500 LUMENS (NOMINAL)			
Value	2700K	4600K	6500K
Luminous Flux (lm)	1407	1604	1660
Wattage (W)	23.9	24.3	24.6
Efficacy (lm/W)	59	66	68
R <sub>f</sub>	90	89	87
R <sub>g</sub>	97	98	96
CCT (K)	2817	4588	6518
D <sub>uv</sub>	-0.0013	-0.0040	0.0018
x	0.4482	0.3565	0.3131
y	0.4047	0.3531	0.3273
CIE R <sub>a</sub>	91	95	94
CIE R <sub>g</sub>	47	81	76

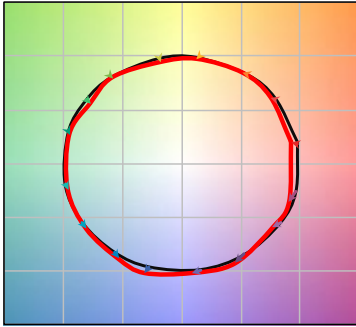
# LTR-6RW Open SpectraSync

LITEISTRY 6" ROUND OPEN WALL WASH (WW/DWW/CWW)  
WITH COLOR TUNING

## TM-30 DATA CONTINUED

### SPECTRASYNCTM DIM TO WARM (2230TD)

**COLOR VECTOR GRAPHIC**  
3000K, 90+ CRI @ 100%

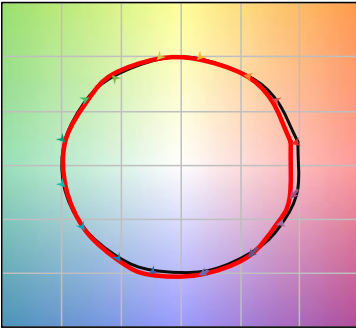


— Reference Illuminant — Test Source

**COLOR DISTORTION GRAPHIC**  
3000K, 90+ CRI @ 100%



**COLOR VECTOR GRAPHIC**  
2600K, 90 CRI @ 50% DIM

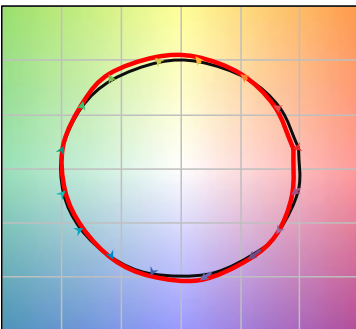


— Reference Illuminant — Test Source

**COLOR DISTORTION GRAPHIC**  
2600K, 90 CRI @ 50% DIM

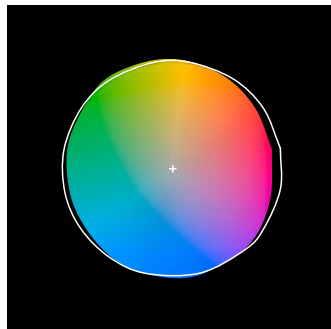


**COLOR VECTOR GRAPHIC**  
2200K, 90 CRI @ 5% DIM



— Reference Illuminant — Test Source

**COLOR DISTORTION GRAPHIC**  
2200K, 90 CRI @ 5% DIM



TEST RESULTS - DIM TO WARM @ 3 DIMMING LEVELS			
Value	100%	50% Dim	5% Dim
Luminous Flux (lm)	1501	772	53
Wattage (W)	24.3	14	3.4
Efficacy (lm/W)	62	55	16
R <sub>f</sub>	90	92	91
R <sub>g</sub>	97	99	102
CCT (K)	3123	2590	2282
D <sub>uv</sub>	-0.0017	-0.0015	-0.0029
x	0.4261	0.4662	0.4907
y	0.3965	0.4082	0.4068
CIE R <sub>a</sub>	92	93	93
CIE R <sub>g</sub>	53	60	64



DATE: \_\_\_\_\_ | LOCATION: \_\_\_\_\_

TYPE: \_\_\_\_\_ | PROJECT: \_\_\_\_\_

CATALOG #: \_\_\_\_\_

# LTR-6RW Open SpectraSync

LITEISTRY 6" ROUND OPEN WALL WASH (WW/DWW/CWW)  
WITH COLOR TUNING

## ELECTRICAL DATA

DRIVER DATA	
Input Voltage	120-277 V
Input Frequency	50/60 Hz
Power Factor	≥0.90
THD	<20%
EMI Filtering (FCC 47 CFR Part 15)	Class A

WATTAGE DATA		
Lumen Output	Nominal Lumens	WATTAGE
06L	600	10
10L	1000	18
15L	1500	25
20L	2000	36
25L	2500	38
30L	3000	49

\* Wattage may vary based on configuration and options selected

## ADDITIONAL INFORMATION

### Central Inverters

For full fixture output in back-up mode, we recommend you visit [www.dual-lite.com](http://www.dual-lite.com) for your Central Lighting Inverter options. Please contact your local Hubbell representative for any assistance with proper sizing and loading of your inverter selection. Central lighting inverters must be ordered separately.

LiteGear: [www.dual-lite.com/products/litegear\\_lg\\_series](http://www.dual-lite.com/products/litegear_lg_series)

LPS Series: [www.dual-lite.com/products/lps](http://www.dual-lite.com/products/lps)

All product and company names, logos and product identifiers are trademarks ™ or registered trademarks ® of Hubbell Lighting, Inc. or their respective owners. Use of them does not necessarily imply any affiliation with or endorsement by such respective owners.