

LTC-6SQD SpectraSync

LITEISTRY 6" SQUARE CYLINDER WITH COLOR TUNING

LITEISTRY™

FEATURES

- 6" architectural LED downlight cylinder delivering 600–2500 lm
- 4 beam distributions from 0.6 to 1.2 Spacing Criteria
- Quiet reflector appearance with 50° optical cutoff
- SpectraSync(TM) Color Tuning technology allows flexibility to tailor CCT to aesthetic preferences
- Available in Dim To Warm (2200K-3000K) or Tunable White (2700K-5000K or 2700K-6500K), 90 CRI
- Available in Surface, Wall, Pendant, or Cord Mount configurations
- Standard with 0-10V dimming to 5%



RELATED PRODUCTS

Ø 3" LITEISTRY Family

Ø 4" LITEISTRY Family

Ø 6" LITEISTRY Family



(Select Models)

CONTROL TECHNOLOGY



SPECIFICATIONS

CONSTRUCTION

- Seamless heavy gauge aluminum cylinder body with a clean appearance
- Select from 4 durable powder coat paint architectural finishes or Brushed Aluminum
- Available in Surface, Wall, Pendant, or Cable/Cord mounting options
- Wall Mount: One piece die cast aluminum mounting arm
- Pendant Mount: Swivel canopy allows sloped ceiling mounting up to 45 degrees
- Integral driver versions allow direct mounting to a standard 4" octagonal or square junction box

OPTICS

- Visually pleasing 50° cutoff to source and source image
- The light distribution is free of distracting bright spots or pixelation and the perimeter has a smooth transition
- Optical grade silicone lens integral to light engine
- High purity four panel aluminum reflector, self-flanged
- Large selection of anodized finishes and colors
- Painted cones and flange options available

ELECTRICAL

- LED array with 3 SDCM color consistency
- Dim to Warm (2200K-3000K) or Tunable White (2700K-5000K or 2700K-6500K) options available
- 90+ CRI standard
- Long LED life: L70 at >60,000 (TM-21)
- Universal voltage 120V-277V driver
- UL Class 2, inherent short circuit and overload protection, RoHS compliant
- Flicker free 0-10V dimming to 5%
- Refer to additional spec sheets for information on standard [LITEISTRY](#) or [PowerHUBB™ PoE](#) enabled solutions

INSTALLATION

- Light Engine/Trim assembly is mechanically secured with torsion springs for ease of installation
- A quick connect is provided for easy maintenance or upgrade

CERTIFICATIONS

- cCSAus certified to UL 1598
- Wall Mount up to 10L: Suitable for wet locations
- Pendant Mount up to 10L: Suitable for wet locations under covered ceiling

CERTIFICATIONS (CONTINUED)

- 15L–25L Pendant & Wall, all Surface & Cord Mount: Suitable for damp locations
- This product qualifies as a “designated country construction material” per FAR 52.225-11 Buy American-Construction. Materials under Trade Agreements effective 6/6/2020. See [Buy American Solutions](#).

WARRANTY

- 5 year warranty
- See [HLI Standard Warranty](#) for additional information

KEY DATA	
Lumen Range	600–2500
Wattage Range	10–38
Efficacy Range (LPW)	49–60*
Reported Life (Hours)	L70 / >60,000
Input Current Range (mA)	83–317 (120V)

*Based on Specular, 30K, 90 CRI



LTC-6SQD SpectraSync

LITEISTRY 6" SQUARE CYLINDER WITH COLOR TUNING

DATE: _____ LOCATION: _____

TYPE: _____ PROJECT: _____

CATALOG #: _____

ORDERING GUIDE

Example: LTC-6SQD-P-15L2230TD9WD-DMTW-SS-WH

CATALOG #

LTC-6SQD		Cylinder Mounting		Lumen Output		CCT		CRI		Distribution	
Aperture/Shape/Function											
LTC-6SQD	6" Square Downlight Cylinder	S	Surface	06L	600 Lumens	2230TD	2200K-3000K SpectraSync™ Dim to Warm	9	90+ CRI	NR	Narrow (0.6 SC/36°)
		W	Wall	10L	1000 Lumens					MD	Medium (0.7 SC/43°)
		P	Pendant (18" Stem Standard)	15L	1500 Lumens ⁶	2750T	2700K-5000K SpectraSync™ Tunable White			WD	Wide (1.0 SC/65°)
		CM	Cable/Cord (6 ft. Cord Standard) ⁵	20L	2000 Lumens ⁶					XW	Extra Wide (1.2 SC/69°)
				25L	2500 Lumens ⁶	2765T	2700K-6500K SpectraSync™ Tunable White				

Driver Options		Voltage	Reflector Finish	Reflector Color	Flange Color Options
DMTW	SpectraSync™ Dim to Warm, 0-10V Dimming to 5% ^{1,3}	Standard 120-277V	<i>Finish not applicable with painted reflectors (WC or BC).</i>	Standard Clear	Standard matches reflector color
DMT	SpectraSync™ Tunable White, 0-10V Dimming to 5% ^{2,3}		S Specular	CG Champagne Gold	WT White Flange ⁴
			SS Semi-Specular	BL Black	BT Black Flange ⁴
			VS Softglow®	LW Light Wheat	
			VSS SoftSheen™	PW Pewter	
				WC Painted White Cone and Flange	
				BC Painted Black Cone and Flange	

Notes:

- 1 Must select 2230TD with DMTW driver.
- 2 Must select either 2750T or 2765T with DMT driver.
- 3 For lumen outputs/configurations available, see chart on page 3.
- 4 WT not needed for WC; BT not needed for BC
- 5 CM standard cord color is Clear.
- 6 15L-25L require vented cylinder.

Exterior Cylinder Color

- BA** Brushed Aluminum
- BZ** Bronze
- BL** Matte Black
- WH** Matte White
- SVR** Silver

LTC-6SQD SpectraSync

LITEISTRY 6" SQUARE CYLINDER WITH COLOR TUNING

DRIVER/CONTROL OPTION AVAILABILITY

Driver and Control options listed below are available in the configurations and lumen packages as shown.

Driver/Control Option		Cylinder Mounting ¹	Integral Remote Driver ²	06L	10L	15L	20L	25L
DMT	0-10V 5%	W	Integral	●	●	▼	▼	▼
		S/P/CM	Integral	●	●	▼	▼	▼
DMTW	0-10V 5%	W	Integral	●	●	▼	▼	▼
		S/P/CM	Integral	●	●	▼	▼	▼

- ▼ Vented cylinder required, see line art for more details.
- 1 See Cylinder Mounting chart for details.
- 2 See line art for more details.

Cylinder Mounting	
W	Wall Mount
S	Surface Mount
CM	Cable/Cord Mount
P	Pendant Mount

CONTROLS

SpectraSync™ Color Tuning Technology:

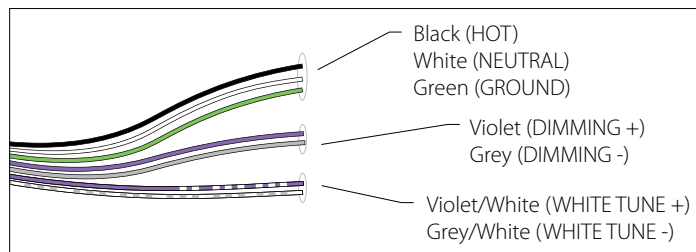
Control your space based on the needs of the application, specific activities throughout the day and preferences of the occupants with distinct SpectraSync™ Color Tuning Technologies.



SPECTRASYNCH COLOR TUNING TECHNOLOGY		
Mode	Kelvin Range	Description
Dim to Warm	2200K-3000K	Mimics the familiar warming effect that occurs with traditional incandescent sources as they are dimmed
Tunable White	2700K-5000K 2700K-6500K	Offers users the ability to tailor CCT to their personal preference, enhancing task visibility, material and colors or the aesthetics of the space
Scheduled White	2700K-5000K 2700K-6500K	Mimics the rhythm of natural light or follows an alternative user-defined schedule throughout the day, enhancing an occupant's mood and well-being

SpectraSync Tunable White

Available in two options: 2750T (2700K–5000K) or 2765T (2700K–6500K). Requires two 0–10V controllers, one for intensity and one for CCT. Minimum 5% dimming.

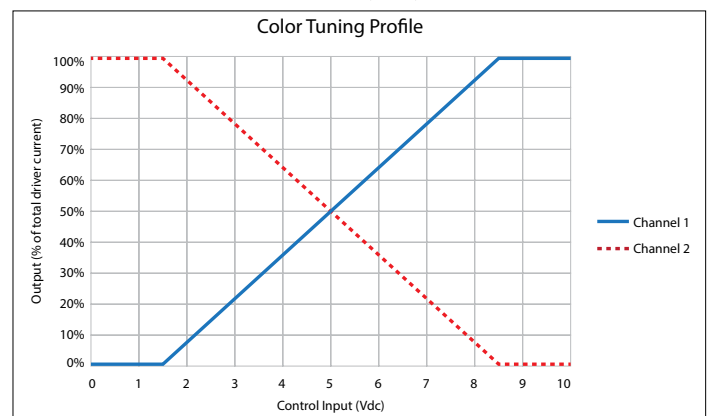


SpectraSync Tunable White luminaires are provided with two 0–10V circuits. The violet and grey circuit is for wiring to any qualified 0–10V controller for dimming. The violet/white and grey/white circuit is for wiring to any qualified 0–10V controller for Tunable White CCT control.

Controller Manufacturer Data

SpectraSync Tunable White was designed to be used with sinking style dimmers (provided by others) and is compatible with:

- Hubbell Control Solutions (HCS): NX Distributed Intelligence™ Room Controllers (NXRC) and In-fixture Controllers (NXFM)
- Lutron: DDTV, DVSTV, and NFTV dimmers
- Wattstopper: ADF120277 and CD4BL (Titan) dimmers



To enable scheduling and for use with NX wall control preset stations please refer to Hubbell Control Solutions NX SpectraSync technical sheet.

LTC-6SQD SpectraSync

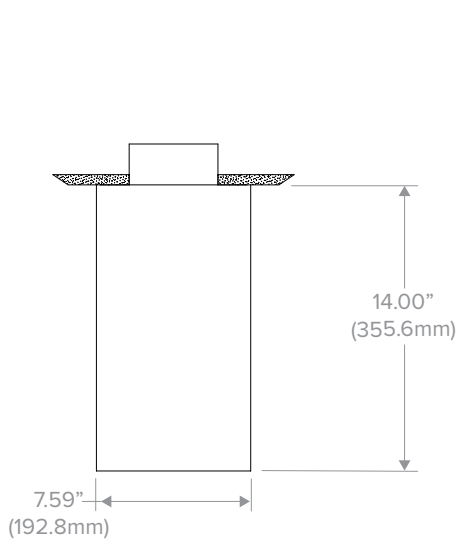
LITEISTRY 6" SQUARE CYLINDER WITH COLOR TUNING

DIMENSIONS

DATE: _____ LOCATION: _____

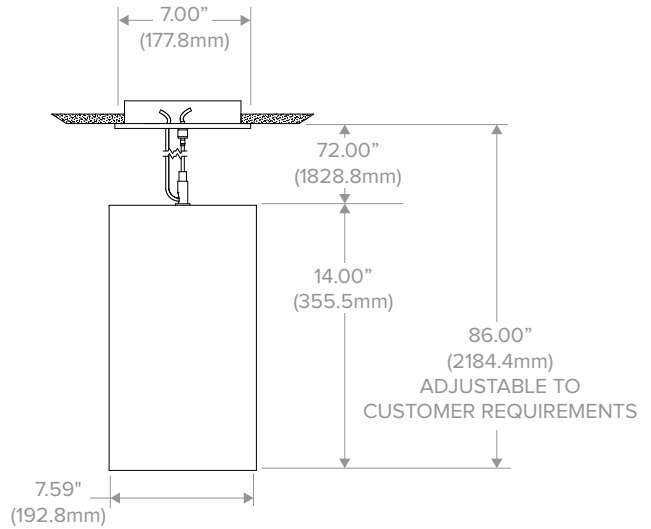
TYPE: _____ PROJECT: _____

CATALOG #: _____



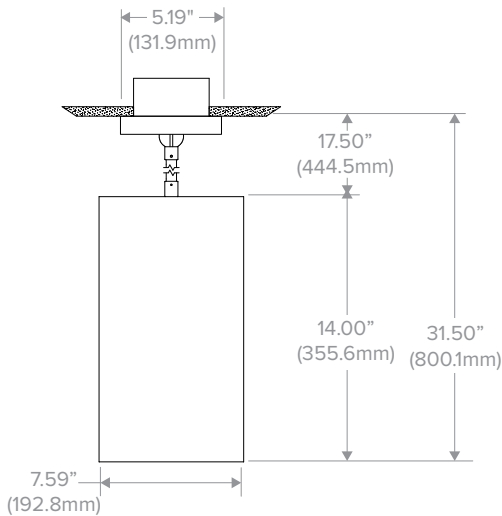
Integral Driver

Surface (-S)



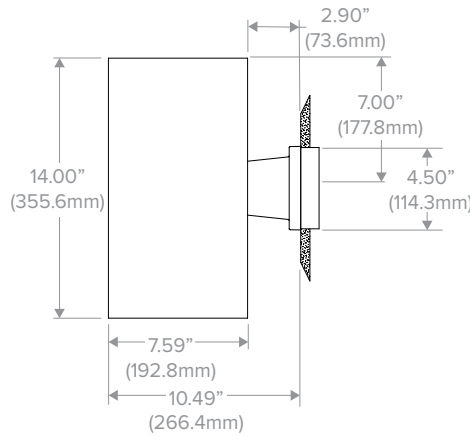
Integral Driver

Cord (-CM)



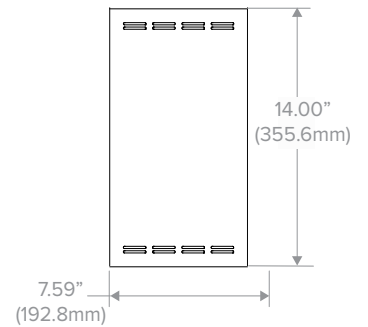
Integral Driver

Pendant (-P)



Integral Driver

Wall (-W)



Vented Detail View
For 15L-25L
(All Mounting)

LTC-6SQD SpectraSync

LITEISTRY 6" SQUARE CYLINDER WITH COLOR TUNING

PHOTOMETRY

LTC-6SQD-P-20L2765T9NR-DMT-S-BL

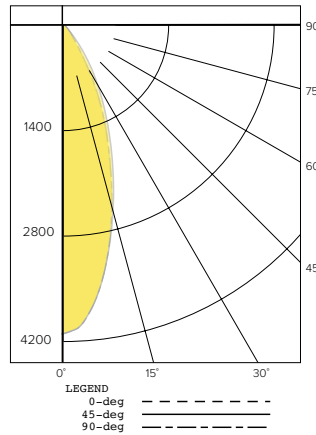
LUMINAIRE DATA

Test No.	R19.00935-C21
Description	2000 lm, Narrow, 3000K, 90 CRI
Delivered Lumens	2035
Watts	35.3W
Efficacy	58.0
Mounting	Recessed
Spacing Criterion	0.6
Beam Angle (FWHM)	43

ZONAL LUMEN SUMMARY

Zone	Lumens	% Luminaire
0-40	1919	94.3
0-60	2028	99.7
0-90	2035	100.0
0-180	2035	100.0

POLAR GRAPH



CANDELA DISTRIBUTION

Degree	Candela - 0	Candela - 45	Candela - 90
0	4127	4127	4127
5	3890	3892	3890
15	2530	2597	2535
25	1205	1389	1214
35	309	567	311
45	89	121	91
55	17	23	17
65	4	5	4
75	2	2	2
85	0	1	0
90	0	0	0

LTC-6SQD-P-20L2765T9MD-DMT-S-BL

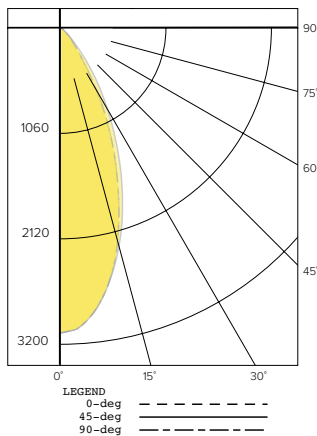
LUMINAIRE DATA

Test No.	R19.01046-C21
Description	2000 lm, Medium, 3000K, 90 CRI
Delivered Lumens	2023
Watts	35.3W
Efficacy	57.0
Mounting	Recessed
Spacing Criterion	0.7
Beam Angle (FWHM)	65

ZONAL LUMEN SUMMARY

Zone	Lumens	% Luminaire
0-40	1891	93.5
0-60	2016	99.7
0-90	2023	100.0
0-180	2023	100.0

POLAR GRAPH



CANDELA DISTRIBUTION

Degree	Candela - 0	Candela - 45	Candela - 90
0	3315	3315	3315
5	3197	3198	3196
15	2392	2447	2386
25	1272	1460	1270
35	378	627	378
45	103	142	103
55	18	27	18
65	4	5	5
75	2	2	2
85	0	1	0
90	0	0	0

LTC-6SQD-P-20L2765T9WD-DMT-S-BL

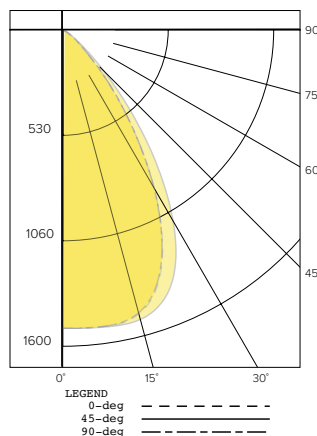
LUMINAIRE DATA

Test No.	R19.00936-C21
Description	2000 lm, Wide, 3000K, 90 CRI
Delivered Lumens	1853
Watts	35.3W
Efficacy	52.0
Mounting	Recessed
Spacing Criterion	1.0
Beam Angle (FWHM)	69

ZONAL LUMEN SUMMARY

Zone	Lumens	% Luminaire
0-40	1613	87.0
0-60	1843	99.5
0-90	1853	100.0
0-180	1853	100.0

POLAR GRAPH



CANDELA DISTRIBUTION

Degree	Candela - 0	Candela - 45	Candela - 90
0	1548	1548	1548
5	1552	1553	1552
15	1525	1556	1518
25	1218	1369	1210
35	640	835	636
45	187	281	189
55	28	49	29
65	5	6	5
75	3	3	3
85	1	1	1
90	0	0	0

LTC-6SQD SpectraSync

LITEISTRY 6" SQUARE CYLINDER WITH COLOR TUNING

PHOTOMETRY CONTINUED

LTC-6SQD-P-20L2765T9XW-DMT-S-BL

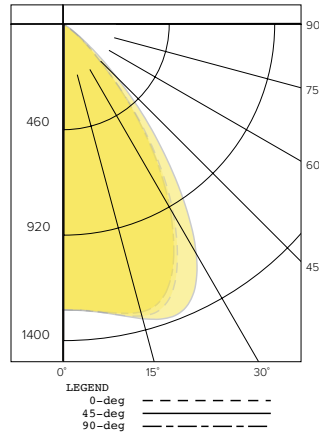
LUMINAIRE DATA

Test No.	R19.01047-C21
Description	2000 lm, Extra Wide, 3000K, 90 CRI
Delivered Lumens	1802
Watts	35.3W
Efficacy	51.0
Mounting	Recessed
Spacing Criterion	1.2
Beam Angle (FWHM)	69

ZONAL LUMEN SUMMARY

Zone	Lumens	% Luminaire
0-40	1523	84.5
0-60	1792	99.4
0-90	1802	100.0
0-180	1802	100.0

POLAR GRAPH



CANDELA DISTRIBUTION

Degree	Candela - 0	Candela - 45	Candela - 90
0	1235	1235	1235
5	1244	1245	1243
15	1306	1318	1289
25	1163	1310	1127
35	707	885	681
45	223	335	219
55	33	58	33
65	6	7	6
75	3	3	3
85	1	1	1
90	0	0	0

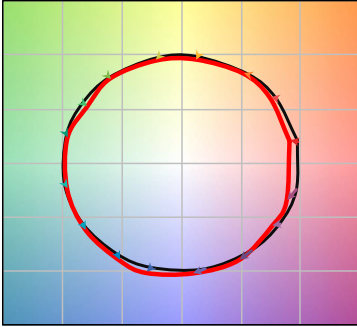
LTC-6SQD SpectraSync

LITEISTRY 6" SQUARE CYLINDER WITH COLOR TUNING

TM-30 DATA

SPECTRASYNCTM TUNABLE WHITE (2765T)

COLOR VECTOR GRAPHIC
2700K, 90+ CRI

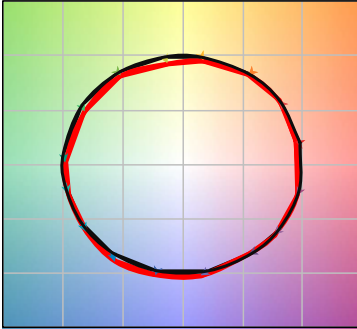


— Reference Illuminant — Test Source

COLOR DISTORTION GRAPHIC
2700K, 90+ CRI

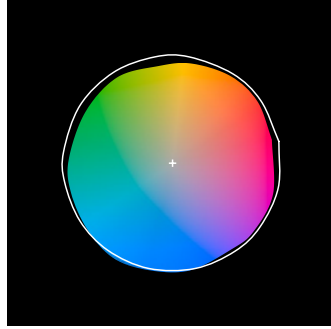


COLOR VECTOR GRAPHIC
4600K, 90+ CRI

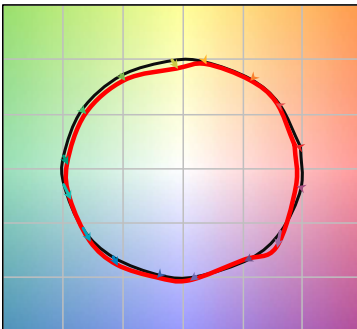


— Reference Illuminant — Test Source

COLOR DISTORTION GRAPHIC
4600K, 90+ CRI

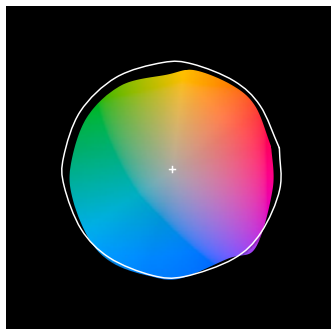


COLOR VECTOR GRAPHIC
6500K, 90+ CRI



— Reference Illuminant — Test Source

COLOR DISTORTION GRAPHIC
6500K, 90+ CRI



TEST RESULTS - TUNABLE WHITE @ 1500 LUMENS (NOMINAL)			
Value	2700K	4600K	6500K
Luminous Flux (lm)	1407	1604	1660
Wattage (W)	23.9	24.3	24.6
Efficacy (lm/W)	59	66	68
R _f	90	89	87
R _g	97	98	96
CCT (K)	2817	4588	6518
D _{UV}	-0.0013	-0.0040	0.0018
x	0.4482	0.3565	0.3131
y	0.4047	0.3531	0.3273
CIE R _a	91	95	94
CIE R _g	47	81	76

LTC-6SQD SpectraSync

LITEISTRY 6" SQUARE CYLINDER WITH COLOR TUNING

ELECTRICAL DATA

DRIVER DATA	
Input Voltage	120-277 V
Input Frequency	50/60 Hz
Power Factor	≥0.90
THD	<20%
EMI Filtering (FCC 47 CFR Part 15)	Class A
Operating Temperature	-20° C to 40° C

WATTAGE DATA		
Lumen Output	Nominal Lumens	WATTAGE
06L	600	10
10L	1000	18
15L	1500	25
20L	2000	36
25L	2500	38

* Wattage may vary based on configuration and options selected

ADDITIONAL INFORMATION

Central Inverters

For full fixture output in back-up mode, we recommend you visit www.dual-lite.com for your Central Lighting Inverter options. Please contact your local Hubbell representative for any assistance with proper sizing and loading of your inverter selection. Central lighting inverters must be ordered separately.

LiteGear: www.dual-lite.com/products/litegear_lg_series

LPS Series: www.dual-lite.com/products/lps