

LTR-6SQW Lens SpectraSync

LITEISTRY 6" SQUARE LENSED WALL WASH (LWW) WITH COLOR TUNING

LITEISTRY™

FEATURES

- 6" architectural LED lensed wall wash delivering 600–3000 lm
- Provides smooth uniform vertical illumination
- SpectraSync™ Color Tuning technology allows the flexibility to tailor CCT to aesthetic preferences.
- Available in Dim to Warm (2200K-3000K) or Tunable White (2700K-5000K or 2700K-6500K), 90+ CRI
- Available for New Construction (non-IC), IC and Chicago Plenum applications
- Standard with 0-10V dimming to 5%
- NX Distributed Intelligence™ wired and wireless controls capability available



RELATED PRODUCTS

Ø 3" LITEISTRY Family

Ø 4" LITEISTRY Family

Ø 6" LITEISTRY Family

CONTROL TECHNOLOGY



SPECIFICATIONS

CONSTRUCTION

- Painted black durable steel platform with pre-installed bar hangers
- Pre-wired junction box with snap-on covers for easy access
- Snap-in connection from driver compartment allows easy installation
- Light Engine connections use plenum rated (CMP) cable

OPTICS

- Provides excellent uniformity down the wall
- The light distribution is free of distracting bright spots or pixelation and the perimeter has a smooth transition
- High purity four panel aluminum reflector, self-flanged
- Flush mount flange option with mud-in ring available
- Large selection of anodized finishes and colors
- Painted cones and flange options available

ELECTRICAL

- LED array with 3 SDCM color consistency
- Dim to Warm (2200K-3000K) or Tunable White (2700K-5000K or 2700K-6500K) options available

ELECTRICAL (CONTINUED)

- 90+ CRI standard
- Long LED life: L70 at >60,000 hours (TM-21)
- Universal voltage 120V–277V driver
- UL Class 2, inherent short circuit and overload protection, RoHS compliant
- Flicker free 0–10V dimming to 5%
- NX or Lutron Vive control options available
- Emergency Battery Pack option available with remote test switch an indicator light
- Refer to additional spec sheets for information on [standard LITEISTRY](#) or [PowerHUBB™ PoE enabled](#) solutions

INSTALLATION

- Accommodates ceiling thicknesses up to 1.25"
- Universal adjustable mounting brackets also accept ½" EMT conduit or 1½" or ¾" lathing channel (by others) or Prescolite accessory bar hangers (B24 or B6)
- Light engine/driver fully serviceable from above or below the ceiling

CERTIFICATIONS

- cCSAus certified to UL 1598
- Suitable for wet location, covered ceiling EMR: Suitable for damp locations
- EMR: Certified under UL 924 standard for emergency lighting and power equipment
- Approved for 8 (4 in/4 out) No. 12AWG conductors rated for 90°C through wiring
- This product qualifies as a "designated country construction material" per FAR 52.225-11 Buy American-Construction. Materials under Trade Agreements effective 6/6/2020. See [Buy American Solutions](#).

WARRANTY

- 5 year warranty
- See [HLI Standard Warranty](#) for additional information

KEY DATA	
Lumen Range	600–3000
Wattage Range	10-49
Efficacy Range (LPW)	53*
Life (Hours)	L70 / 60,000
Input Current (mA)	83-408 (120V)

* Based on Specular, 30K, 90 CRI

LTR-6SQW Lens SpectraSync

LITEISTRY 6" SQUARE LENSED WALL WASH (LWW) WITH COLOR TUNING

ORDERING GUIDE

Example: LTR-6SQD-H-SL10L-DMTW-LTR-6SQW-T-SL2230TD9MD-SS

CATALOG #

HOUSING

LTR-6SQD-H		Lumen Package		Lumen Output		Driver Options		Control Options		Voltage		Housing Options	
Aperture/Shape/Function													
LTR-6SQD-H	6" Square Downlight / Wall Wash New Construction Housing	SL	Standard Lumen	06L	600	DMTW	SpectraSync™ Dim to Warm, 0-10V Dimming to 5% ¹	NXE	NX Enabled, Dual SmartPorts	Standard	120-277V	CP	Chicago Plenum ^{7,8,9}
				10L	1000								
				15L	1500								
		ML	Medium Lumen	20L	2000			NXWE	NX Wireless Enabled			EMR	Emergency Battery Pack with remote test switch and indicator light ^{7,9}
		HL	High Lumen	25L	2500	DMT	SpectraSync™ Tunable White, 0-10V Dimming to 5% ²	NXWD	NX Wireless Enabled, Dual SmartPorts			F	Fuse ⁷
				30L	3000								
								LV	Lutron Vive Enabled, 0-10V ⁶				

TRIM

LTR-6SQW-T		Lumen Package		CCT		CRI		Distribution		Reflector Finish	
Aperture/Shape/Function											
LTR-6SQW-T	6" Square Wall Wash Engine/Trim Assembly	SL	Standard Lumen	2230TD	2200K-3000K SpectraSync™ Dim to Warm	9	90+CRI	LWW	Lensed Wall Wash	<i>Finish not applicable with painted reflectors (WC or BC)</i>	
		ML	Medium Lumen	2750T	2700K-5000K SpectraSync™ Tunable White					S	Specular
		HL	High Lumen	2765T	2700K-6500K SpectraSync™ Tunable White					SS	Semi-Specular
										MFC	American Matte™
										VS	Softglow®
										VSS	SoftSheen™

TRIM CONTINUED

Reflector Color		Flange Color Options		Lower Trim Options		Reflector Options	
	Standard Clear		Standard matches reflector color	FM	Flush Mount Mud-in Ring ⁵	AM	Antimicrobial Coating ⁴
CG	Champagne Gold	WT	White Flange ³				
BL	Black	BT	Black Flange ³				
LW	Light Wheat						
PW	Pewter						
WC	Painted White Cone and Flange						
BC	Painted Black Cone and Flange						

Accessories

- B24** Set of two (2) 24" bar hangers for T-bar ceilings
- B6** Set of two bar hangers for ceiling joist up to 24" centers
- FMR6-SQ** Flush Mount Flange Mud-In Ring, 6" Square
- LiteGear** LiteGear® Inverter, 125VA–250VA
- LPS Series** LightPower Micro-Inverter, 20VA-55VA
- MOR6-SQ-WH** Metal Oversized Ring, 6" Square, White (10.25" outer dimension)
- MOR6-SQ-BL** Metal Oversized Ring, 6" Square, Black (10.25" outer dimension)

Notes:

- 1 Must select 2230TD with DMTW driver
- 2 Must select either 2750T or 2765T with DMT driver
- 3 WT not needed for WC, BT not needed for BC.
- 4 AM available with WC or Specular Clear (S or SWT). Consult factory for other colors.
- 5 Flush mount flange (FM) requires FMR accessory (sold separately).
- 6 LV available only with DMTW driver option; up to 20L.
- 7 Housing options (except Fuse) not available in combination.
- 8 IC, CP available in 06L
- 9 Not available with Control options.

LTR-6SQW Lens SpectraSync

LITEISTRY 6" SQUARE LENSED WALL WASH (LWW) WITH COLOR TUNING

CONTROLS

NX Distributed Intelligence™ Lighting Controls:

Supports applications in a variety of deployment options- wired, wireless, hybrid. Integrates with and enables a wide array of luminaires including those with SpectraSync™ Color Tuning Technology.



NX INTEGRATED CONTROLS REFERENCE								
NX Option	Sensor	Networkable	Scheduling	Occupancy	Daylight Harvesting	0-10V Dimming	On/off Control	Bluetooth® App Programming
NX Networked – Wired								
NXE	N/A	Yes	Yes	No	No	Yes	Yes	Requires NXBTC/R ¹
NX Networked – Wireless								
NXWE ²	N/A	Yes	Yes	No	No	Yes	Yes	No ³
NX Networked – Wired/Wireless								
NXWD	N/A	Yes	Yes	No	No	Yes	Yes	Requires NXBTC/R ^{1,3}

- 1 NXBTC/R needs to be plugged into an available NX SmartPort™ on the fixture network
- 2 Programming via App requires factory assistance
- 3 To program NXWE option, need to consult factory. If connected to an area controller, programming can be done from that

SpectraSync™ Color Tuning Technology:

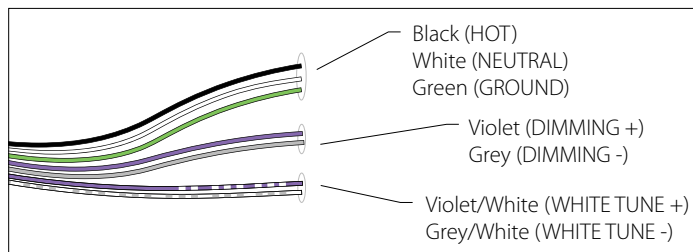
Control your space based on the needs of the application, specific activities throughout the day and preferences of the occupants with distinct SpectraSync™ Color Tuning Technologies.



SPECTRASYNCH COLOR TUNING TECHNOLOGY		
Mode	Kelvin Range	Description
Dim to Warm	2200K-3000K	Mimics the familiar warming effect that occurs with traditional incandescent sources as they are dimmed
Tunable White	2700K-5000K 2700K-6500K	Offers users the ability to tailor CCT to their personal preference, enhancing task visibility, material and colors or the aesthetics of the space
Scheduled White	2700K-5000K 2700K-6500K	Mimics the rhythm of natural light or follows an alternative user-defined schedule throughout the day, enhancing an occupant's mood and well-being

SpectraSync Tunable White

Available in two options: 2750T (2700K–5000K) or 2765T (2700K–6500K). Requires two 0–10V controllers, one for intensity and one for CCT. Minimum 5% dimming.

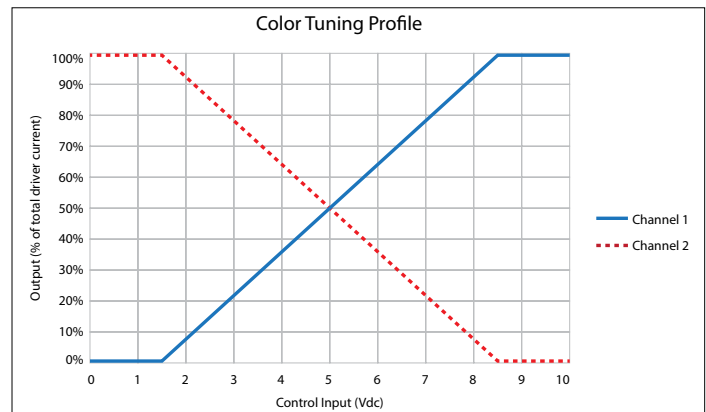


SpectraSync Tunable White luminaires are provided with two 0–10V circuits. The violet and grey circuit is for wiring to any qualified 0–10V controller for dimming. The violet/white and grey/white circuit is for wiring to any qualified 0–10V controller for Tunable White CCT control.

Controller Manufacturer Data

SpectraSync Tunable White was designed to be used with sinking style dimmers (provided by others) and is compatible with:

- Hubbell Control Solutions (HCS): NX Distributed Intelligence™ Room Controllers (NXRC) and In-fixture Controllers (NXFM)
- Lutron: DDTV, DVSTV, and NFTV dimmers
- Wattstopper: ADF120277 and CD4BL (Titan) dimmers

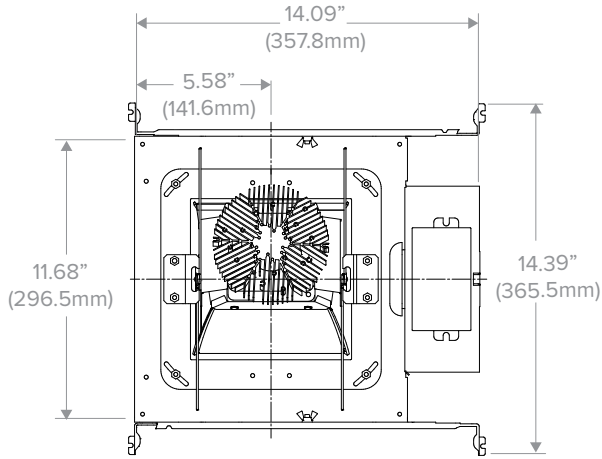


To enable scheduling and for use with NX wall control preset stations please refer to Hubbell Control Solutions NX SpectraSync technical sheet.

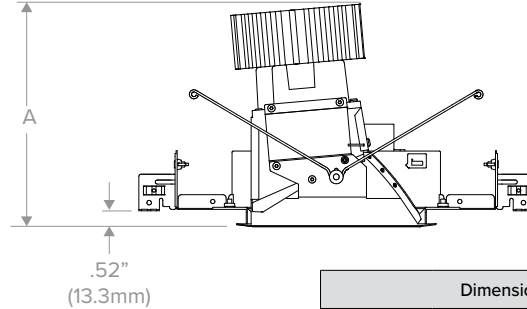
LTR-6SQW Lens SpectraSync

LITEISTRY 6" SQUARE LENSED WALL WASH (LWW) WITH COLOR TUNING

DIMENSIONS



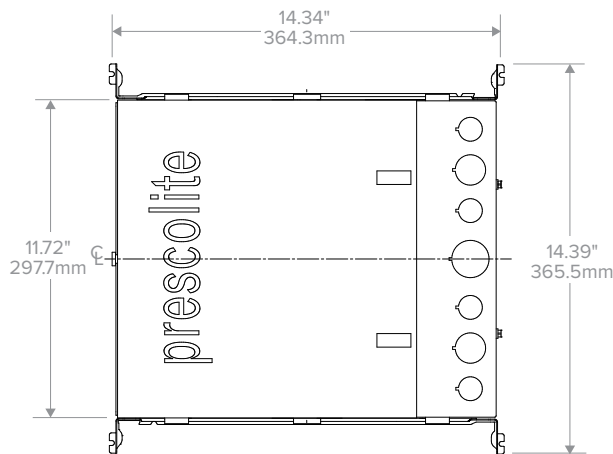
Top View



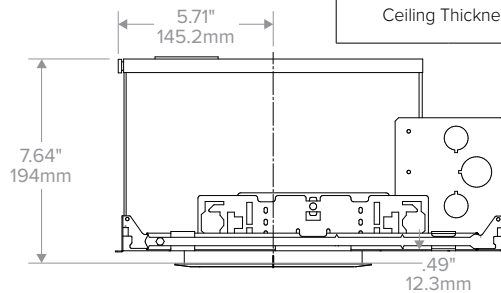
Lumen Package	"A"
06L-10L	6.82" (173.2mm)
15L-20L	9.18" (233.2mm)
25L-30L	9.88" (251.0mm)

Dimensional Data		
Aperture		6.00" (152.4mm) SQ
Flange	Standard	7.25" (184.2mm) SQ
	Flush Mount	6.47" (164.3mm) SQ
Ceiling Cutout	Standard	6.69" (169.9mm) SQ
	Flush Mount	6.88" (174.8mm) SQ
Ceiling Thickness		0.50" to 1.25" (12.7mm to 31.8mm)

LTR-6SQW Lens-H New Construction



Top View



LTR-6SQW Lens-H IC/CP

Dimensional Data		
Aperture		6.00" (152.4mm) SQ
Flange	Standard	7.25" (184.2mm) SQ
	Flush Mount	6.47" (164.3mm) SQ
Ceiling Cutout	Standard	6.69" (169.9mm) SQ
	Flush Mount	6.88" (174.8mm) SQ
Ceiling Thickness		0.50" to 1.25" (12.7mm to 31.8mm)

LTR-6SQW Lens SpectraSync

LITEISTRY 6" SQUARE LENSED WALL WASH (LWW) WITH COLOR TUNING

PHOTOMETRY

LTR-6SQD-H-ML20L-DMT / LTR-6SQW-T-ML2765T9LWWS

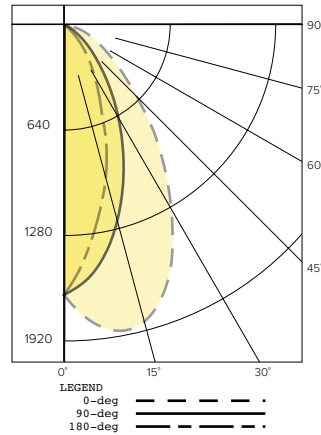
LUMINAIRE DATA

Test No.	R19.01241-11
Description	6" Lensed Wall-Wash; 2000lm 3000K, 90 CRI
Delivered Lumens	1857
Watts	35.3
Efficacy	53 lm/W
Mounting	Recessed

ZONAL LUMEN SUMMARY

Zone	Lumens	% Luminaire
0-40	1377	29.0
0-60	1769	95.3
0-90	1857	100.0
0-180	1857	100.0

POLAR GRAPH



CANDELA DISTRIBUTION

Degree	Candela
0	1655
5	1818
15	1885
25	1565
35	1075
45	637
55	355
65	230
75	51
85	1
90	0

LUMINANCE DATA*

Vertical Angle	Average
45°	38741
55°	26617
65°	19966
75°	13041
85°	450

*Candela/Square Meter

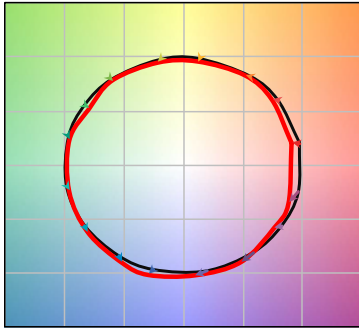
LTR-6SQW Lens SpectraSync

LITEISTRY 6" SQUARE LENSED WALL WASH (LWW) WITH COLOR TUNING

TM-30 DATA

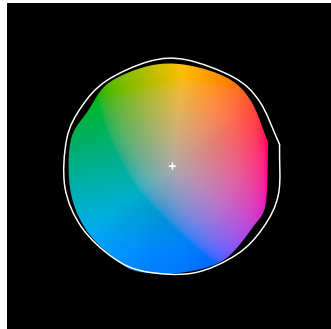
SPECTRASYNCTM TUNABLE WHITE (2765T)

COLOR VECTOR GRAPHIC
2700K, 90+ CRI

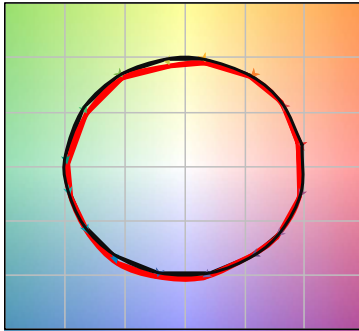


— Reference Illuminant — Test Source

COLOR DISTORTION GRAPHIC
2700K, 90+ CRI



COLOR VECTOR GRAPHIC
4600K, 90+ CRI

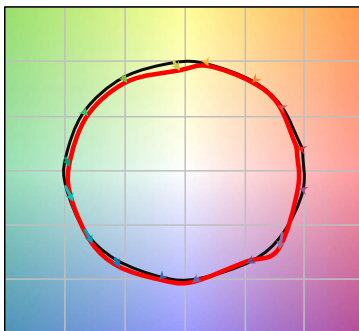


— Reference Illuminant — Test Source

COLOR DISTORTION GRAPHIC
4600K, 90+ CRI



COLOR VECTOR GRAPHIC
6500K, 90+ CRI



— Reference Illuminant — Test Source

COLOR DISTORTION GRAPHIC
6500K, 90+ CRI



TEST RESULTS - TUNABLE WHITE @ 1500 LUMENS (NOMINAL)			
Value	2700K	4600K	6500K
Luminous Flux (lm)	1407	1604	1660
Wattage (W)	23.9	24.3	24.6
Efficacy (lm/W)	59	66	68
R _f	90	89	87
R _g	97	98	96
CCT (K)	2817	4588	6518
D _{UV}	-0.0013	-0.0040	0.0018
x	0.4482	0.3565	0.3131
y	0.4047	0.3531	0.3273
CIE R _a	91	95	94
CIE R _g	47	81	76

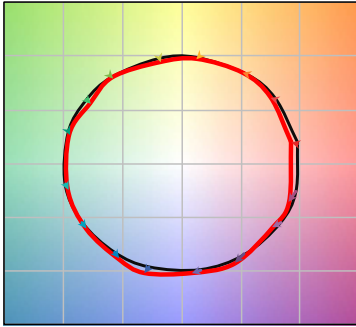
LTR-6SQW Lens SpectraSync

LITEISTRY 6" SQUARE LENSED WALL WASH (LWW) WITH COLOR TUNING

TM-30 DATA CONTINUED

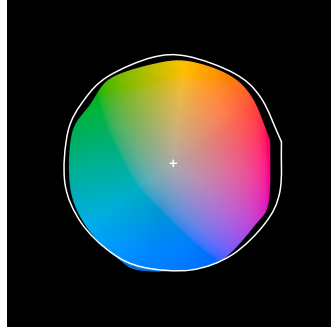
SPECTRASYNCTM DIM TO WARM (2230TD)

COLOR VECTOR GRAPHIC
3000K, 90+ CRI @ 100%

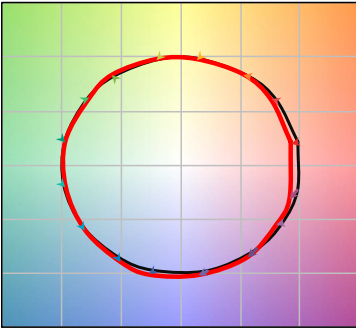


— Reference Illuminant — Test Source

COLOR DISTORTION GRAPHIC
3000K, 90+ CRI @ 100%

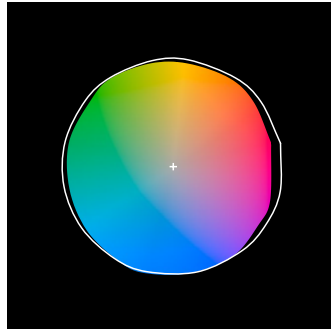


COLOR VECTOR GRAPHIC
2600K, 90 CRI @ 50% DIM

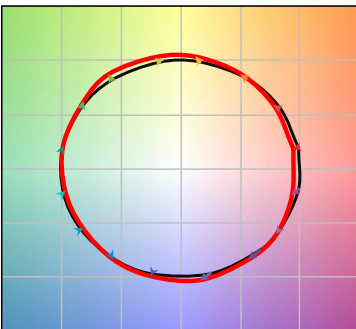


— Reference Illuminant — Test Source

COLOR DISTORTION GRAPHIC
2600K, 90 CRI @ 50% DIM

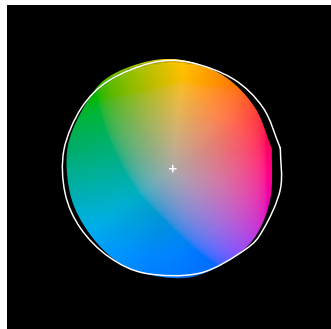


COLOR VECTOR GRAPHIC
2200K, 90 CRI @ 5% DIM



— Reference Illuminant — Test Source

COLOR DISTORTION GRAPHIC
2200K, 90 CRI @ 5% DIM



TEST RESULTS - DIM TO WARM @ 3 DIMMING LEVELS			
Value	100%	50% Dim	5% Dim
Luminous Flux (lm)	1501	772	53
Wattage (W)	24.3	14	3.4
Efficacy (lm/W)	62	55	16
R _f	90	92	91
R _g	97	99	102
CCT (K)	3123	2590	2282
D _{uv}	-0.0017	-0.0015	-0.0029
x	0.4261	0.4662	0.4907
y	0.3965	0.4082	0.4068
CIE R _a	92	93	93
CIE R _g	53	60	64

LTR-6SQW Lens SpectraSync

LITEISTRY 6" SQUARE LENSED WALL WASH (LWW) WITH COLOR TUNING

ELECTRICAL DATA

DRIVER DATA	
Input Voltage	120-277V
Input Frequency	50/60 Hz
Power Factor	≥0.90
THD	<20%
EMI Filtering (FCC 47 CFR Part 15)	Class A

WATTAGE DATA		
Lumen Output	Nominal Lumens	WATTAGE
06L	600	10
10L	1000	18
15L	1500	25
20L	2000	36
25L	2500	38
30L	3000	49

ADDITIONAL INFORMATION

Central Inverters

For full fixture output in back-up mode, we recommend you visit www.dual-lite.com for your Central Lighting Inverter options. Please contact your local Hubbell representative for any assistance with proper sizing and loading of your inverter selection. Central lighting inverters must be ordered separately.

LiteGear: www.dual-lite.com/products/litegear_lg_series

LPS Series: www.dual-lite.com/products/lps

All product and company names, logos and product identifiers are trademarks™ or registered trademarks® of Hubbell Lighting, Inc. or their respective owners. Use of them does not necessarily imply any affiliation with or endorsement by such respective owners.