

# Classix® 6"

## 6" Round Lens Downlight



### Features

The Classix lensed downlight shines new light on your bigger jobs. With a unique Amerlux® blend of architectural form and function, Classix performs perfectly in large retail and commercial spaces. Designed for higher ceilings, this downlight features high output and a commercial grade lens providing for a very wide flood beam distribution. Remodeler version is ideal for existing applications as this fixture installs from-below into ceilings.

### Product Overview

Type:	Recessed Round Downlight
Wattage:	25, 34, 45, 52
Lumen Output:	3,647max; 70 Lm/W (52W data)
CBCP:	3,137 max (52W data)
Color Temp:	2700K, 3000K, 3500K, 4000K, CRISP
CRI:	83 typ. (2700K, 3000K, 3500K, 4000K) 90+ typ. (2700K, 3000K)
Dimming:	CrispWhite & 3K Class A LEDs available TRIAC & ELV (120/277VAC) - 5% Dim 0-10V (120/277VAC) - 1% Dim DALI - 1% Dim

### PROJECT:

### TYPE:

### Fixture Type

Round	New Construction	Remodeler	Trim
Yes	Yes	Yes	Yes

### Performance Chart

Watts	Delivered Lumens	LPW	CBCP	Color Temp
25	1,933	78.1	1,665	3000K-83
34	2,589	76.2	2,227	3000K-83
45	3,282	72.9	2,823	3000K-83
52	3,647	70	3,137	3000K-83

Data is based on 52W 3000K-83 IES files available on website  
See page 5 for other beam spreads

### Electrical Data

	25W		34W		45W		52W	
	System Watts	Amps	System Watts	Amps	System Watts	Amps	System Watts	Amps
120V	25	0.21	34	0.28	45	0.38	52	0.43
277V	25	0.09	34	0.12	45	0.16	52	0.19

Electronic constant current LED driver



# Classix® 6"

6" Round Lens Downlight



## PROJECT:

## TYPE:

### Housing/Frame Ordering Information

1	2	3	4	5
<b>1</b> <u>Model</u> For New Construction <b>CLX-R6-NC-A17†</b> (New Construction)  For Existing Ceilings <b>CLX-R6-REM-A17†</b> (Remodeler)	<b>2</b> <u>Wattage</u> 25 34 45 52	<b>3</b> <u>Voltage</u> 120 277	<b>4</b> <u>Driver</u> (for non-dimming, select LE/TE option) <b>LE/TE</b> - TRIAC/ELV dimming <b>0-10V</b> - 0-10V dimming, 1% dim <b>DALI</b> - DALI dimming, 1% dim (25W, 34W & 46W only)	<b>5</b> <u>Options/Accessories</u> <b>EM</b> - emergency battery pack with remote test switch (not available for use with REM option)

### Trim Ordering Information

CLX-RLD6-A17	2	VWF	4
1	2	3	4
<b>1</b> <u>Model</u> <b>CLX-RLD6-A17†</b>	<b>2</b> <u>Finish</u> <b>SDW</b> - semi-diffuse, white flange <b>SDC</b> - semi-diffuse, clear flange (flange finish matches cone finish)	<b>3</b> <u>Beam Spreads</u> <b>VWF</b> - very wide flood, 65°	<b>4</b> <u>Color Temp</u> 83 CRI                      90+ CRI <b>27</b> - 2700K-83 <b>279</b> - 2700K-90+ <b>CRISP</b> - CrispWhite <b>30</b> - 3000K-83 <b>309</b> - 3000K-90+ <b>3CLA</b> - 3K Class A <b>35</b> - 3500K-83 <b>40</b> - 4000K-83

† The "A" refers to the sequential revision in a year and "XX" refers to the year of update. Updates coincide with improved performance while not changing the overall fixture aesthetic and are reflected in the published performance data. Please contact your Amerlux representative for explanations of changes.

# Classix® 6"

6" Round Lens Downlight



## PROJECT:

## TYPE:

### Specifications

#### Application

Retail, commercial and hospitality ambient lighting

#### Construction

20 ga. galvanized steel frame  
18 ga. galvanized steel splice housing and hanger brackets (not for Remodeler version)  
Passive cooling  
Extruded aluminum heat sink

#### Optical

Engineered nano technology lens provides transmission while concealing LED image  
Spun aluminum semi-diffuse aperture cone  
Very Wide Flood batwing distribution, 65°

#### LED

##### Color Temp Options:

2700K, 3000K, 3500K, 4000K

CRI: 83 typ. (2700K, 3000K, 3500K, 4000K)

90+ typ. (2700K, 3000K)

CrispWhite\* LED available (see description below)

R9 Values: 11 (83 CRI), 55 (92 CRI)

Binning: 3 MacAdam (SDCM)

Life: 50,000+ hrs, > 70% of initial lumens at 50,000 hrs

*\*CrispWhite: CrispWhite Technology delivers the warmth of colors expected from a high 90 CRI solution but also creates the natural crisp white color that is pleasing to the eye. It creates the most impactful lighting ever available, by revealing the richest whites and vibrant colors that pop.*

#### Electrical

Wattage: 25, 34, 45, 52

Electronic constant current LED driver, 120/277VAC input

**This product complies with IEEE C62.41 for surge endurance up to 2.5KV. Amerlux® recommends using additional surge protection with this unit (supplied by others), surge and over voltage damage is not covered under warranty.**

#### Drivers

LE/TE - Leading Edge, TRIAC, forward phase/Trailing Edge, ELV, reverse phase (standard)  
0-10V and DALI systems also available  
*See pages 6-7 for more dimming information*

#### Finish (Trim)

Wet paint

#### Mounting

For use in T-grid or sheetrock ceilings  
1" max ceiling thickness  
Adjustable hanger bars included (14 1/2" - 25" std.)  
*(32"-48" Adjustable hanger bars available, consult factory)*

#### Certifications

CSA damp as tested to UL 1598 standards  
Damp location

#### Warranty

5 year limited warranty

# Classix® 6"

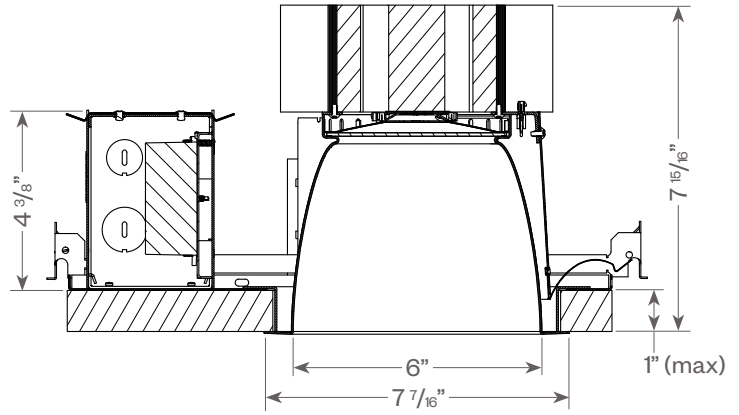
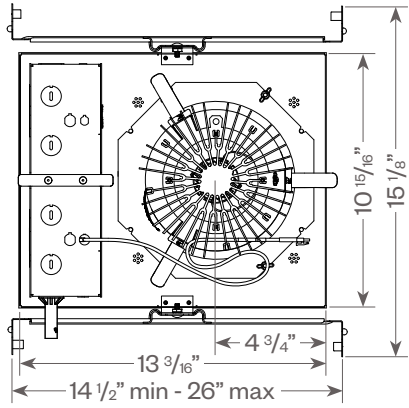
6" Round Lens Downlight



## PROJECT:

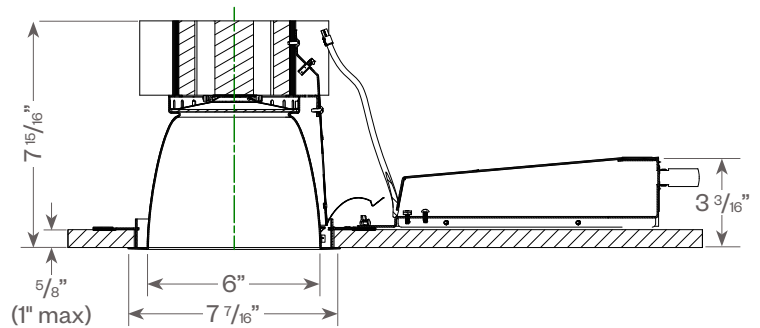
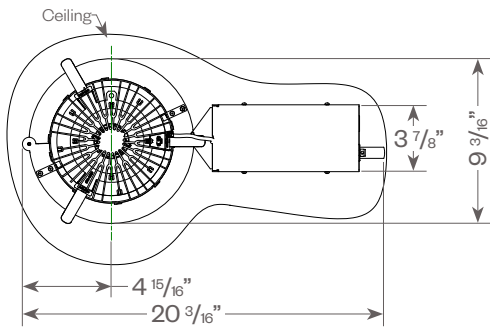
## TYPE:

**Classix Round Lens Downlight:  
New Construction**



Ceiling cut out: 7" dia.

## Remodeler



Ceiling cut out: 7" dia.

# Classix® 6"

6" Round Lens Downlight



**PROJECT:**

**TYPE:**

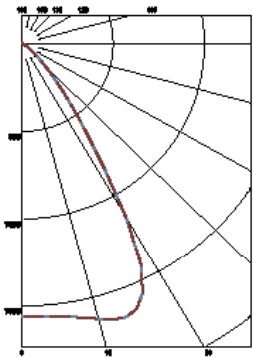
**FIXTURE DATA:** (Complete photometric data (.ies format) available upon request)

**MULTIPLYING FACTORS:** (Multiplying Factor is based on 3000K-83 120V IES file on website)

Wattage:	34W	45W	52W
Factor:	0.71	0.90	1.0

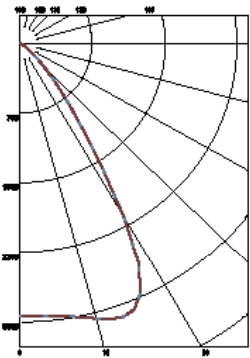
CCT:	2700K-83	3000K-83	3500K-83	4000K-83	2700K-90+	3000K-90+	CRISP	3CLA
Factor:	0.96	1.0	1.02	1.04	0.80	0.83	0.65	0.75

Very Wide Flood Distribution,  
LTL #1031470  
25W, Lumens: 1,933



Candelas at Nadir	
Deg	Candela
0	1563
5	1566
15	1629
25	1573
35	617
45	181

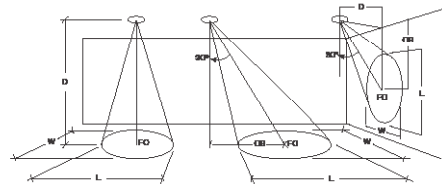
Very Wide Flood Distribution,  
LTL #1031468  
52W, Lumens: 3,647



Candelas at Nadir	
Deg	Candela
0	2938
5	2945
15	3067
25	2969
35	1167
45	343

**Application Data:**

		0° Aiming Angle Horizontal Footcandles			
		D	FC	L	W
25W	5.0'	63	5.6	5.6	
	7.5'	28	8.6	8.6	
	10.0'	16	11.4	11.4	
	12.5'	10	14.5	14.5	
52W	5.0'	118	5.6	5.6	
	7.5'	53	8.6	8.6	
	10.0'	30	11.4	11.4	
	12.5'	19	14.4	14.4	



**Notes and Definitions:**

Beam spread is to 50% center beam candlepower (CBCP).

**D**=Distance to floor or wall.

**FC**=Footcandles on floor or wall at center beam aiming location.

**L**=Effective Visual Beam length in feet (50% of maximum footcandle level).

**W**=Effective Visual Beam width in feet (50% of maximum footcandle level).

**CB**=Distance across or down to center beam location.

# Classix® 6"

6" Round Lens Downlight



## PROJECT:

## TYPE:

### DIMMING COMPATIBILITY:

Amerlux® Classix fixtures are compatible with all major dimming protocols prevalent in the United States. Please see below for general compatibilities and wiring diagrams. Amerlux recommends testing your unique dimming configuration as the exact full configuration (Dimmer, Fixture Quantity, Voltage, etc) may affect dimming performance.

**--- NOTE: INFORMATION BELOW IS FOR WIRED DIMMERS ONLY. FOR WIRELESS DIMMERS, CONSULT FACTORY ---**

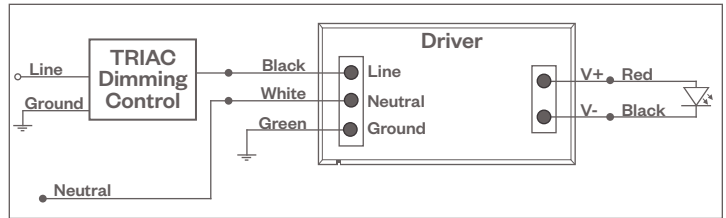
### TRIAC (Forward Phase) DIMMING (Standard)

Utilizes standard TRIAC dimmers that are in wide use in installations across the US. Best for retrofit applications where TRIAC dimmers are installed.

#### Notes:

- 120VAC or 277VAC\*
- Dims down to 5% light output (most cases)
- Consult Dimming manufacturer for installation instructions - DO NOT SHARE NEUTRALS!
- Must meet dimmer Minimum Load Requirements per dimming manufacturer

TRIAC Wiring Diagram



#### Compatible Dimmers†:

##### Wall Box (TRIAC 120VAC)

Lutron "Diva"  
Lutron "Nova-T"  
Lutron "Maestro"  
Lutron "Vareo"  
Lutron "Skylark"

##### Central System

Lutron "GP" Panel  
Lutron Grafik Eye QS

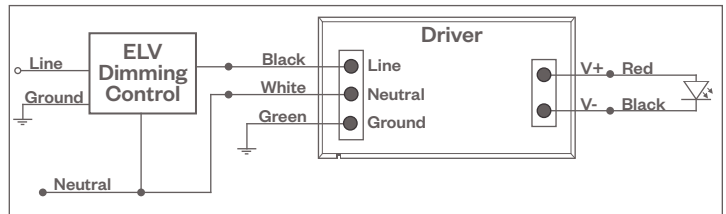
### ELV - Electronic Low Voltage (Reverse Phase) DIMMING (Standard)

Utilizes specialized "ELV" dimmers.

#### Notes:

- 120VAC or 277VAC\*
- Dims down to 5% light output (most cases)
- Consult Dimming manufacturer for installation instructions - DO NOT SHARE NEUTRALS!
- Must meet dimmer Minimum Load Requirements

ELV Wiring Diagram



#### Compatible Dimmers†:

##### Wall Box (ELV 120VAC)

Lutron "Diva"  
Lutron "Nova-T"  
Lutron "Maestro"  
Lutron "Vareo"  
Lutron "Skylark"  
Leviton "Surslide"  
Leviton "Vizio"

##### Wall Box (ELV 277VAC)

Leviton Revoir II AWSMT-E

##### Central System

Lutron "GP" Panel with PHPM-PA 120/277VAC  
Lutron Grafik Eye QS with PHPM-PA 120/277VAC

#### Notes:

- \* Driver is 277VAC dimmable with appropriate dimmer (by others). All provided wiring diagrams show 120VAC wiring colors and method. Please refer to 277VAC dimmer manufacturer installation instructions for 277VAC wiring diagrams.
- † The absence of a dimmer from the lists above does not imply incompatibility. Please consult factory for compatibility inquiries.

# Classix® 6"

6" Round Lens Downlight



**PROJECT:**

**TYPE:**

**DIMMING COMPATIBILITY:**

Amerlux® Classix fixtures are compatible with all major dimming protocols prevalent in the United States. Please see below for general compatibilities and wiring diagrams. Amerlux recommends testing your unique dimming configuration as the exact full configuration (Dimmer, Fixture Quantity, Voltage, etc) may affect dimming performance.

**--- NOTE: INFORMATION BELOW IS FOR WIRED DIMMERS ONLY. FOR WIRELESS DIMMERS, CONSULT FACTORY ---**

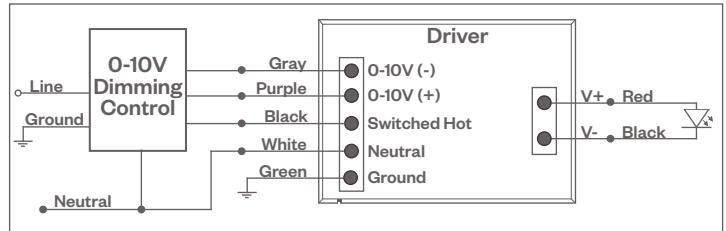
**0-10V DIMMING**

Integrates into a variety of building management and daylighting controls

**Notes:**

- 120VAC or 277VAC\*
- Dims down to 1% light output
- Requires interface to turn off power to driver
- Consult Dimming manufacturer for installation instructions - DO NOT SHARE NEUTRALS!

**0-10V Wiring Diagram**



**Compatible Dimmers†:**

**Wall Box**

Lutron "Diva" - DTVV with PP-120H Interface

**Central System**

Leviton Renoir II 0-10V

Lutron Grafik Eye with GRX-TVI Interface

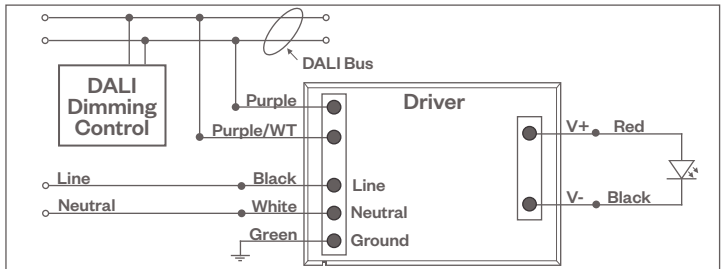
**DALI DIMMING**

Digital control protocol allows individual fixture control

**Notes:**

- 120VAC - 277VAC\*
- Dims down to 1% light output in most cases

**DALI Wiring Diagram**



**Compatible Dimmers†:**

**Wall Box (3-Wire Fluorescent)**

Leviton CD250 Controller

**Central System**

Dynalite  
Fifth Light

**Notes:**

\* Driver is 277VAC dimmable with appropriate dimmer (by others). All provided wiring diagrams show 120VAC wiring colors and method. Please refer to 277VAC dimmer manufacturer installation instructions for 277VAC wiring diagrams.

† The absence of a dimmer from the lists above does not imply incompatibility. Please consult factory for compatibility inquiries.