

Classix® 6"

6" Round Lens Wall Wash



Features

The Classix Lensed Wall Wash shines new light on your bigger jobs. With a unique Amerlux® blend of architectural form and function, Classix performs perfectly in large retail and commercial spaces. Designed for higher ceilings, this wall washer features high output and a commercial grade lens providing for an even wash of light on vertical wall surface. Remodeler version is ideal for existing application as this fixture installs from-below into ceilings.

Product Overview

Type:	Recessed Round Wall Wash
Wattage:	25, 34, 45, 52
Lumen Output:	3,729 max; Lm/W (52W data)
CBCP:	1,479 max (52W data)
Color Temp:	2700K, 3000K, 3500K, 4000K, CRISP
CRI:	83 typ. (2700K, 3000K, 3500K, 4000K) 90+ typ. (2700K, 3000K)
Dimming:	CrispWhite & 3K Class A LEDs available TRIAC & ELV (120/277VAC) - 5% Dim 0-10V (120/277VAC) - 1% Dim DALI - 1% Dim

PROJECT:

TYPE:

Fixture Type

Round	New Construction	Remodeler	Trim
Yes	Yes	Yes	Yes

Performance Chart

Watts	Delivered Lumens	LPW	CBCP	Color Temp
25	1,972	80.4	780	3000K-83
34	2,648	77.9	1,050	3000K-83
45	3,356	74.6	1,331	3000K-83
52	3,729	72.1	1,479	3000K-83

Data is based on 52W 3000K-83 IES files available on website
See page 5 for other beam spreads

Electrical Data

	25W		34W		45W		52W	
	System Watts	Amps	System Watts	Amps	System Watts	Amps	System Watts	Amps
120V	25	0.21	34	0.28	45	0.38	52	0.43
277V	25	0.09	34	0.12	45	0.16	52	0.19

Electronic constant current LED driver



Classix® 6"

6" Round Lens Wall Wash



PROJECT:

TYPE:

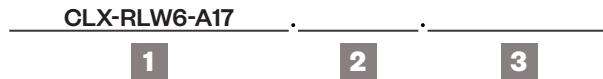
Housing/Frame Ordering Information



- 1** Model
For New Construction
CLX-R6-NC-A17† (New Construction)

For Existing Ceilings
CLX-R6-REM-A17† (Remodeler)
- 2** Wattage
25
34
45
52
- 3** Voltage
120
277
- 4** Driver (for non-dimming, select LE/TE option)
LE/TE - TRIAC/ELV dimming
0-10V - 0-10V dimming, 1% dim
DALI - DALI dimming, 1% dim (25W, 34W & 46W only)

Trim Ordering Information



- 1** Model
CLX-RLW6-A17†
- 2** Finish
SDW - semi-diffuse, white flange
SDC - semi-diffuse, clear flange (flange finish matches cone finish)
- 3** Color Temp
83 CRI 90+ CRI
27 - 2700K-83 **279** - 2700K-90+ **CRISP** - CrispWhite
30 - 3000K-83 **309** - 3000K-90+ **3CLA** - 3K Class A
35 - 3500K-83
40 - 4000K-83

† The "A" refers to the sequential revision in a year and "XX" refers to the year of update. Updates coincide with improved performance while not changing the overall fixture aesthetic and are reflected in the published performance data. Please contact your Amerlux representative for explanations of changes.

Classix® 6"

6" Round Lens Wall Wash



PROJECT:

TYPE:

Specifications

Application

Retail, commercial and hospitality wall wash lighting

Construction

20 ga. galvanized steel frame
18 ga. galvanized steel splice housing and hanger brackets (not for Remodeler version)
Passive cooling
Extruded aluminum heat sink

Optical

Engineered nano technology lens provides transmission while concealing LED image
Spun aluminum semi-diffuse aperture cone
Wall wash beam distribution

LED

Color Temp Options:

2700K, 3000K, 3500K, 4000K

CRI: 83 typ. (2700K, 3000K, 3500K, 4000K)

90+ typ. (2700K, 3000K)

CrispWhite* LED available (see description below)

R9 Values: 11 (83 CRI), 55 (92 CRI)

Binning: 3 MacAdam (SDCM)

Life: 50,000+ hrs, > 70% of initial lumens at 50,000 hrs

**CrispWhite: CrispWhite Technology delivers the warmth of colors expected from a high 90 CRI solution but also creates the natural crisp white color that is pleasing to the eye. It creates the most impactful lighting ever available, by revealing the richest whites and vibrant colors that pop.*

Electrical

Wattage: 25, 34, 45, 52

Electronic constant current LED driver, 120/277VAC input

This product complies with IEEE C62.41 for surge endurance up to 2.5KV. Amerlux® recommends using additional surge protection with this unit (supplied by others), surge and over voltage damage is not covered under warranty.

Drivers

LE/TE - Leading Edge, TRIAC, forward phase/Trailing Edge, ELV, reverse phase (standard)

0-10V and DALI systems also available

See pages 6-7 for more dimming information

Finish (Trim)

Wet paint

Mounting

For use in T-grid or sheetrock ceilings

1" max ceiling thickness

Adjustable hanger bars included (14 1/2" - 25" std.)

(32"-48" Adjustable hanger bars available, consult factory)

Certifications

CSA damp as tested to UL 1598 standards

Damp location

Warranty

5 year limited warranty

Classix® 6"

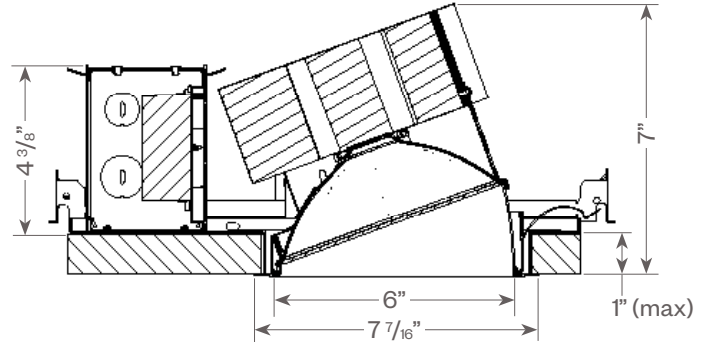
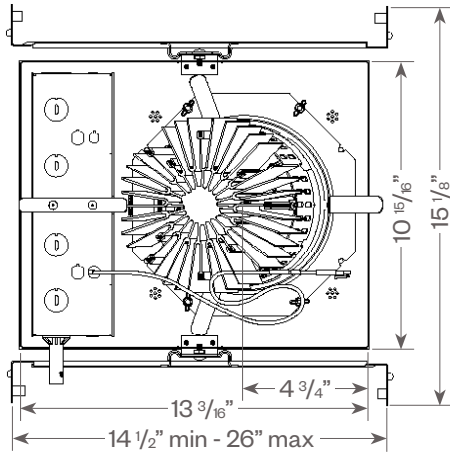
6" Round Lens Wall Wash



PROJECT:

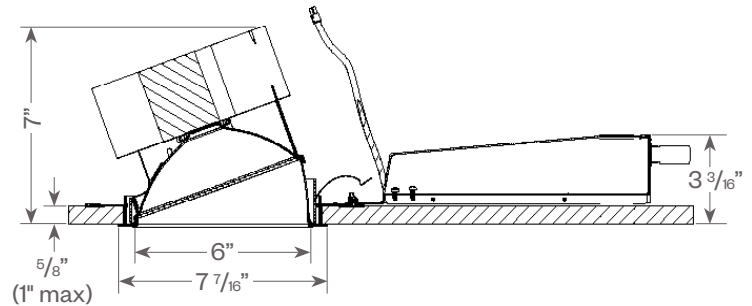
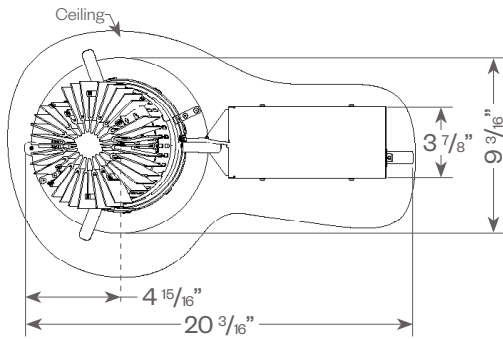
TYPE:

**Classix Round Lens Wall Wash:
New Construction**



Ceiling cut out: 7" dia.

Remodeler



Ceiling cut out: 7" dia.

Classix® 6"

6" Round Lens Wall Wash



PROJECT:

TYPE:

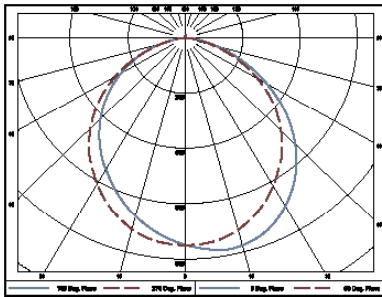
FIXTURE DATA: (Complete photometric data (.ies format) available upon request)

MULTIPLYING FACTORS: (Multiplying Factor is based on 3000K-83 120V IES file on website)

Wattage:	34W	45W	52W
Factor:	0.71	0.90	1.0

CCT:	2700K-83	3000K-83	3500K-83	4000K-83	2700K-90+	3000K-90+	CRISP	3CLA
Factor:	0.96	1.0	1.02	1.04	0.80	0.83	0.65	0.75

25W LED (3000K)
LTL #1031471
Lumens: 1,973

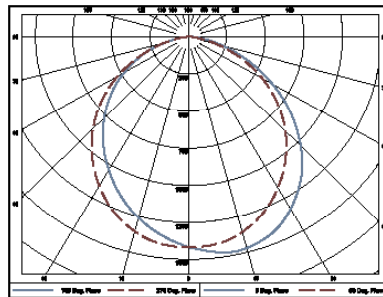


ZONAL LUMEN SUMMARY

Zone	Lumens	%Fixt
0-40	940	47.7
0-60	1624	82.3
0-90	1972	100.0
90-180	0	0.0

Luminaire Efficacy: 80.4 lumens/watt

52W LED (3000K)
LTL #1031469
Lumens: 3,729



ZONAL LUMEN SUMMARY

Zone	Lumens	%Fixt
0-40	1179	47.7
0-60	3068	82.3
0-90	3729	100.0
90-180	0	0.0

Luminaire Efficacy: 72.1 lumens/watt

Application Data:

Footcandles on Wall

Footcandles are average and rounded off.
Data for multiple units are based on a minimum of five units.

25W LED (3000K)

3 Feet From Wall

Distance from ceiling	4' Spacing												
	0.5'	8	9	10	9	8	9	10	9	8	9	10	9
1.5'	25	27	30	27	25	27	30	27	25	27	30	27	25
2.5'	32	34	36	35	33	35	36	35	33	35	36	34	32
3.5'	29	31	32	32	31	32	33	32	31	32	32	31	30
4.5'	24	25	26	26	26	27	27	27	26	26	26	26	25
5.5'	20	20	21	21	22	22	22	22	22	21	21	20	20
6.5'	16	17	17	18	18	18	18	18	18	18	17	17	16
7.5'	13	14	14	15	15	15	15	15	15	15	14	14	13

52W LED (3000K)

3 Feet From Wall

Distance from ceiling	4' Spacing												
	0.5'	15	17	20	17	15	17	20	17	15	17	20	17
1.5'	47	52	58	52	48	52	58	52	48	52	58	52	47
2.5'	60	64	68	66	63	66	69	66	63	66	68	65	61
3.5'	56	59	61	60	59	60	63	60	59	60	61	59	56
4.5'	46	48	50	50	49	51	51	51	49	50	50	48	47
5.5'	37	39	40	40	41	41	42	41	41	40	40	39	37
6.5'	30	31	33	33	33	34	34	34	34	33	33	31	30
7.5'	25	26	27	28	28	28	28	28	28	28	27	26	25

Classix® 6"

6" Round Lens Wall Wash



PROJECT:

TYPE:

DIMMING COMPATIBILITY:

Amerlux® Classix fixtures are compatible with all major dimming protocols prevalent in the United States. Please see below for general compatibilities and wiring diagrams. Amerlux recommends testing your unique dimming configuration as the exact full configuration (Dimmer, Fixture Quantity, Voltage, etc) may affect dimming performance.

--- NOTE: INFORMATION BELOW IS FOR WIRED DIMMERS ONLY. FOR WIRELESS DIMMERS, CONSULT FACTORY ---

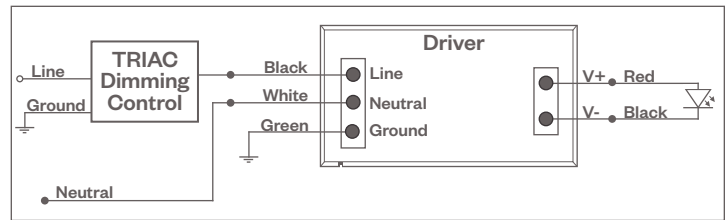
TRIAC (Forward Phase) DIMMING (Standard)

Utilizes standard TRIAC dimmers that are in wide use in installations across the US. Best for retrofit applications where TRIAC dimmers are installed.

Notes:

- 120VAC or 277VAC*
- Dims down to 5% light output (most cases)
- Consult Dimming manufacturer for installation instructions - DO NOT SHARE NEUTRALS!
- Must meet dimmer Minimum Load Requirements per dimming manufacturer

TRIAC Wiring Diagram



Compatible Dimmers†:

Wall Box (TRIAC 120VAC)	Central System
Lutron "Diva"	Lutron "GP" Panel
Lutron "Nova-T"	Lutron Grafik Eye QS
Lutron "Maestro"	
Lutron "Vareo"	
Lutron "Skylark"	

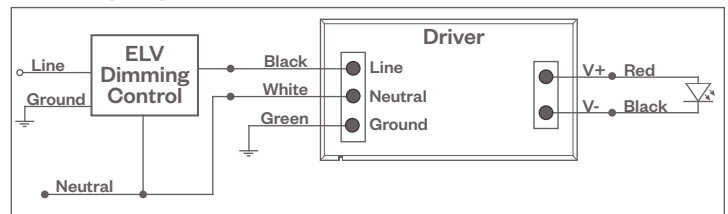
ELV - Electronic Low Voltage (Reverse Phase) DIMMING (Standard)

Utilizes specialized "ELV" dimmers.

Notes:

- 120VAC or 277VAC*
- Dims down to 5% light output (most cases)
- Consult Dimming manufacturer for installation instructions - DO NOT SHARE NEUTRALS!
- Must meet dimmer Minimum Load Requirements

ELV Wiring Diagram



Compatible Dimmers†:

Wall Box (ELV 120VAC)	Wall Box (ELV 277VAC)	Central System
Lutron "Diva"	Leviton Revoir II AWSMT-E	Lutron "GP" Panel with PHPM-PA 120/277VAC
Lutron "Nova-T"		Lutron Grafik Eye QS with PHPM-PA 120/277VAC
Lutron "Maestro"		
Lutron "Vareo"		
Lutron "Skylark"		
Leviton "Surslide"		
Leviton "Vizio"		

Notes:

- * Driver is 277VAC dimmable with appropriate dimmer (by others). All provided wiring diagrams show 120VAC wiring colors and method. Please refer to 277VAC dimmer manufacturer installation instructions for 277VAC wiring diagrams.
- † The absence of a dimmer from the lists above does not imply incompatibility. Please consult factory for compatibility inquiries.

Classix® 6"

6" Round Lens Wall Wash



PROJECT:

TYPE:

DIMMING COMPATIBILITY:

Amerlux® Classix fixtures are compatible with all major dimming protocols prevalent in the United States. Please see below for general compatibilities and wiring diagrams. Amerlux recommends testing your unique dimming configuration as the exact full configuration (Dimmer, Fixture Quantity, Voltage, etc) may affect dimming performance.

--- NOTE: INFORMATION BELOW IS FOR WIRED DIMMERS ONLY. FOR WIRELESS DIMMERS, CONSULT FACTORY ---

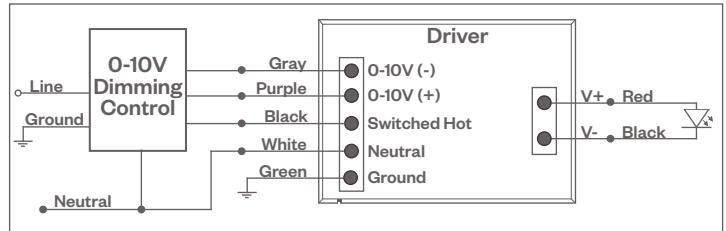
0-10V DIMMING

Integrates into a variety of building management and daylighting controls

Notes:

- 120VAC or 277VAC*
- Dims down to 1% light output
- Requires interface to turn off power to driver
- Consult Dimming manufacturer for installation instructions - DO NOT SHARE NEUTRALS!

0-10V Wiring Diagram



Compatible Dimmers†:

Wall Box

Lutron "Diva" - DTVV with PP-120H Interface

Central System

Leviton Renoir II 0-10V

Lutron Grafik Eye with GRX-TVI Interface

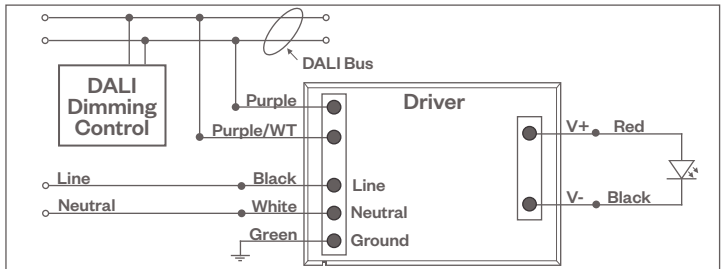
DALI DIMMING

Digital control protocol allows individual fixture control

Notes:

- 120VAC - 277VAC*
- Dims down to 1% light output in most cases

DALI Wiring Diagram



Compatible Dimmers†:

Wall Box (3-Wire Fluorescent)

Leviton CD250 Controller

Central System

Dynalite
Fifth Light

Notes:

* Driver is 277VAC dimmable with appropriate dimmer (by others). All provided wiring diagrams show 120VAC wiring colors and method. Please refer to 277VAC dimmer manufacturer installation instructions for 277VAC wiring diagrams.

† The absence of a dimmer from the lists above does not imply incompatibility. Please consult factory for compatibility inquiries.