

# Classix® 6" HP

6" High Power Round Lens

Wall Wash



## Features

Expanding the Classix downlight family, the Classix High Power (HP) downlights offer a higher wattage, for those areas that need more output. With a unique Amerlux® blend of architectural form and function, Classix performs perfectly in large retail and commercial spaces. Designed for higher ceilings, this downlight features high output and a commercial grade lens.

## Product Overview

|               |   |
|---------------|---|
| Type:         | Recessed Round Wall Wash  |
| Wattage:      | 73  |
| Lumen Output: | 4,131 max; 55.4 Lm/W  |
| CBCP:         | 1,661 max   |
| Color Temp:   | 2700K, 3000K, 3500K, Class A                                    |
| CRI:          | 83 typ. (2700K, 3000K, 3500K)<br>90+ typ. (2700K, 3000K, 3500K) |
|               | Class A, 3000K LED available                                    |
| Dimming:      | 0-10V (120/277VAC) - 1% Dim                                     |

## PROJECT:

## TYPE:

## Fixture Type

| Round | New Construction | Trim |
|-------|------------------|------|
| Yes   | Yes              | Yes  |

## Performance Chart

| Watts | Delivered Lumens | LPW  | CBCP  | Color Temp |
|-------|------------------|------|-------|------------|
| 73    | 4,131            | 55.4 | 1,661 | 3000K-83   |

Data is based on 3000K-83 IES files available on website

## Electrical Data

|      | 73W          |      |
|------|--------------|------|
|      | System Watts | Amps |
| 120V | 73           | 0.61 |
| 277V | 73           | 0.26 |

Electronic constant current LED driver



# Classix® 6" HP

6" High Power Round Lens Wall Wash



## PROJECT:

## TYPE:

### Housing/Frame Ordering Information

CLX-HP-R6-NC-A17 . 73 . 0-10V  
**1**                      **2**                      **3**                      **4**

- 1** Model  
For New Construction  
CLX-HP-R6-NC-A17† (New Construction)
- 2** Wattage  
73
- 3** Voltage  
120  
277
- 4** Driver (for non-dimming, select 0-10V option)  
0-10V - 0-10V dimming, 1% dim

### Trim Ordering Information

CLX-HP-RLW6-A17 . . .  
**1**                      **2**                      **3**

- 1** Model  
CLX-HP-RLW6-A17†
- 2** Finish  
SDW - semi-diffuse, white flange  
SDC - semi-diffuse, clear flange (flange finish matches cone finish)
- 3** Color Temp  
83 CRI                      90+ CRI  
27 - 2700K-83    279 - 2700K-90+    3CLA - 3K Class A  
30 - 3000K-83    309 - 3000K-90+  
35 - 3500K-83    359 - 3500K-90+

† The "A" refers to the sequential revision in a year and "XX" refers to the year of update. Updates coincide with improved performance while not changing the overall fixture aesthetic and are reflected in the published performance data. Please contact your Amerlux representative for explanations of changes.

# Classix® 6" HP

6" High Power Round Lens Wall Wash



## PROJECT:

## TYPE:

### Specifications

#### Application

Retail, commercial and hospitality wall wash lighting

#### Construction

20 ga. galvanized steel frame  
18 ga. galvanized steel splice housing and hanger brackets  
(not for Remodeler version)  
Passive cooling  
Extruded aluminum heat sink

#### Optical

Engineered nano technology lens provides transmission while concealing LED image  
Spun aluminum semi-diffuse aperture cone  
Wall wash beam distribution

#### LED

Color Temp Options:  
2700K, 3000K, 3500K  
CRI: 83 typ. (2700K, 3000K, 3500K)  
90+ typ. (2700K, 3000K, 3500K)  
Class A\* 3000K LED available (see description below)  
R9 Values: 11 (83 CRI), 55 (92 CRI)  
Binning: 3 MacAdam (SDCM)  
Life: 50,000+ hrs, > 70% of initial lumens at 50,000 hrs

*\*Class A LED: Class A LED's have a CRI > 80 and a GAI > 80. CRI defines color "Naturalness" and GAI defines color "Saturation." Both being high delivers rich colors and pure whites.*

#### Electrical

Wattage: 73  
Electronic constant current LED driver, 120/277VAC input  
**This product complies with IEEE C62.41 for surge endurance up to 2.5KV. Amerlux® recommends using additional surge protection with this unit (supplied by others), surge and over voltage damage is not covered under warranty.**

#### Drivers

0-10V dimming driver  
*See page 6 for more dimming information*

#### Finish (Trim)

Wet paint

#### Mounting

For use in T-grid or sheetrock ceilings  
1" max ceiling thickness  
Adjustable hanger bars included (14 1/2" - 25" std.)  
*(32"-48" Adjustable hanger bars available, consult factory)*

#### Certifications

CSA damp as tested to UL 1598 standards  
Damp location

#### Warranty

5 year limited warranty

# Classix® 6" HP

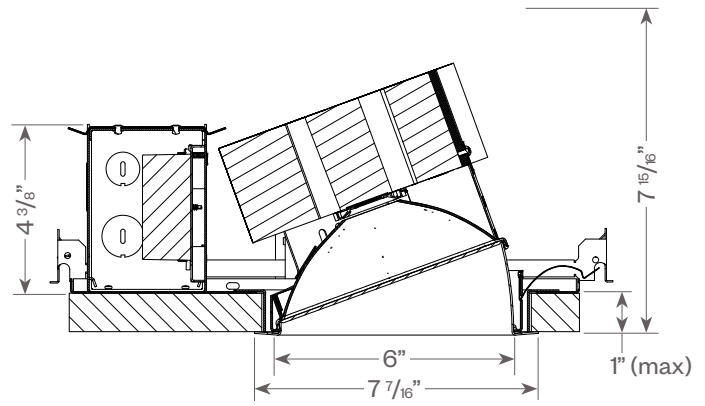
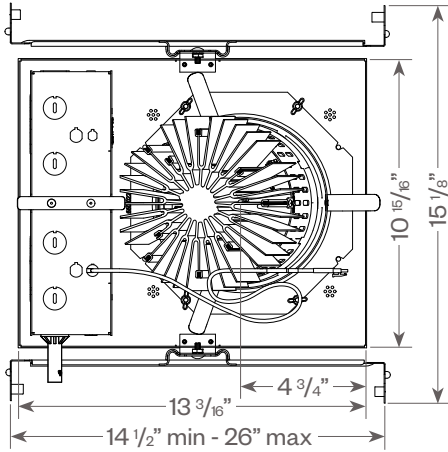
6" High Power Round Lens Wall Wash



**PROJECT:**

**TYPE:**

**Classix HP Round Lens Wall Wash:  
New Construction**



Ceiling cut out: 7" dia.

# Classix® 6" HP

6" High Power Round Lens Wall Wash



## PROJECT:

## TYPE:

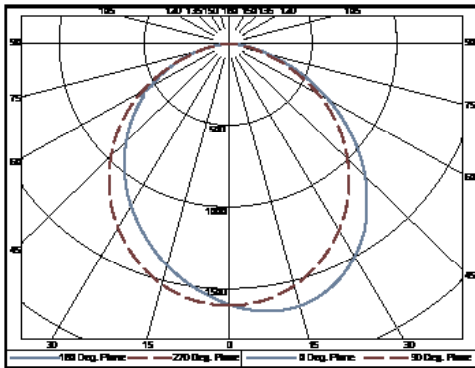
**FIXTURE DATA:** (Complete photometric data (.ies format) available upon request)

**MULTIPLYING FACTORS:** (Multiplying Factor is based on 3000K-83 120V IES file on website)

| CCT:    | 2700K-83 | 3000K-83 | 3500K-83 | 4000K-83 | 2700K-90+ | 3000K-90+ | 3CLA |
|---------|----------|----------|----------|----------|-----------|-----------|------|
| Factor: | 0.96     | 1.0      | 1.02     | 1.04     | 0.80      | 0.83      | 0.75 |

## 73W LED

LTL #1238759  
Lumens: 4,131; 55.4 Lm/W



### ZONAL LUMEN SUMMARY

| Zone   | Lumens | %Fixt |
|--------|--------|-------|
| 0-40   | 1990   | 48.2  |
| 0-60   | 3417   | 82.7  |
| 0-90   | 4131   | 100.0 |
| 90-180 | 0      | 0.0   |

**Luminaire Efficacy: 55.4 lumens/watt**

## Application Data:

## Footcandles on Wall

Footcandles are average and rounded off.  
Data for multiple units are based on a minimum of five units.

3 Feet From Wall

| Distance from ceiling | 4'   |      |      |      | 4'   |      |      |      |
|-----------------------|------|------|------|------|------|------|------|------|
|                       | 0.5' | 1.5' | 2.5' | 3.5' | 0.5' | 1.5' | 2.5' | 3.5' |
| 0.5'                  | 20   | 17   | 16   | 17   | 20   | 17   | 16   | 17   |
| 1.5'                  | 62   | 56   | 52   | 56   | 62   | 56   | 52   | 56   |
| 2.5'                  | 75   | 72   | 69   | 72   | 76   | 72   | 69   | 72   |
| 3.5'                  | 68   | 66   | 65   | 66   | 69   | 66   | 65   | 66   |
| 4.5'                  | 55   | 55   | 55   | 56   | 57   | 56   | 55   | 55   |
| 5.5'                  | 44   | 45   | 46   | 46   | 46   | 46   | 46   | 45   |
| 6.5'                  | 36   | 37   | 37   | 38   | 38   | 38   | 37   | 37   |
| 7.5'                  | 30   | 31   | 31   | 31   | 32   | 31   | 31   | 30   |
| 8.5'                  | 26   | 26   | 27   | 27   | 27   | 27   | 27   | 26   |

# Classix® 6" HP

6" High Power Round Lens Wall Wash



## PROJECT:

## TYPE:

### DIMMING COMPATIBILITY:

Amerlux® Classix fixtures are compatible with all major dimming protocols prevalent in the United States. Please see below for general compatibilities and wiring diagrams. Amerlux recommends testing your unique dimming configuration as the exact full configuration (Dimmer, Fixture Quantity, Voltage, etc) may affect dimming performance.

**--- NOTE: INFORMATION BELOW IS FOR WIRED DIMMERS ONLY. FOR WIRELESS DIMMERS, CONSULT FACTORY ---**

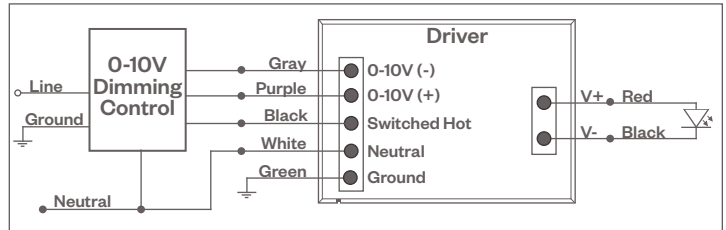
### 0-10V - DIMMING (-0-10V Option)

Integrates into a variety of building management and daylighting controls

#### Notes:

- 120VAC or 277VAC\*
- Dims down to 1% light output
- Requires interface to turn off power to driver
- Consult Dimming manufacturer for installation instructions - DO NOT SHARE NEUTRALS!

### 0-10V Wiring Diagram



#### Compatible Dimmers†:

##### Wall Box

Lutron "Diva" - DTV with PP-120H Interface

Leviton Renoir II 0-10V

##### Central System

Lutron Grafik Eye with GRX-TVI Interface

#### Notes:

\* Driver is 277VAC dimmable with appropriate dimmer (by others). All provided wiring diagrams show 120VAC wiring colors and method. Please refer to 277VAC dimmer installation instructions for 277VAC wiring diagrams.

† The absence of a dimmer from the lists above does not imply incompatibility. Please consult factory for compatibility inquiries.