

# Classix® 6"

## 6" Round Adjustable C3M



### Features

The Classix Adjustable downlight shines new light on your bigger jobs. With a unique Amerlux® blend of architectural form and function, Classix performs perfectly in large retail and commercial spaces. Designed for higher ceilings, this downlight features high output, various beam options.

### Product Overview

Type:	Recessed Round Adjustable
Wattage:	23
Color Temp:	2200K, 2700K, 3000K, 3500K, 4000K, CRISP
CRI:	83 typ. (2700K, 3000K, 3500K, 4000K) 90+ typ. (2200K, 2700K, 3000K, 3500K, 4000K) CrispWhite & 3K Class A available
Dimming:	TRIAC & ELV (120/277VAC) - 5% Dim Lutron Hi-lume® H-Series (120/277VAC) - EcoSystem, 1% Dim 0-10V (120/277VAC) - 1% Dim DALI - 1% Dim

### PROJECT:

### TYPE:

### Fixture Type

Round	New Construction	Trim
Yes	Yes	Yes

### Electrical Data

	23W	
	System Watts	Amps
120V	23	0.19
277V	23	0.08

Electronic constant current LED driver



# Classix® 6" Round Adj C3M

6" Round Adjustable C3M



## PROJECT:

## TYPE:

### Housing/Frame Ordering Information

**CLX-RA6-C3M-NC-A17** . **23** . . . . .

**1**                      **2**                      **3**                      **4**                      **5**                      **6**

- |  |   |
|--|---|
| <p><b>1</b> <u>Model</u><br/>For New Construction<br/><b>CLX-RA6-C3M-NC-A17*</b> (New Construction)</p> <p><b>2</b> <u>Wattage</u><br/>23</p> <p><b>3</b> <u>Voltage</u><br/>120<br/>277</p> <p><b>4</b> <u>Beam Spreads</u><br/>SP - spot, 14°<br/>VNF - very narrow flood, 18°<br/>NF - narrow flood, 23°<br/>FL - flood, 34°<br/>WF - wide flood, 44°</p> | <p><b>5</b> <u>Color Temp</u><br/>83 CRI                      90+ CRI<br/>27 - 2700K-83    229 - 2200K-90+    <b>CRISP</b> - CrispWhite<br/>30 - 3000K-83    279 - 2700K-90+    <b>3CLA</b> - 3K Class A<br/>35 - 3500K-83    309 - 3000K-90+<br/>40 - 4000K-83    359 - 3500K-90+<br/>   409 - 4000K-90+</p> <p><b>6</b> <u>Driver</u> (for non-dimming, select LE/TE option)<br/><b>LE/TE</b> - TRIAC/ELV dimming<br/><b>O-10V</b> - 0-10v dimming, 1% dim<br/><b>HILUME-H-ECO</b> - Lutron Hi-lume® H-Series, EcoSystem, 1% dim<br/><b>DALI</b> - DALI dimming, 1% dim</p> |
|--|---|

### Trim Ordering Information

**CLX-RA6-C3M-A17** . . . . .

**1**                      **2**

- 1** Model  
**CLX-RA6-C3M-A17\***
- 2** Finish  
**SDW** - semi-diffuse, white flange  
**SDC** - semi-diffuse, clear flange (flange finish matches cone finish)

\* The "A" refers to the sequential revision in a year and "XX" refers to the year of update. Updates coincide with improved performance while not changing the overall fixture aesthetic and are reflected in the published performance data. Please contact your Amerlux representative for explanations of changes.

# Classix® 6" Round Adj C3M

6" Round Adjustable C3M



## PROJECT:

## TYPE:

### Specifications

#### Application

Retail, commercial and hospitality accent and display lighting

#### Construction

20 ga. steel painted matte black  
Formed aperture plate with 5/8" lip  
Integral adjustable locking mounting bars  
Thermally protected  
Die-cast lamp housing and heat sink

#### Reflector Construction

Spun aluminum self-flanged reflector with angle cut  
Semi-diffuse aperture finish in both white and clear flange  
Steel mounting ring with torsion spring

#### Optical

0-35° tilt, 360°+ rotation  
**Beam options:** Spot, 14°; Very Narrow Flood, 18°;  
Narrow Flood, 23°; Flood, 34°; Wide Flood, 44°  
Field interchangeable spun aluminum reflectors

#### LED

**Color Temp Options:**  
2200K, 2700K, 3000K, 3500K, 4000K  
**CRI:** 83 typ. (2700K, 3000K, 3500K, 4000K)  
90+ typ. (2200K, 2700K, 3000K)  
CrispWhite\* available (see below \* for description)  
Class A\*\* 3000K (high CRI, high gamut) available  
**R9 Values:** 11 (83 CRI), 55 (92 CRI)  
**Binning:** 3 MacAdam (SDCM)  
**Life:** 50,000+ hrs, > 70% of initial lumens at 50,000 hrs

*\*CrispWhite: CrispWhite Technology delivers the warmth of colors expected from a high 90 CRI solution but also creates the natural crisp white color that is pleasing to the eye. It creates the most impactful lighting ever available, by revealing the richest whites and vibrant colors that pop.*

*\*\*Class A LED: Class A LED's have a CRI > 80 and a GAI > 80. CRI defines color "Naturalness" and GAI defines color "Saturation." Both being high delivers rich colors and pure whites.*

#### Electrical

**Wattage:** 23

Electronic constant current LED driver, 120/277VAC input

**This product complies with IEEE C62.41 for surge endurance up to 2.5KV. Amerlux® recommends using additional surge protection with this unit (supplied by others), surge and over voltage damage is not covered under warranty.**

#### Drivers

LE/TE - Leading Edge, TRIAC, forward phase/Trailing Edge,  
ELV, reverse phase (standard)  
0-10V, Lutron and DALI systems also available  
*See pages 5-6 for more dimming information*

#### Finish

Wet paint

#### Mounting

For use in T-grid or sheetrock ceilings  
1" max ceiling thickness  
Hanger bars included

#### Certifications

CSA damp as tested to UL 1598 standards  
Damp location

#### Warranty

5 year limited warranty

# Classix<sup>®</sup> 6" Round Adj C3M

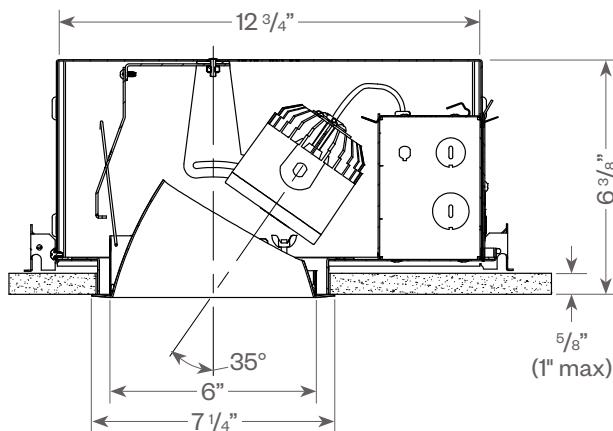
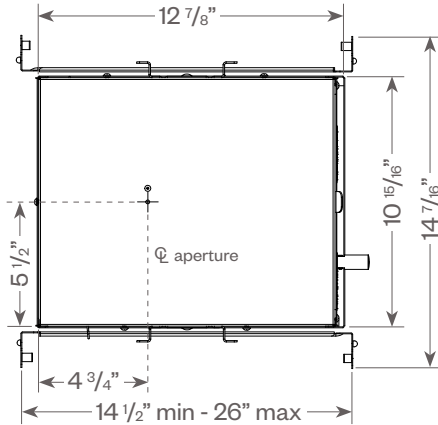
6" Round Adjustable C3M



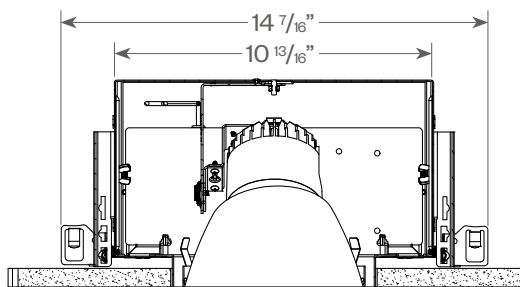
PROJECT:

TYPE:

Classix Round Adjustable:



Ceiling cut out: 6 7/8" dia.



# Classix® 6" Round Adj C3M

6" Round Adjustable C3M



## PROJECT:

## TYPE:

### DIMMING COMPATIBILITY:

Amerlux® Classix fixtures are compatible with all major dimming protocols prevalent in the United States. Please see below for general compatibilities and wiring diagrams. Amerlux recommends testing your unique dimming configuration as the exact full configuration (Dimmer, Fixture Quantity, Voltage, etc) may affect dimming performance.

**--- NOTE: INFORMATION BELOW IS FOR WIRED DIMMERS ONLY. FOR WIRELESS DIMMERS, CONSULT FACTORY ---**

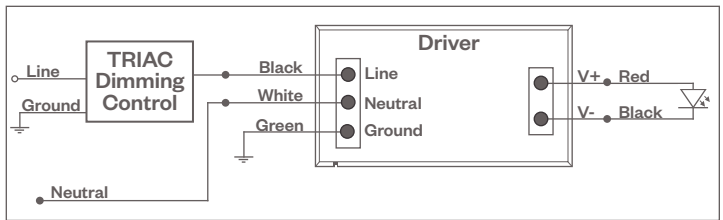
### TRIAC (Forward Phase) DIMMING (Standard)

Utilizes standard TRIAC dimmers that are in wide use in installations across the US. Best for retrofit applications where TRIAC dimmers are installed.

#### Notes:

- 120VAC or 277VAC\*
- Dims down to 5% light output (most cases)
- Consult Dimming manufacturer for installation instructions - DO NOT SHARE NEUTRALS!
- Must meet dimmer Minimum Load Requirements per dimming manufacturer

TRIAC Wiring Diagram



#### Compatible Dimmers†:

##### Wall Box (TRIAC 120VAC)

Lutron "Diva"  
Lutron "Nova-T"  
Lutron "Maestro"  
Lutron "Vareo"  
Lutron "Skylark"

##### Central System

Lutron "GP" Panel  
Lutron Grafik Eye QS

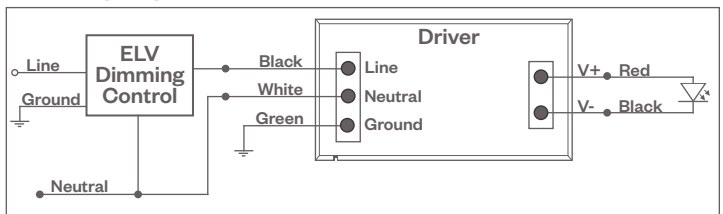
### ELV - Electronic Low Voltage (Reverse Phase) DIMMING (Standard)

Utilizes specialized "ELV" dimmers.

#### Notes:

- 120VAC or 277VAC\*
- Dims down to 5% light output (most cases)
- Consult Dimming manufacturer for installation instructions - DO NOT SHARE NEUTRALS!
- Must meet dimmer Minimum Load Requirements

ELV Wiring Diagram



#### Compatible Dimmers†:

##### Wall Box (ELV 120VAC)

Lutron "Diva"  
Lutron "Nova-T"  
Lutron "Maestro"  
Lutron "Vareo"  
Lutron "Skylark"  
Leviton "Surslide"  
Leviton "Vizio"

##### Wall Box (ELV 277VAC)

Leviton Revoir II AWSMT-E

##### Central System

Lutron "GP" Panel with PHPM-PA 120/277VAC  
Lutron Grafik Eye QS with PHPM-PA 120/277VAC

#### Notes:

- \* Driver is 277VAC dimmable with appropriate dimmer (by others). All provided wiring diagrams show 120VAC wiring colors and method. Please refer to 277VAC dimmer manufacturer installation instructions for 277VAC wiring diagrams.
- † The absence of a dimmer from the lists above does not imply incompatibility. Please consult factory for compatibility inquiries.

# Classix® 6" Round Adj C3M

6" Round Adjustable C3M



## PROJECT:

## TYPE:

### DIMMING COMPATIBILITY:

Amerlux® Classix fixtures are compatible with all major dimming protocols prevalent in the United States. Please see below for general compatibilities and wiring diagrams. Amerlux recommends testing your unique dimming configuration as the exact full configuration (Dimmer, Fixture Quantity, Voltage, etc) may affect dimming performance.

**--- NOTE: INFORMATION BELOW IS FOR WIRED DIMMERS ONLY. FOR WIRELESS DIMMERS, CONSULT FACTORY ---**

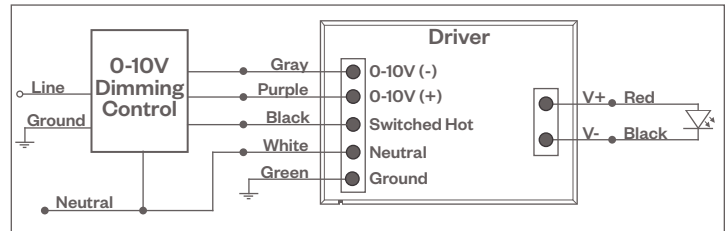
### 0-10V DIMMING

Integrates into a variety of building management and daylighting controls

#### Notes:

- 120VAC or 277VAC\*
- Dims down to 1% light output
- Requires interface to turn off power to driver
- Consult Dimming manufacturer for installation instructions - DO NOT SHARE NEUTRALS!

#### 0-10V Wiring Diagram



#### Compatible Dimmers†:

##### Wall Box

Lutron "Diva" - DTVV with PP-120H Interface

Leviton Renoir II 0-10V

##### Central System

Lutron Grafik Eye with GRX-TVI Interface

### LUTRON H-SERIES / ECOSYSTEM (-HILUME-H-ECO Option)

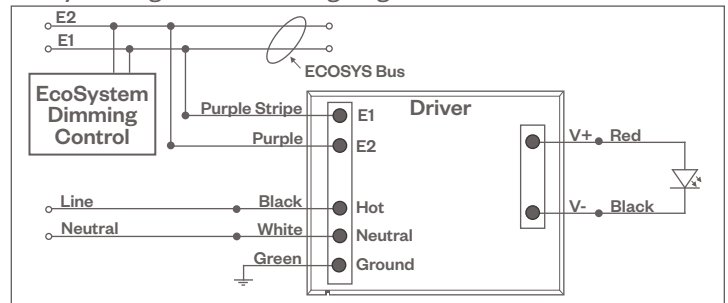
Integrates into Lutron EcoSystem building management

#### Notes:

- 120VAC or 277VAC\*
- Dims down to 1% light output
- EcoSystem Control
- Consult Dimming manufacturer for installation instructions - DO NOT SHARE NEUTRALS!

#### HILUME-H-ECO, HILUME-5-ECO

#### EcoSystem Digital Control Wiring Diagram



#### Compatible Dimmers†:

##### Lutron ECO System

Pow Pak Dimming Modules  
Energizer Savr Node  
Grafik Eye QS/Homeworks  
QS Control Unit  
Quantum Hub  
Homeworks QS/My Room

##### Central System

Lutron EcoSystem compatible controls

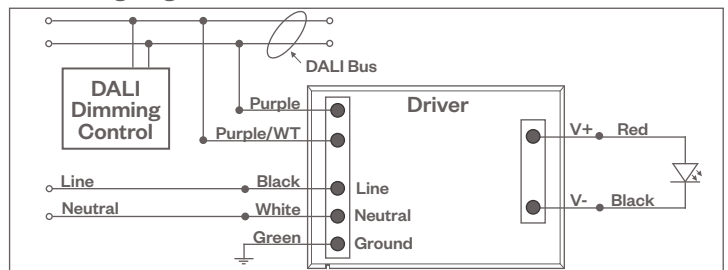
### DALI DIMMING (-DALI OPTION)

Digital control protocol allows individual fixture control

#### Notes:

- 120VAC - 277VAC\*
- Dims down to 1% light output in most cases

#### DALI Wiring Diagram



#### Compatible Dimmers†:

##### Wall Box (3-Wire Fluorescent)

Leviton CD250 Controller

##### Central System

Dynalite  
Fifth Light

#### Notes:

- \* Driver is 277VAC dimmable with appropriate dimmer (by others). All provided wiring diagrams show 120VAC wiring colors and method. Please refer to 277VAC dimmer manufacturer installation instructions for 277VAC wiring diagrams.
- † The absence of a dimmer from the lists above does not imply incompatibility. Please consult factory for compatibility inquiries.