



# D801-LED

## Sphere Top Luminaire

Client: \_\_\_\_\_  
Project Name: \_\_\_\_\_

Order #: \_\_\_\_\_  
Type: \_\_\_\_\_ Qty: \_\_\_\_\_



### Performance Data

#### CRI

70+ (5000K)  
80+ (4000K and lower)

#### CCT

3000k, 3500K, 4000K, 5000K

#### L70 Rating

100,000+ Hours

#### Dimming

0-10V dimming standard,  
100% down to 10%

#### Operating Temperature

-40°C to +55°C Ambient

#### ETL Listed

Suitable for dry, damp,  
wet locations

<b>DSKY</b> Dark Sky Compliant	<b>UL</b> Listed	<b>10 Yr</b> Warranty Including Labor	<b>USA</b> Buy American Act Compliant
--------------------------------------	---------------------	---	---

### Description

The Sphere Top luminaire sets the standard in flexibility for architectural area lighting. Dome shaped, rugged, heavy-gauge, spun aluminum housing, and fully gasketed for weathertight integrity. Standard finish is dark bronze, but other architectural colors are available. The Sphere Top luminaire offers unparalleled variety in one family of fixtures. Ideal for streets, parking lots, and surrounding areas. U.L. listed and CSA certified for wet locations

### Features

- Spun-aluminum top is finished in polyester powder coat.
- Premium segmented optical modules.
- Heavy-duty, die-cast aluminum frame is the main load-bearing structure for arm, yoke or spider mountings.
- Thermal shock- and impact-resistant clear tempered flat glass.
- UL 1598 listed for wet locations.
- Standard color is bronze; also available in black and white. Contact factory for custom finishes.
- Die-cast aluminum door frame has concealed hinges and is flush with the bottom of the housing.
- Dark Sky compliant when ordered at 3000K

# D801-LED



### Ordering Information

#### A FIXTURE SERIES

D801-LED Sphere Top Luminaire

#### B WATTAGE | LUMENS

20	20W   2190 <sup>3</sup>
30	30W   3280 <sup>3</sup>
40	40W   4370 <sup>3</sup>
60	60W   6550 <sup>3</sup>
80	80W   8740 <sup>3</sup>
100	100W/10920 <sup>3,5</sup>
120	120W   13110 <sup>3,5</sup>

#### C CCT

30	3000K
35	3500K
40	4000K
50	5000K <sup>4</sup>

#### D VOLTAGE

UNV	120-277V
347	347V
480	480V (Step-Down Transformer used for 480V Divider)

#### E OPTICS

T2	Type 2
T3	Type 3
T5	Type 5 <sup>1</sup>

#### F MOUNTING

PM	Pole Mount
WM	Wall Mount
RPM	Round Pole Mount

#### G FINISH

BZ	Bronze <sup>1</sup>
BL	Black
WH	White
CU	Custom <sup>2</sup>

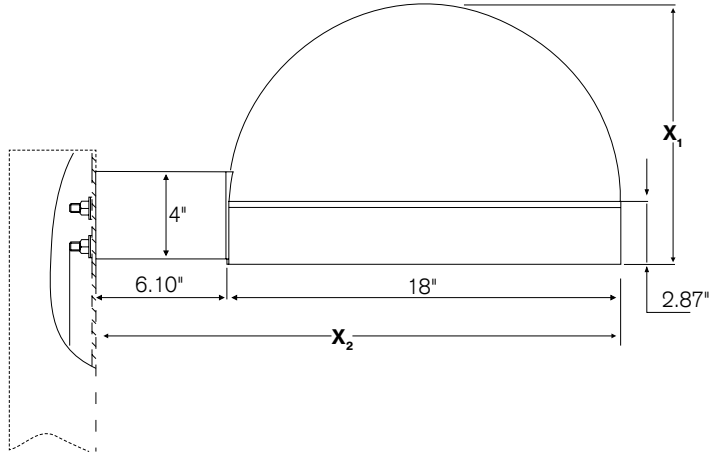
#### H OPTION

SM	Smart Dim <sup>*</sup>
PC	Photocell
WSF	Wired Single Fuse
WDF	Wired Double Fuse

Requires additional control device, see Page 3 for more info

- <sup>1</sup> Standard for fixture
- <sup>2</sup> Contact factory for custom finish
- <sup>3</sup> Delivered Lumens (5000K)
- <sup>4</sup> Standard Color Temp.
- <sup>5</sup> Smart Dim Available

## Dimensions

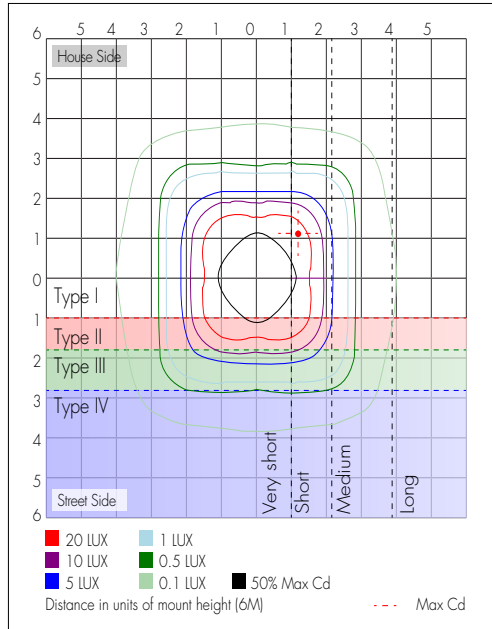


	Inches
$X_1$	11.88
$X_2$	25.19

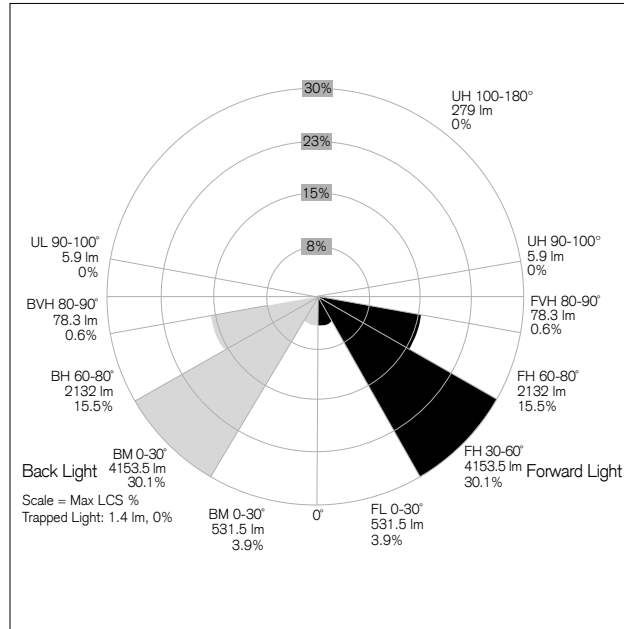
## Photometrics

Model 120W 5000K Type 5

Isolux-Plot



LCS-Graph



Zonal Lumen Summary

Zone	Lumens	%Luminaire
0-30	1,063.6	7.7%
0-40	2,380.2	17.3%
0-60	9,371.7	67.9%
60-90	4,420.0	32%
70-100	729.7	5.3%
90-120	6.1	0%
0-90	13,791.7	100%
90-180	6.1	0%
0-180	13,797.8	100%

**Smart Dim Options**

Please Note: The Smart Dim option requires a control device, such as a photocell or other centralized system, in order for the unit to function properly.

**Maximize energy-savings with the Dynadimmer 0-10V luminaire-based control for outdoor applications**

Dynadimmer 0-10V is a lamp control device that enables high energy savings with low installation efforts. The small, stand-alone, luminaire-based device can drive a 1-10V electronic ballast to facilitate on- demand light levels and does not require an additional switching wire. The Dynadimmer 0-10V dimming schedule is flexible with up to five dimming levels and five time periods. Easy-to-operate software and programming equipment enable end users to re-program dim times and levels when and as they wish. Offering energy-efficiency and flexibility, the Dynadimmer 0-10V control is ideal for residential, roadway, parking, and industrial applications.

VIEW FULL SENSOR SPEC SHEET BELOW:

[http://www.getdeco.com/wp-content/themes/deco-digital/pdf/PA-7320-B-Dynadimmer\\_v2\\_web.pdf](http://www.getdeco.com/wp-content/themes/deco-digital/pdf/PA-7320-B-Dynadimmer_v2_web.pdf)



**The Dynadimmer 0-10V solution offers:**

- Reduced energy usage through dimming
- Reduced light nuisance
- Very small size; fits inside almost any luminaire
- Easy-to-use software provides a forecast of energy savings

**Drilling Pattern**

