



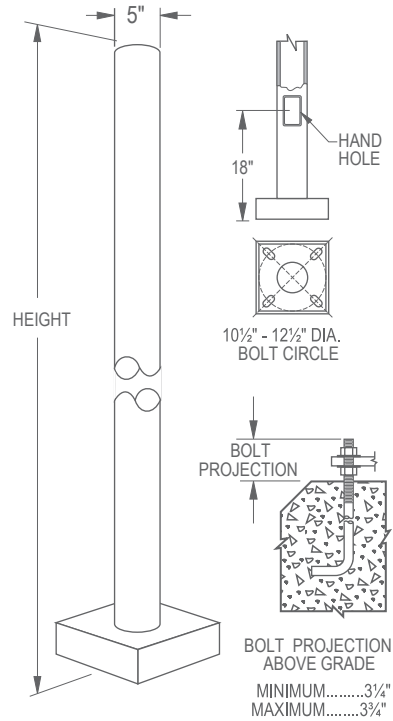
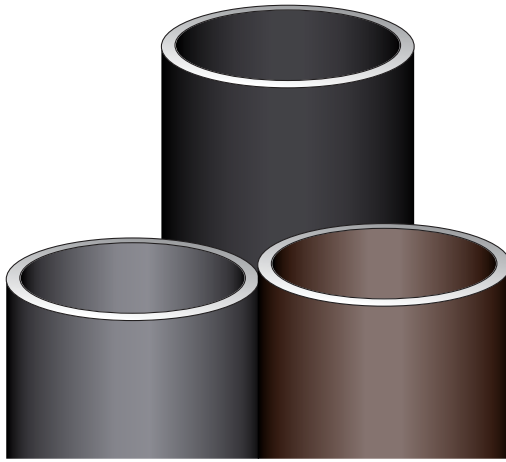
DECO | LIGHTING

DP5R

5" Round Steel Pole

Job Information

Type:	
Catalog #:	
Project:	
Comments:	
Prepared by:	



Ordering Information

Example: (DP5R-S-8125-TN238-DM1-BZ-PDR-GFI)

DP5R

Series	Size	Pole / Bolt Circle / Anchorage	Mounting	Drill Mount	Finish	Finish Options	Option
5" Round Pole	A Aluminum	16 16' (11 ga.) / 11 1/2" BC / 1" x 36" x 4"	TN238 2 3/8" x 4" Tenon	DM1 Drill Mount	BZ Bronze	GLV Galvanized	DUP Duplex Receptacle
		1811 18' (11 ga.) / 11 1/2" BC / 1" x 36" x 4"	TN278 2 7/8" x 4" Tenon	DM2180 Drill Mount	BL Black	PDR Thermoset	GFI GFI Receptacle
		187 18' (7 ga.) / 11 1/2" BC / 1" x 36" x 4"	OT Other Tenon Mt	DM180 Drill Mount	WH White	Polyester	T3120 3 Way Adapter
		2011 20' (11 ga.) / 11 1/2" BC / 1" x 36" x 4"		DM290 Drill Mount ¹	GY Grey	Powder	T490 4 Way Adapter
		207 20' (7 ga.) / 11 1/2" BC / 1" x 36" x 4"		DM390 Drill Mount ¹	GR Green		RBC Round Base Cover
		2511 25' (11 ga.) / 11 1/2" BC / 1" x 36" x 4"		DM490 Drill Mount ¹	CU Custom Paint (Consult Factory)		CPL12 1/2" Coupling ³
		257 25' (7 ga.) / 11 1/2" BC / 1" x 36" x 4"		DM3120 Drill Mount ²			CPL34 3/4" Coupling ³
	S Steel	8125 8' (.125) / 11 3/4" BC / 3/4" x 24" x 3"					CPL2 2" Coupling ³
		10125 10' (.125) / 11 3/4" BC / 3/4" x 24" x 3"					
		12125 12' (.125) / 11 3/4" BC / 3/4" x 24" x 3"					
		14125 14' (.125) / 11 3/4" BC / 3/4" x 24" x 3"					
		14188 14' (.188) / 11 3/4" BC / 3/4" x 24" x 3"					
		16125 16' (.125) / 11 3/4" BC / 3/4" x 24" x 3"					

¹DM290, DM390, DM490 require TN278 and T490 adapter

²DM3120 requires TN278 and T3120 adapter

³Specify coupling location

Deco Lighting practices a program of continuous product development, and as a result product specifications change frequently. We reserve the right to change product specifications without notice. Contact Deco for the latest product information.

©2018 Deco Lighting, www.getdeco.com T: (800) 613-DECO F: (310) 366-6855
Rev Date: 03/19/18 #2



Digitize your light.®



Features

- 5" diameter
- Shaft conforms to ATSM-A-501-68 specifications
- Shaft meets or exceeds minimum yield strength of 46,000 p.s.i., base meets or exceeds .minimum yield strength of 36,000 p.s.i.
- Steel wall thickness 11 ga (.120 wall) 7 ga. (.180 wall); aluminum wall thickness is .125 wall
- Reinforced hand hole is furnished with cover, shaft is furnished with ground lug located inside pole on wall opposite hand hole
- Base telescopes and is circumferentially welded to pole shaft
- Slotted bolt holes provide 1" flexibility on either side of bolt circle centerline
- (4) anchor bolts fabricated from hot rolled steel bar, minimum yield strength of 50,000 p.s.i.
- Bolts have "I" bend on one end and are threaded on the other end
- Bolts are fully galvanized and are furnished with two nuts and two washers
- Two piece cover conceals base
- Polyester powder coat

Engineering Data

Maximum EPA - Square Feet

Catalog Number	Maximum Fixt. wgt.	100 MPH	90 MPH	80 MPH	70 MPH
DP5R-S-16	200	8.1	10.0	12.6	15.8
DP5R-S-1811	175	6.5	8.1	10.0	12.6
DP5R-S-187	325	12.4	16.3	32.1	43.9
DP5R-S-2011	150	5.2	6.5	7.9	10.1
DP5R-S-207	275	10.1	14.9	22.3	32.5
DP5R-S-2511	125	4.1	5.9	7.6	10.9
DP5R-S-257	250	8.0	10.7	13.2	19.7
DP5R-S-8125	100	12.2	15.7	20.5	27.4
DP5R-A-10125	100	8.2	11.1	14.6	20.0
DP5R-A-12125	100	5.4	7.5	10.5	14.9
DP5R-A-14125	100	3.3	5.0	7.5	11.2
DP5R-A-16125	100	1.8	3.2	5.2	8.2
DP5R-A-16188	200	4.4	6.6	9.4	13.7
DP5R-A-18125	100	2.2	2.9	3.8	5.6
DP5R-A-18188	200	4.1	5.2	6.7	9.5
DP5R-A-20188	200	3.1	4.0	5.2	7.6

All above design calculations are based on sustained wind forces plus additional 1.3 wind gust(Example: Pole rated at 80 MPH withstands 104 MPH gusts)