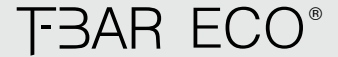


T-BAR ECO | Order Specification Guide



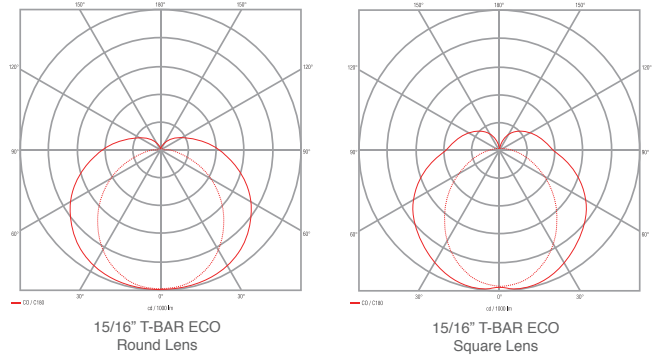
Product Name	Type of LED/K Color	Size	Grid Type	Optic	Mounting Clips	Driver
TBECOH = T-BAR ECO High Output 120-277V	HW = Warm White 3000K MW = Medium Warm 3500K MN = Medium Neutral 4000K	2 = 2 ft 4 = 4 ft 4L = 4 ft L 6 = 60 cm 12 = 120 cm 12L = 120 cm L	24 = 15/16"	DW = Diffuser White Round DWS = Diffuser White Square	U = Universal A = Armstrong	UNV = Universal 120-277V

www.jlc-tech.com/patents

CRI = >82 L₉₀ > 60K hrs IP40

Type	Lumens*	Watts	lm/W*	lm/ft*
TBECOL-2	949	6.4	147	474
TBECOL-4	1898	12.5	152	474
TBECOH-2	1328	9.4	140	664
TBECOH-4	2669	17.9	149	667

***4000K**



NOTES:

T-BAR ECO is a high efficiency LED fixture with integral driver, accepting universal voltage input and 0-10V dimming, offering uniform and diffuse light. Mounted junction box includes driver and compartment for AC input direct wiring and dimming connection. Fixture must be installed in accordance with local electrical codes.

APPLICATIONS:

Executive, Medical, Health, Educational, Retail, Hotels, Airport, Hospitality and any open space areas that require a unique and elegant architectural lighting design.

MOUNTING:

Universal mounting brackets for easy installation to standard 15/16" T-Bars of most manufacturers' ceiling suspension systems. Armstrong compatible mounting clips for installation with Armstrong Ceiling 15/16" Prelude® and Clean Room™ suspension systems.

MATERIALS:

Anodized aluminum extruded body, steel mounting clips, white PC end caps, high transmitting acrylic PMMA lens.

ELECTRIC:

Universal input voltage of 120V - 277VAC. Junction box installed on fixture with integral driver for connection to line voltage and dimming system. 90% LED lumen maintenance at 60,000hrs (L₉₀ > 60k hrs)

WARRANTY:

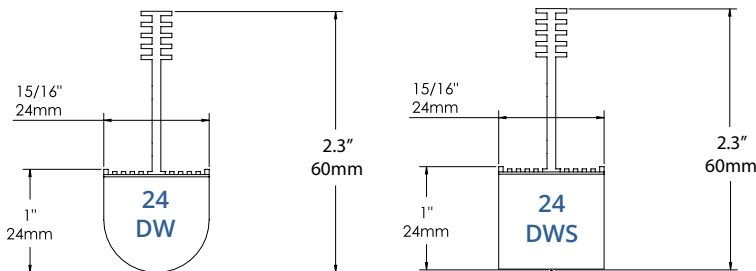
5 years limited warranty. For complete warranty terms, please visit our website.

LISTINGS:

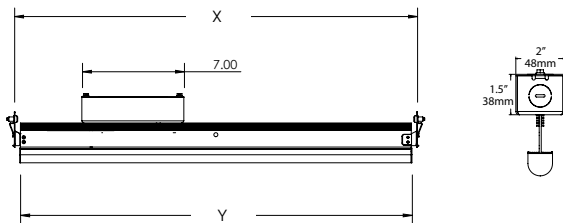
ETL/cETLus CE RoHS Indoor use only. IC rated



Profile Dimensions



Length Dimensions



Size	Grid Type	X	Y
2 = 2ft	24 = 15/16"	24"	23"
4 = 4ft	24 = 15/16"	48"	47"
4L = 4ft L	24 = 15/16"	48"	24"