

GEMINI Single Lens | Order Specification Guide



Product Name	LED/K Color	Light Output*	Size	Grid Type	Optic	Mounting Clips	Color	Driver
GEMS = GEMINI Single Lens	HW = 3000K	500 = 500 lm/ft	2 = 2 ft	24 = 15/16"	DW = Diffused White	U = Universal C = Custom	W = White C = Custom	UNV = 120-277 Vac 0-10V dimming
	MW = 3500K	750 = 750 lm/ft	4 = 4 ft	15 = 9/16"				
	MN = 4000K	1000 = 1000 lm/ft	5 = 5 ft	15B = 9/16" Bolt Slot				
	HN = 4500K		6 = 60 cm					
	CN = 5000K		12 = 120 cm					

www.jlc-tech.com/patents

*Additional lighting outputs available, consult factory.



CRI = >82 L₈₀ > 60K hrs IP40

NOTES:

GEMINI Single Lens is designed to provide a 4" linear downlight on-center to the grid with integrated cross tees, by replacing standard cross members in a suspended ceiling; without the need to build a custom opening in the grid ceiling.

APPLICATIONS:

Executive, Medical, Health, Educational, Retail, Hotels, Airport, Hospitality and any open space areas that require a unique and elegant architectural lighting design.

MOUNTING:

Universal mounting brackets are for easy installation to standard 15/16" or 9/16" T-Bars of most manufacturers' ceiling suspension systems.

MATERIALS:

Painted aluminum extruded body, steel mounting clips, painted steel end caps, high transmitting acrylic PMMA lens.

ELECTRIC:

Universal input voltage of 120 – 277VAC. Junction box installed on fixture with integral driver and wire nuts inside for connection to branch circuit and 0-10V dimming system. Fixture must be installed in accordance with local electrical codes.

WARRANTY:

5 years

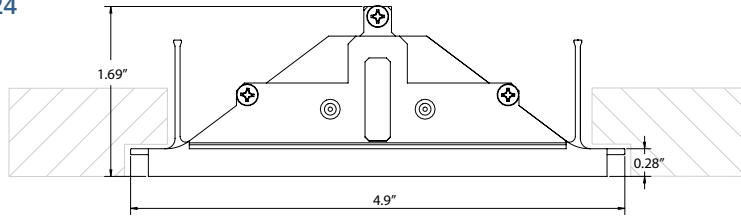
LISTINGS:

ETL/cETLus CE RoHS. Indoor use only. IC Rated.

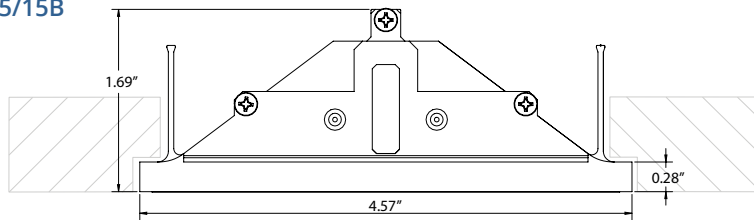


Dimensions

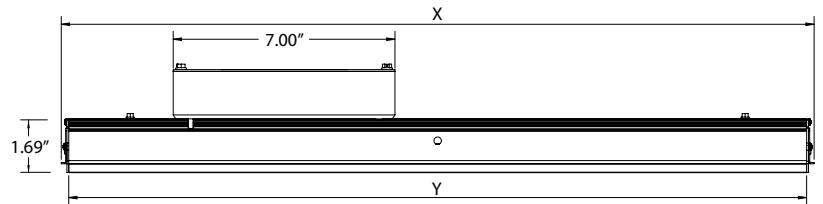
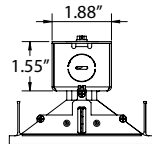
24



15/15B



JB Installed on top (provided)



24

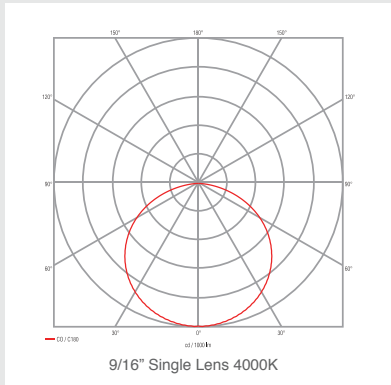


15/15B



Size	Grid Type	X	Y
2 = 2ft	24 = 15/16"	24"	23"
4 = 4ft	24 = 15/16"	48"	47"
5 = 5ft	24 = 15/16"	60"	59"
2 = 2ft	15 = 9/16"	24"	23.4"
4 = 4ft	15 = 9/16"	48"	47.4"
5 = 5ft	15 = 9/16"	60"	59.4"

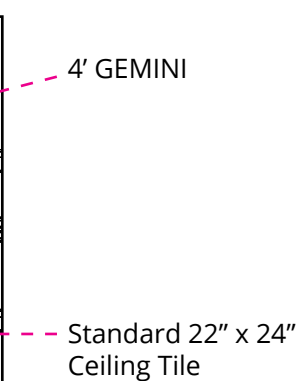
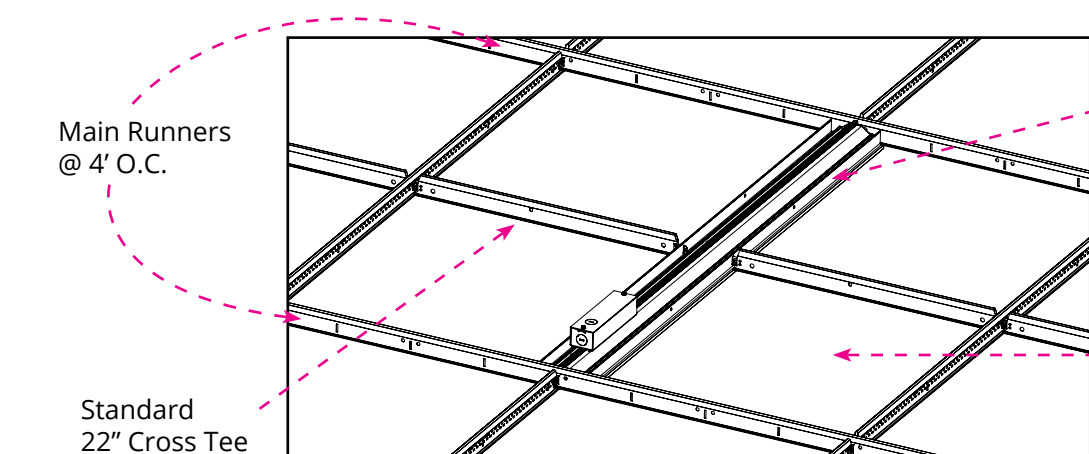
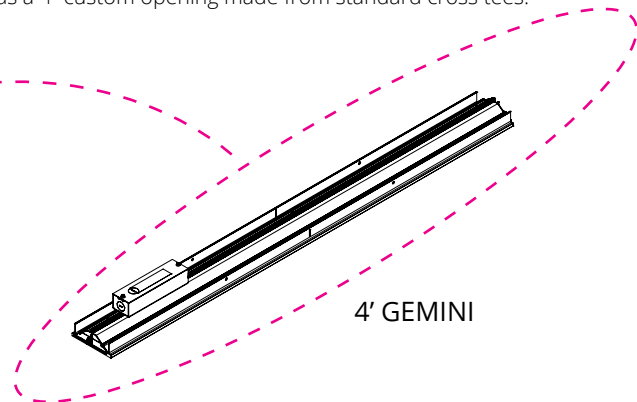
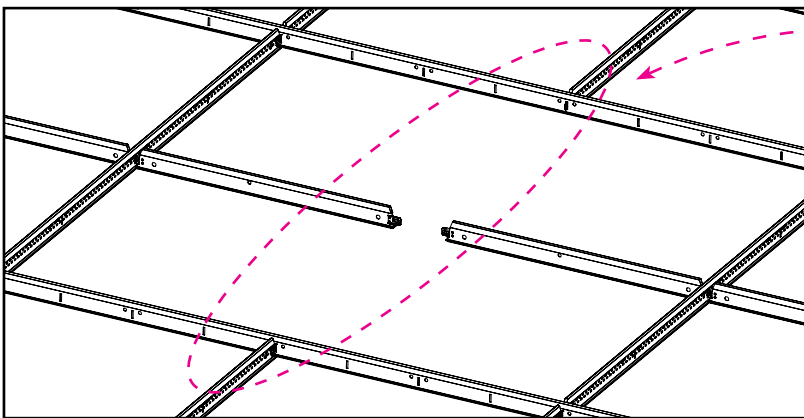
PHOTOMETRICS



Code Selection	Output (lm/ft)	Power (watts/ft)	Efficacy (lm/W)
500 = 500 lm/ft	542	4.6	117
750 = 750 lm/ft	813	7.2	113
1000 = 1000 lm/ft	1085	9.4	115

TYPICAL INSTALLATION

GEMINI Single Lens is designed to provide a 4" full wide single lens linear downlight on-center to the grid with integrated cross tees, by replacing standard cross members in a suspended ceiling; without the need to build a custom opening in the grid ceiling. Utilizing standard grid ceiling components, the GEMINI installs into the ceiling location typically occupied by a 2ft, 4ft or 5ft cross tee. The integrated outer cross tees on the GEMINI allow for all common ceiling accessories to seamlessly install as if there was a 4" custom opening made from standard cross tees.



Main Runners @ 4' O.C.

Standard 22" Cross Tee

4' GEMINI

Standard 22" x 24" Ceiling Tile