

PROJECT: \_\_\_\_\_ TYPE: \_\_\_\_\_ CAT. #: MA- - - - -

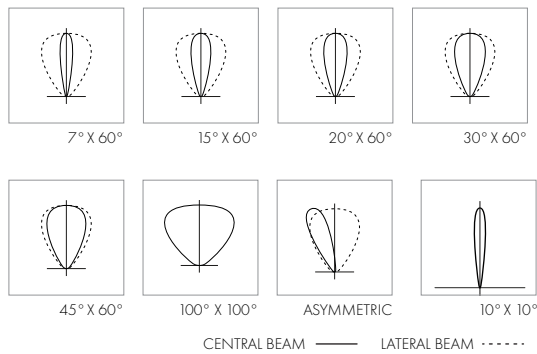
## PROFILE

LIGHT SOURCE	LOW OUTPUT (3.5W/FT), MEDIUM OUTPUT(9.0 W/FT, HIGH OJTPUT (17.0 W/FT)
OPTICS	7°X60°, 15°X60°, 30°X60°, 45°X60°, 100°X100°, 10°X10°, ASYMMETRIC
CCT	2700K, 3000K, 3500K, 4000K
STATIC COLOR	RED, GREEN, BLUE, AMBER
CRI	82
PERFORMANCE	UP TO 54636 PEAK CANDELA
VOLTAGE	UNIVERSAL 120-277 V
POWER	INTEGRATED POWER SUPPLY
CONTROL	0-10V, DMX, LUTRON ECO-SYSTEM
LENGTHS	12", 24", 36", 48", 60", 72", 84", 96"
HOUSING	PRECISION EXTRUDED ALUMINUM
END CAPS	STAMPED ALUMINUM
LENS	HIGH PERFORMANCE ACRYLIC
FINISH	HIGH DURABILITY POWDER COATING
OPERATING TEMP	-20°C TO 40°C
WARRANTY	5-YEAR LIMITED
LUMEN MAINTENANCE	75,000 HOURS
CERTIFICATION	ETL AND cETL FOR DRY LOCATION

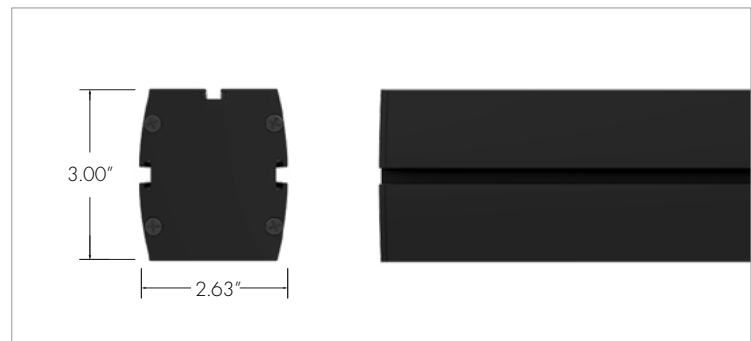


## OPTICS

NOT ALL AVAILABLE OPTICS SHOWN



## DIMENSIONS

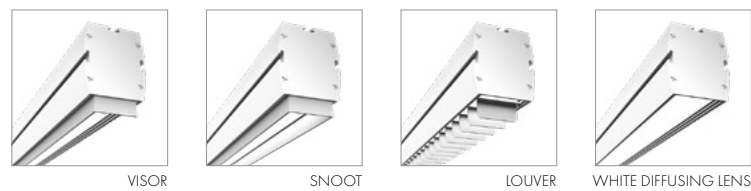


## PERFORMANCE SUMMARY

4000K, HO, 48"	LUMENS	PEAK CANDELA
7° X 60°	4706	54636
15° X 60°	4235	26968
30° X 60°	4297	15475
45° X 60°	4015	6189
100° X 100°	5689	2068

## ACCESSORIES / OPTIONS

NOT ALL AVAILABLE OPTIONS SHOWN





PROJECT:	TYPE:	CAT. #:	MA - - - - -
----------	-------	---------	--------------

**PERFORMANCE**

LENGTH	OPTIC	LOW OUTPUT			MEDIUM OUTPUT			HIGH OUTPUT		
		DELIVERED LUMENS	LUMINARE EFFICACY	PEAK CANDELA	DELIVERED LUMENS	LUMINARE EFFICACY	PEAK CANDELA	DELIVERED LUMENS	LUMINARE EFFICACY	PEAK CANDELA
48"	7X60	1086 lm	67 lm/W	12011	3293 lm	58 lm/W	38245	4706 lm	55 lm/W	54636
	15X60	974 lm	60 lm/W	6202	2964 lm	52 lm/W	18878	4235 lm	50 lm/W	26968
	30X60	988 lm	61 lm/W	3559	3008 lm	53 lm/W	10833	4297 lm	51 lm/W	15475
	45X60	923 lm	57 lm/W	1423	2811 lm	49 lm/W	4332	4015 lm	48 lm/W	6189
	100X100	1430 lm	79 lm/W	522	4616 lm	70 lm/W	1706	5689 lm	68 lm/W	2068
	ASY	-	-	-	-	-	-	3616 lm	58 lm/W	4432
	10X10 (SYM)	-	-	-	-	-	-	4347 lm	68 lm/W	51530

**FIXTURES PER CIRCUIT**

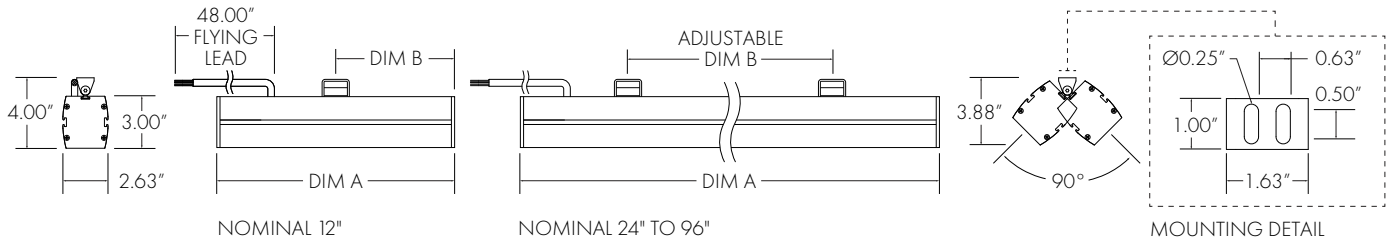
FIXTURE LENGTH	LOW OUTPUT (3.5 W/FT)		MEDIUM OUTPUT (9.0 W/FT)		HIGH OUTPUT (17.0 W/FT)	
	120V	277V	120V	277V	120V	277V
12"	446	1029	173	400	91	211
24"	223	514	86	200	45	105
36"	149	343	57	133	30	70
48"	111	257	43	100	22	52
60"	89	206	34	80	18	42
72"	74	171	28	66	15	35
80"	64	147	24	57	13	30
96"	56	129	21	50	11	26

PROJECT:	TYPE:	CAT. #:	MA - - - - -
----------	-------	---------	--------------

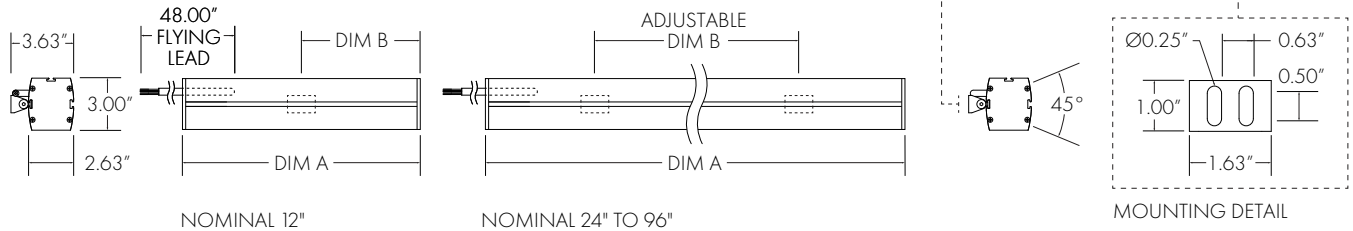
## DIMENSIONS

LENGTH	12"	24"	36"	48"	60"	72"	84"	96"
DIM A	13.88"	24.44"	36.44"	48.44"	60.44"	72.44"	84.44"	96.44"
DIM B	7" CENTER	12" TO 21"	18" TO 33"	24" TO 45"	30" TO 57"	36" TO 69"	42" TO 81"	48" TO 93"
DIM C	7" CENTER	12" TO 16"	18" TO 28"	24" TO 40"	30" TO 52"	36" TO 64"	42" TO 76"	48" TO 88"

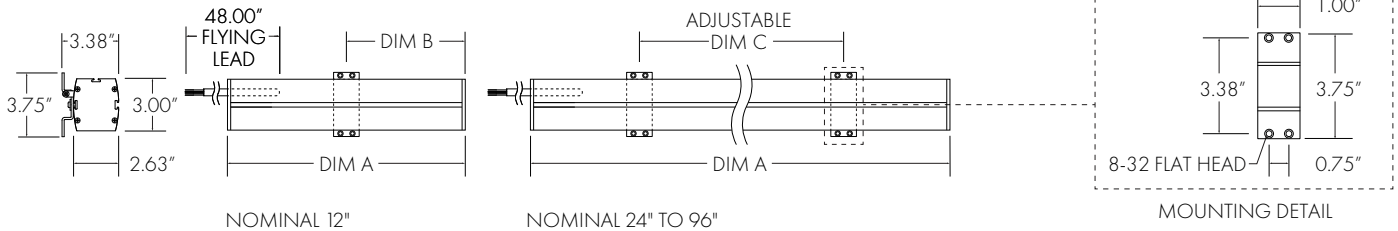
## CEILING / GROUND (CMS)



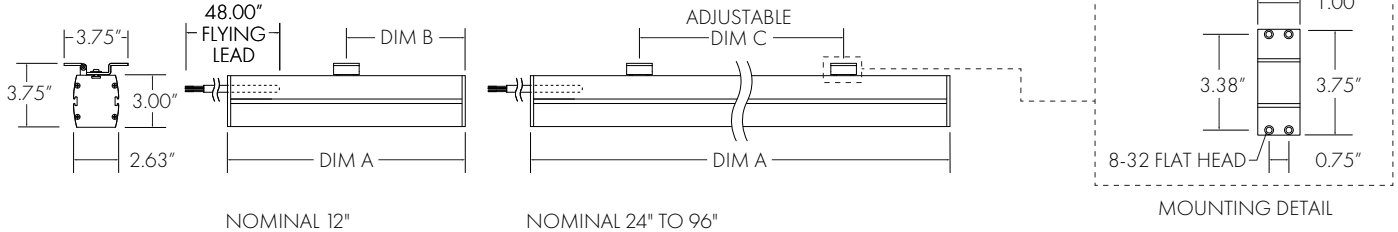
## WALL MOUNT (WMS)



## FIXED WALL MOUNT (FMS)



## FIXED CEILING MOUNT (FMC)

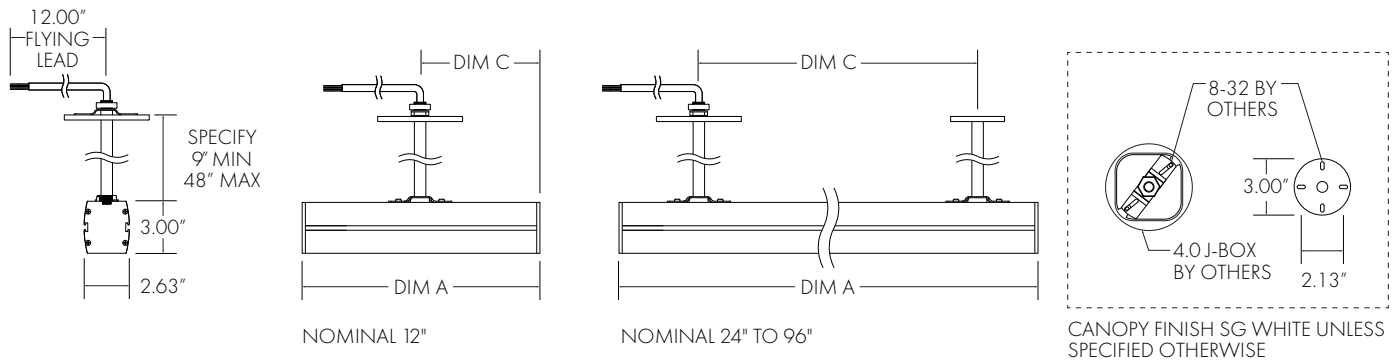


PROJECT:	TYPE:	CAT. #:	MA - - - - -
----------	-------	---------	--------------

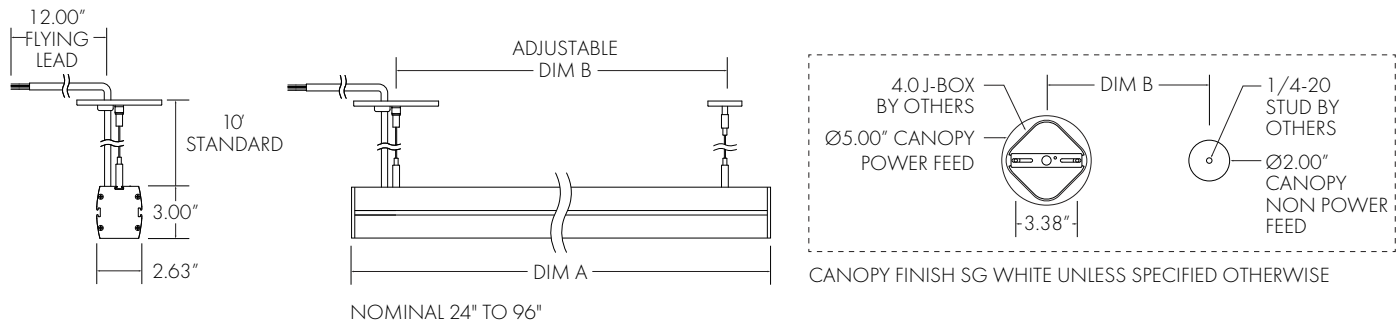
## DIMENSIONS

LENGTH	12"	24"	36"	48"	60"	72"	84"	96"
DIM A	13.88"	24.44"	36.44"	48.44"	60.44"	72.44"	84.44"	96.44"
DIM B	7" CENTER	12" TO 18"	18" TO 30"	24" TO 42"	30" TO 54"	36" TO 66"	42" TO 78"	48" TO 90"
DIM C	7" CENTER	18.25"	30.25"	42.25"	54.25"	66.25"	78.25"	90.25"

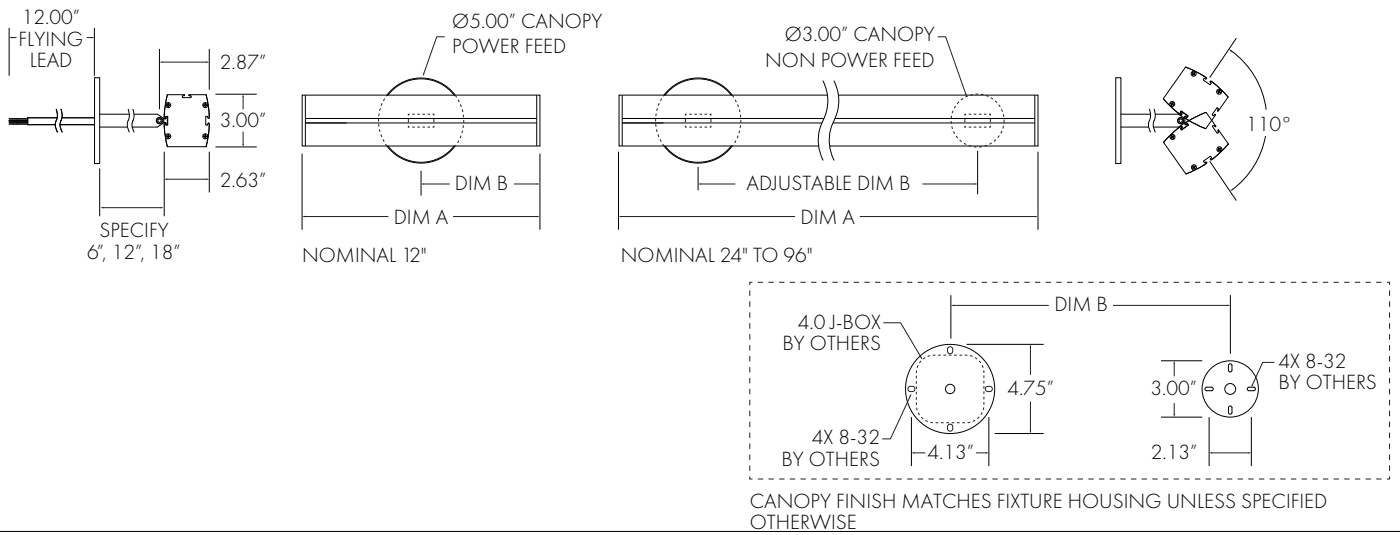
## PENDANT (PNS)



## AIRCRAFT (ACS)

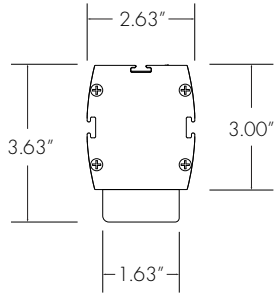


## EXTENDED ARM (EAS)

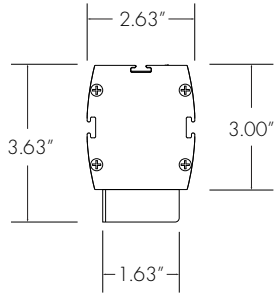


PROJECT: \_\_\_\_\_ TYPE: \_\_\_\_\_ CAT. #: MA - - - - -

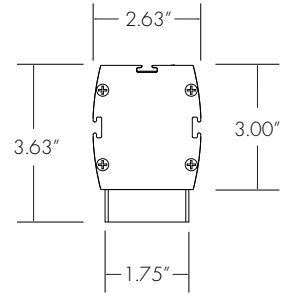
**LOUVER**



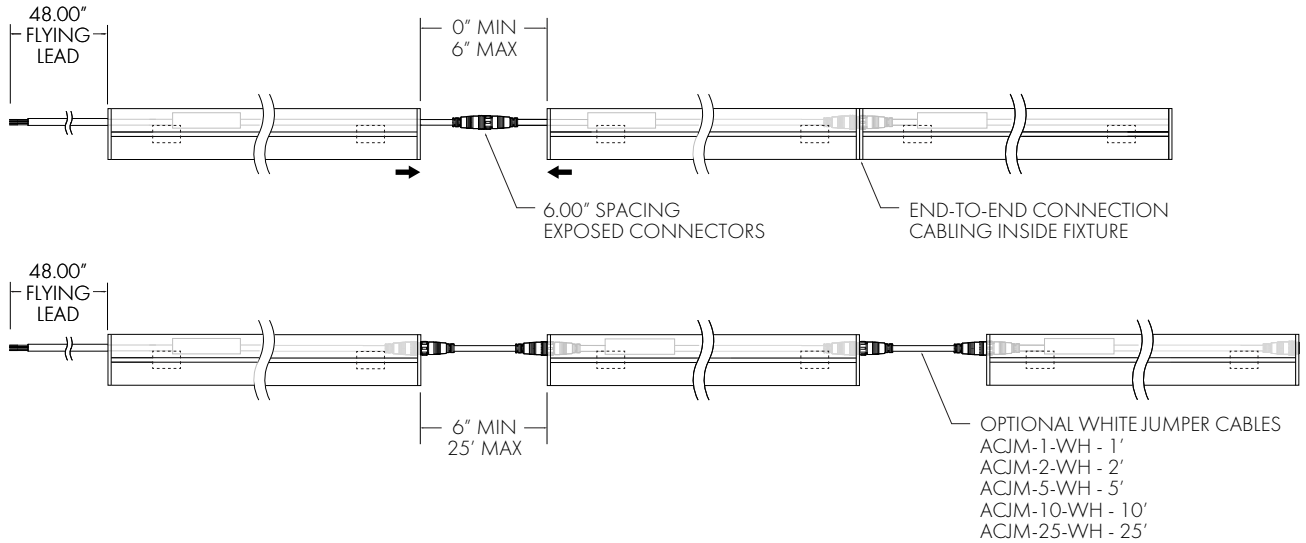
**VISOR**



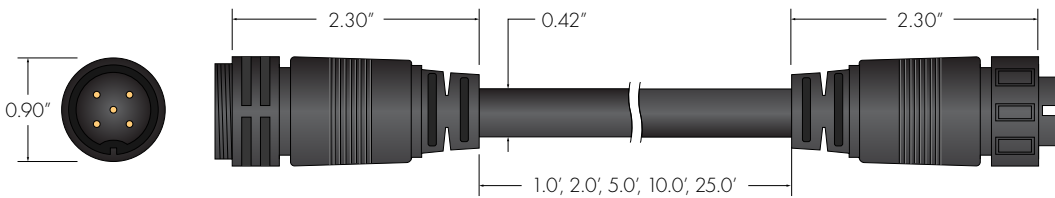
**SNOOT**



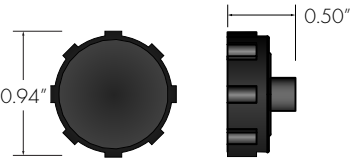
**PLUG & PLAY CONNECTION (ACV1/ACV2) - AVAILABLE WITH ALL MOUNTINGS (ACS SHOWN)**



**AC JUMPER (JC)** WHITE/BLACK | 5x16AWG | 105 °C | 300V | IP67



**AC CAP (EL11447)** WHITE/BLACK | 105 °C | 300V | IP67



**AC TERMINATOR (EL11586)** WH/BL | 105 °C | 300V

