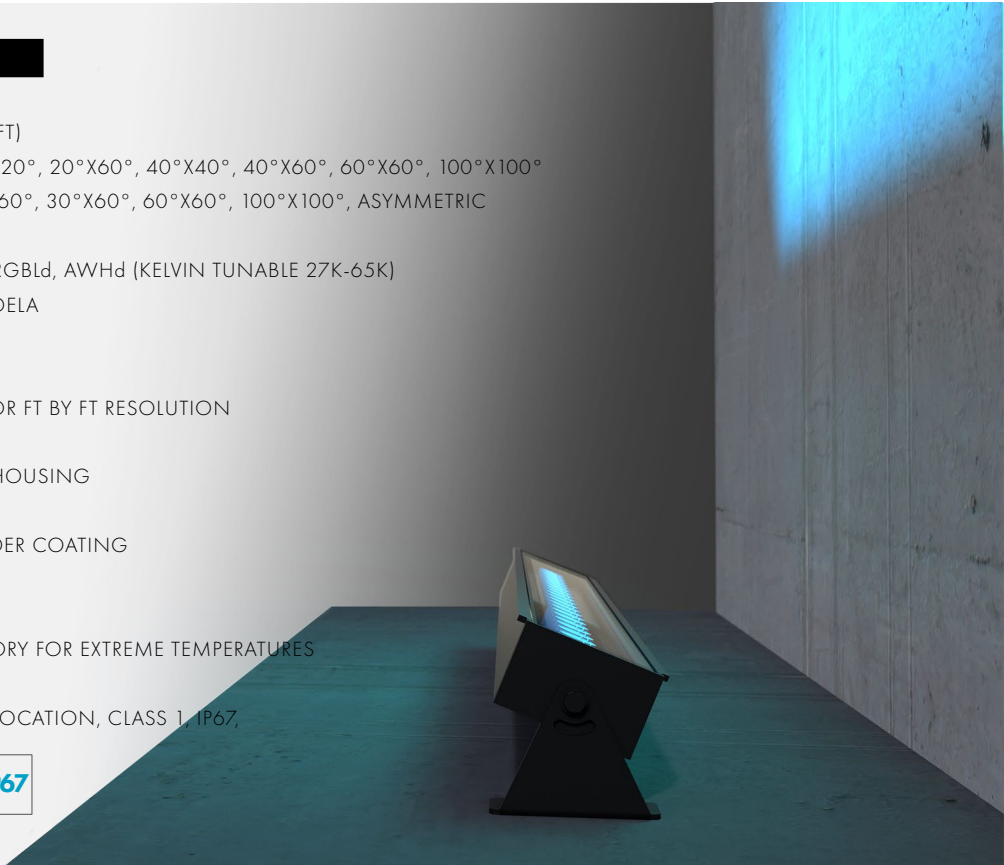


PROJECT:	TYPE:	CAT. #: Mxi - - - - CES - - - REM - - -
----------	-------	---

PROFILE

LIGHT SOURCE	HIGH OUTPUT (17.0 W/FT)
QUAD CHIP OPTICS	10°X10°, 10°X60°, 20°X20°, 20°X60°, 40°X40°, 40°X60°, 60°X60°, 100°X100°
DISCRETE CHIP OPTICS	10°X10°, 10°X60°, 15°X60°, 30°X60°, 60°X60°, 100°X100°, ASYMMETRIC
QUAD CHIP CCT	RGBWq, RGBAq, RGBLq
DISCRETE CHIP CCT	RGBd, RGBWd, RGBAd, RGBLd, AWHd (KELVIN TUNABLE 27K-65K)
PERFORMANCE	UP TO 25313 PEAK CANDELA
VOLTAGE	UNIVERSAL 120-277 V
POWER	REMOTE POWER SUPPLY
CONTROL	DMX FIXTURE, SYSTEM, OR FT BY FT RESOLUTION
DIMENSIONS	2.70" X 2.30"
HOUSING	EXTRUDED ALUMINUM HOUSING
LENS	TEMPERED GLASS
FINISH	HIGH DURABILITY POWDER COATING
WARRANTY	5-YEAR LIMITED
OPERATING TEMP	-20°C TO 50°C PLEASE CONTACT FACTORY FOR EXTREME TEMPERATURES
LUMEN MAINTENANCE	75,000 HOURS
CERTIFICATION	ETL AND cETL FOR WET LOCATION, CLASS 1, IP67,

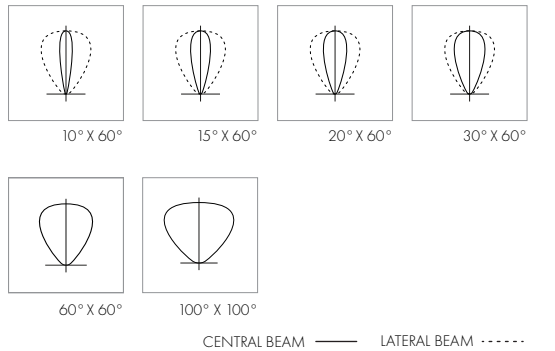


STANDARD FINISHES

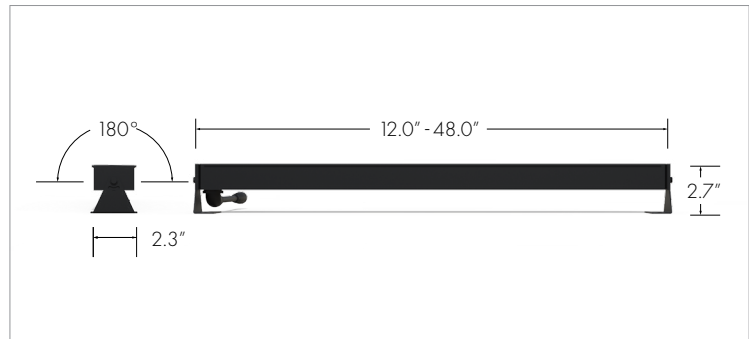


OPTICS

NOT ALL AVAILABLE OPTICS SHOWN



DIMENSIONS



ACCESSORIES / OPTIONS

NOT ALL AVAILABLE OPTIONS SHOWN



LOUVER

PROJECT:	TYPE:	CAT. #:	MXi - - - - - CES - - - REM - - -
----------	-------	---------	-----------------------------------

ORDERING INFORMATION

MXi					CES		REM			separate options with dashes
-----	--	--	--	--	-----	--	-----	--	--	------------------------------

1	2	3	4	5	6	7	8	9	10	11
---	---	---	---	---	---	---	---	---	----	----

1 FIXTURE	
MEDLEY Xi SERIES	MXi

2 WATTAGE	
HIGH	HO
170 W/FT	

3 CCT	
QUAD LED CHIP	
RED, GREEN, BLUE, 40K	RGBWq
RED, GREEN, BLUE, AMBER	RGBAg
RED, GREEN, BLUE, LIME	RGBLq

DISCRETE LED CHIP	
RED, GREEN, BLUE, 40K	RGBWd
RED, GREEN, BLUE, AMBER	RGBAd
RED, GREEN, BLUE, LIME	RGBLd
ACTIVE WHITE	AWHd
Kelvin tunable 2700K-6500K	

4 OPTICS	
QUAD LED CHIP	
10° X 10°	1010
10°X10° optic is intended for a 6" fixture setback from the source	
10° X 60°	1060
20° X 20°	2020
20° X 60°	2060
40° X 40°	4040
40° X 60°	4060
60° X 60°	6060
100° X 100°	100100

10° X 10°
10°X10° optic is intended for a 6" fixture setback from the source

10° X 60°	1060
20° X 20°	2020
20° X 60°	2060
40° X 40°	4040
40° X 60°	4060
60° X 60°	6060
100° X 100°	100100

DISCRETE LED CHIP

10° X 10°	1010
10°X10° optic is intended for a 6" fixture setback from the source	
10° X 60°	1060
15° X 60°	1560
30° X 60°	3060
60° X 60°	6060
100° X 100°	100X100
ASYMMETRIC	ASY

5 LIGHT DIRECTION	
UPLIGHT	U
DOWNLIGHT	D

6 MOUNTING	
CLOSE END	CES

7 FIXTURE LENGTH	
12"	12
24"	24
36"	36
48"	48
nominal lengths	

8 POWER SUPPLY	
REMOTE POWER SUPPLY	REM
Power supply must be ordered separately	

9 CONTROL OPTIONS	
DMX FT BY FT RESOLUTION	DMXFT
DMX FIXTURE RESOLUTION	DMXFX
DMX SYSTEM RESOLUTION	DMXSY

DMX controls are required and must be ordered separately.
Requires a DMX Kit see below.

Default factory programming setting is System Resolution. All fixtures are shipped from the factory with default channels 1-4.

Please contact factory for factory pre-addressing and labeling of fixtures.

10 FINISH	
TEXTURED WHITE	TW
TEXTURED BLACK	TBL
TEXTURED BRONZE	TBR
TEXTURED LIGHT BRONZE	TLB
TEXTURED NATURAL	TN
TEXTURED SANDSTONE	TS

CUSTOM COLOR CC
contact factory for custom color additional charges will apply

11 OPTIONS	
LOUVER	LV
must be ordered with fixture	
CORROSION RES. FINISH	CRF
corrosion resistant finish recommended for coastal or extreme weather environments	

POWER SUPPLY & CONTROL ORDER OPTIONS

REMOTE POWER SUPPLY OPTIONS - WET LOCATION - REQUIRED

100W 0-10V DATA POWER SUPPLY (120-277V)	RPS/100/DAT/WET
600W 0-10V DATA POWER SUPPLY (120-277V)	RPS/600/DAT/WET

Due to remote power supply application variances, it is recommended to not exceed 80% of the RPS Power Supply's total wattage capacity. For specific and case by case requirements, please contact factory for assistance.

DMX DISTRIBUTION & PROGRAMMING KIT - REQUIRED

DMX/RDM DISTRIBUTION KIT (3 OUTPUTS) - IP67	CDS-RDM
DMX/RDM DISTRIBUTION KIT consists three outputs. Each output is limited to (1) run per output, up to 32 fixtures max. Three terminators are included for end of line termination.	

[go to dmx guide >](#)

RDM TOOL - OPTIONAL

DMX/RDM PROGRAMMING TOOL	RDM
A DMX/RDM measurement and test tool. Allows for RDM addressing and monitoring of Insight Lighting (and 3rd party) products that have RDM capability while also being able to test all elements of the DMX data signal to ensure proper system operation.	

PROJECT:	TYPE:	CAT. #: Mxi - - - - CES - - - REM - - -
----------	-------	---

PERFORMANCE

48" LENGTH

LED CHIP & WATTAGE	OPTIC	DELIVERED LUMENS	LUMINARE EFFICACY	PEAK CANDELA
RGBWq HIGH OUTPUT 17W/FT	10X10	2831 lm	33 lm/W	28814
	10X60	2545 lm	37 lm/W	8024
	20X20	3027 lm	42 lm/W	16233
	20X60	2734 lm	38 lm/W	6147
	40X40	3004 lm	44 lm/W	4282
	40X60	2693 lm	39 lm/W	2645
	60X60	2678 lm	36 lm/W	2172

FIXTURES PER CIRCUIT

HIGH OUTPUT (17 WATTS/FT)

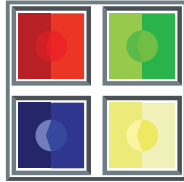
FIXTURE LENGTH	120V	277V
12"	92	212
24"	46	106
36"	31	71
48"	23	53

PROJECT:	TYPE:	CAT. #: Mxi - - - - CES - - - REM - - -
----------	-------	---

LED ARRAY OPTIONS

QUAD CHIP (RGBWq, RGWLq, RGBAq)

The Quad Array integrates multiple colors (ie; red, green, blue, white) into a single location for immediate and superior color saturation. This is ideal for direct line of sight applications where the face of the fixture is visible, creating color consistency between the luminaire and the illuminated surface. LED color combinations may be customized to suit any application (ex: royal blue, cyan, lime and white). Please contact factory for special branding requirements.



DISCRETE CHIP (RGBd, RGBWd, AWHd)

The discrete LED array utilizes individual secondary optics per led color (ie; red, green, blue, white). This array increases optical performance from 4° to 60° allowing for superior beam control and increased efficiency. The increased optical control allows for maximum peak candela, allowing longer throws.

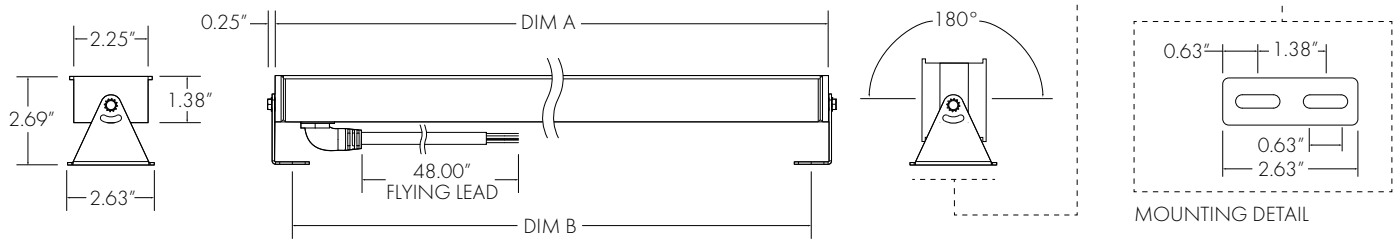


PROJECT:	TYPE:	CAT. #:	MXi - - - - - CES - - - REM - - -
----------	-------	---------	-----------------------------------

DIMENSIONS

LENGTH	12"	24"	36"	48"
DIM A	13.50"	24.50"	37.50"	49.50"
DIM B	12.44"	24.44"	36.44"	48.44"

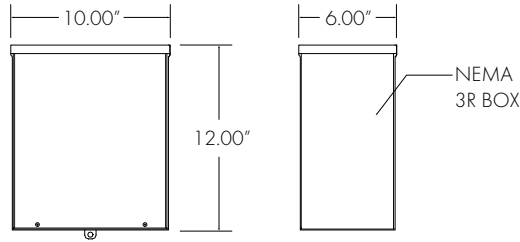
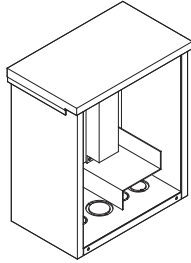
CEILING / GROUND (CMS)



PROJECT:	TYPE:	CAT. #: Mxi - - - - CES - - - REM - - -
----------	-------	---

ORDERING INFORMATION

RPS 100W POWER SUPPLY WET LOCATION | 120V-277V | 50/60HZ | 24VDC OUTPUT | -40°C TO 54°C



RPS 600W POWER SUPPLY WET LOCATION | 120V-277V | 50/60HZ | 30VDC OUTPUT | -40°C TO 54°C

